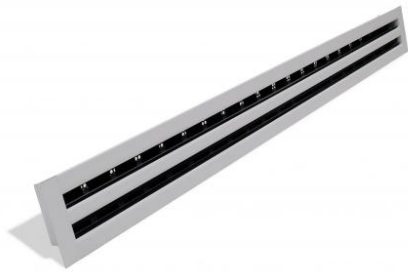


# EDFL EDFLB Linear slot diffusers with deflectors



## Description

Linear slot diffuser with aerodynamic aluminium profile and adjustable deflectors for optimal air throw control.  
Also available with sliding regulation damper.

## Characteristics

Material: aluminium.  
EDFL finish: natural anodised aluminium frame and black painted aluminium deflectors.  
EDFLB finish: white RAL 9016 painted aluminium frame and deflector.

Slots: from 1 to 4 in standard version, 5 or 6 on request.

Installation: directly on duct or by means of a plenum with a fixing bracket system.

Possible dimensions in one piece:  
- minimum length 300 mm;  
- maximum length 2000 mm.

## Use

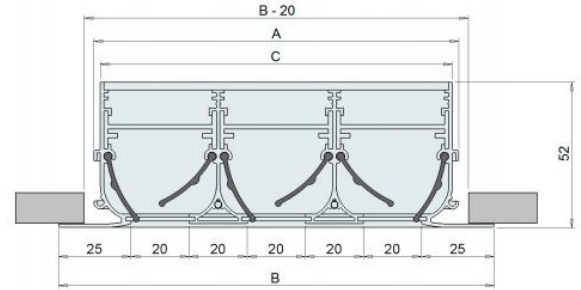
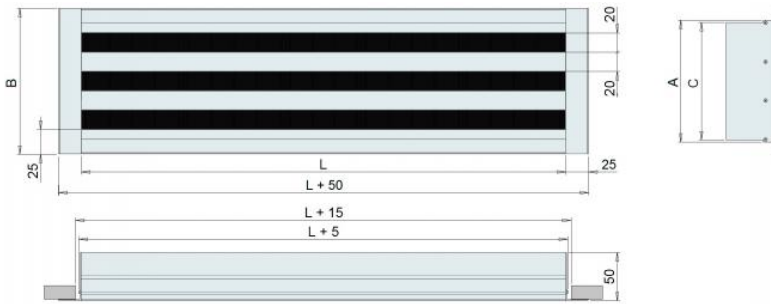
Diffuser suitable for both air supply and exhaust in large rooms. Its modularity allows for great freedom of design.

## Models

EDFL-10 return diffusers (without deflectors).  
EDFL-20 supply diffusers with black deflectors.  
EDFLB-20 white RAL9016 supply diffusers with white deflectors.  
EDFL-30 return diffusers with damper.  
EDFL-40 supply diffusers with black deflectors and sliding damper.  
EDFLB-40 white RAL9016 supply diffusers with white deflectors and sliding damper.  
EDFL-50 supply diffusers with black deflectors, equaliser and sliding damper.  
EDFLB-50 white RAL9016 supply diffusers with white deflectors, equaliser and sliding damper.

## Accessories

- galvanised plenum box;
- insulated plenum box;
- 90° corner connection;
- mounting bridges;
- continues line kit.



## Linear diffuser dimensions

All dimensions are expressed in mm

Number of slots	L	A	B	C	number of fixing brackets
1 slot	600	46	70	41	2
	800				2
	1000				2
	1200				2
	1500				2
	2000				2
2 slots	600	86	110	81	2
	800				2
	1000				2
	1200				2
	1500				2
	2000				2
3 slots	600	126	150	121	2
	800				2
	1000				2
	1200				2
	1500				2
	2000				3
4 slots	600	166	190	161	2
	800				2
	1000				2
	1200				2
	1500				2
	2000				3

## Operating data

Data referring to 1m long diffusers, with a terminal throw velocity  $V_t=0.25$  m/s and with a temperature differential of 10/12°C, in ceiling installations and with lateral air throw.

Data referring to diffusers without damper or with open sliding damper.

Data referring to diffusers with deflectors in the working position with a 50% reduction of the air passage surface.

The position of the deflectors reduces the effective cross-section. When the deflectors are fully open or when the diffuser is used for air exhaust, the flow rates expressed in  $m^3/h$  indicated in the table may be higher.

Vk: effective speed (m/s)

$m^3/h$ : air flow rate

Pa: pressure drops in Pascal

L(m): air throw in metres

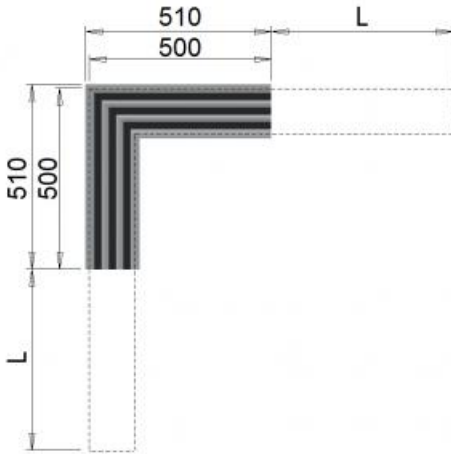
dB(A): noise level

Number of slots	effective cross-section $m^2$	air flow rate and throw						
		$m^3/h$						
1 slot	0,0097	$m^3/h$	70	105	140	175	210	245
		L(m)	1.8	2.7	3.6	4.5	5.4	6.3
2 slots	0,0194	$m^3/h$	140	210	280	350	420	490
		L(m)	2.5	3.8	5	6.3	7.5	8.8
3 slots	0,0291	$m^3/h$	210	315	420	525	630	735
		L(m)	3	4.7	6	7.8	9.3	11
4 slots	0,0388	$m^3/h$	280	420	560	700	840	980
		L(m)	3.5	5.4	7	9	11	12.6
	Vk	m/s	2	3	4	5	6	7
	pressure drops	Pa	8	15	26	40	55	70
	noise level	dB(A)	<20	22	32	37	44	48

## Corner connection

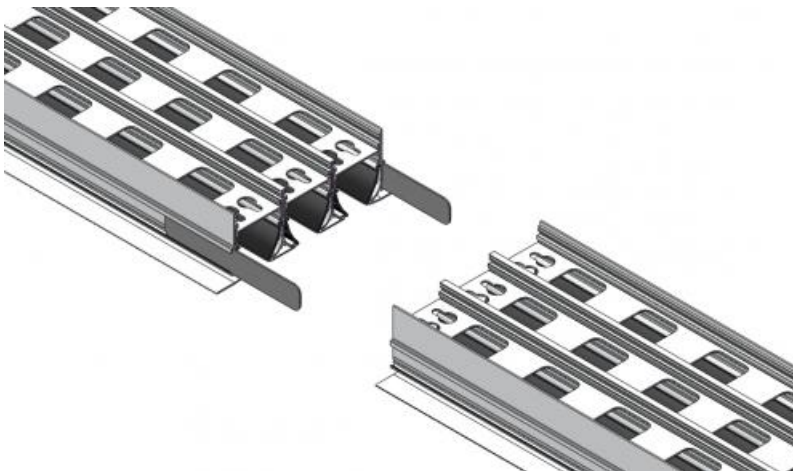
Aesthetic connecting element between the two linear diffuser lines with a 90° angle and 500 mm length on each side. It has no ventilation features.

All measurements are expressed in mm.

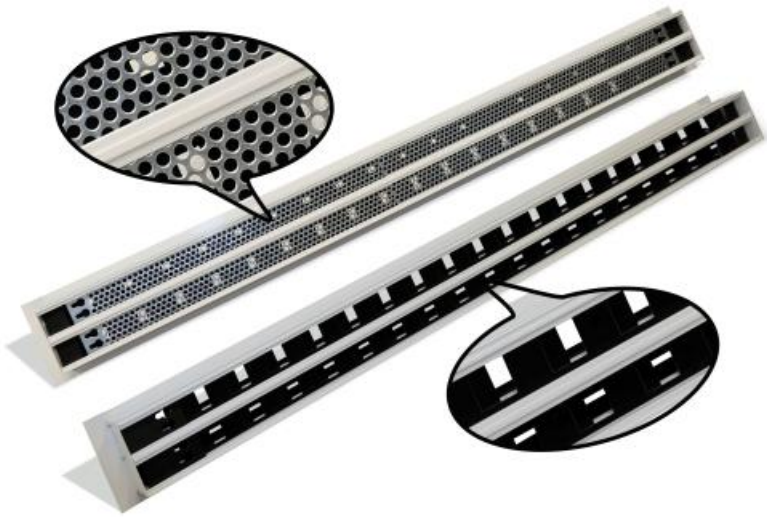


## Continuity kit

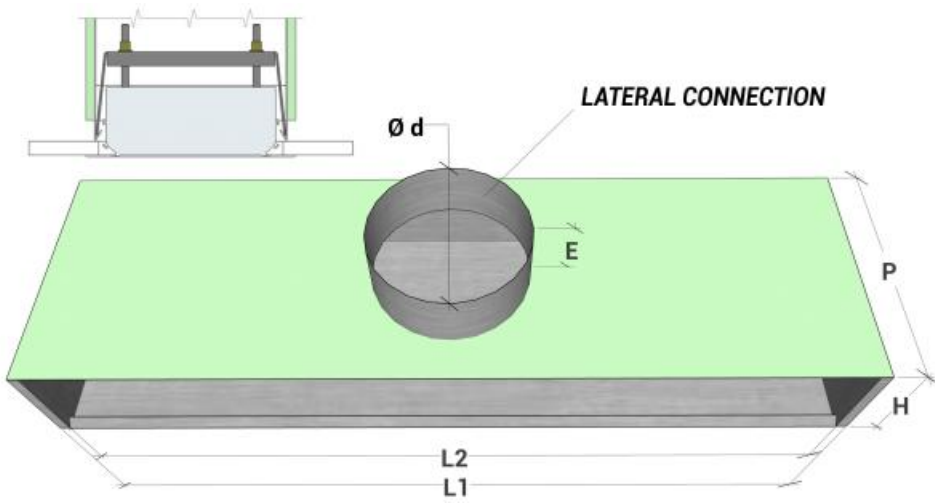
The continuity kit is an accessory required to create continuous lines of linear diffusers longer than 2 metres. It is made up of two junction plates that allow for the alignment and connection of two components of the line.



## Equipping mesh and sliding damper:



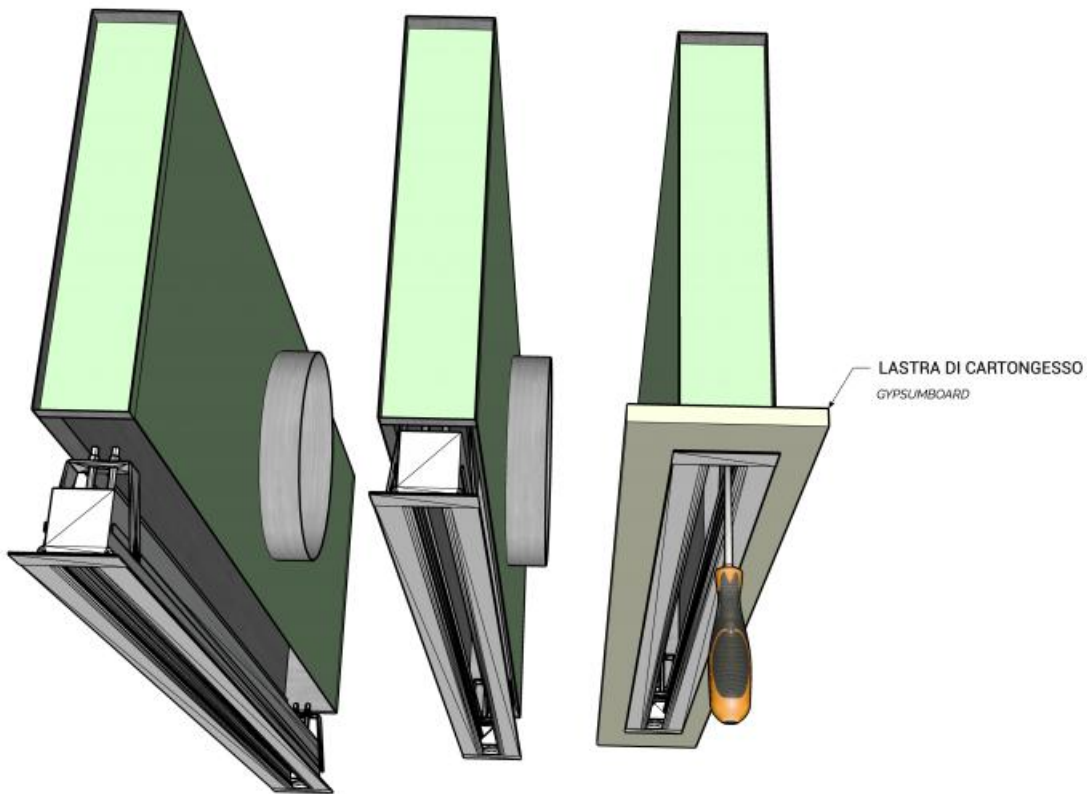
### Plenum dimensions and fixing bracket system



All dimensions are expressed in mm

Number of slots	L	Plenum dimensions						
		L1	L2	No. of connections	Ø d	P	H	E
1 Slot	600	645	615	1	98	300	58	80
	800	845	815	1				
	1000	1045	1015	1				
	1200	1245	1215	2				
	1500	1545	1515	2				
	2000	2045	2015	2				
2 Slots	600	645	615	1	148	300	98	80
	800	845	815	1				
	1000	1045	1015	1				
	1200	1245	1215	2				
	1500	1545	1515	2				
	2000	2045	2015	2				
3 Slots	600	645	615	1	198	300	138	80
	800	845	815	1				
	1000	1045	1015	1				
	1200	1245	1215	2				
	1500	1545	1515	2				
	2000	2045	2015	2				
4 Slots	600	645	615	1	198	300	178	80
	800	845	815	1				
	1000	1045	1015	1				
	1200	1245	1215	2				
	1500	1545	1515	2				
	2000	2045	2015	2				

### Installation



### Price list

Natural anodised aluminium frame and black painted aluminium deflectors.

Item normally available from stock								
	length	EDFL-10	EDFL-20	EDFL-30	EDFL-40	EDFL-50	PLENUM	INSULATED PLENUM
		euro	euro	euro	euro	euro	euro	euro
1 slot	600	✓	✓	✓	✓	✓	✓	✓
	800	✓	✓	✓	✓	✓	✓	✓
	1000	✓	✓	✓	✓	✓	✓	✓
	1200	✓	✓	✓	✓	✓	✓	✓
	1500	✓	✓	✓	✓	✓	✓	✓
	2000	✓	✓	✓	✓	✓	✓	✓
2 slots	600	✓	✓	✓	✓	✓	✓	✓
	800	✓	✓	✓	✓	✓	✓	✓
	1000	✓	✓	✓	✓	✓	✓	✓
	1200	✓	✓	✓	✓	✓	✓	✓
	1500	✓	✓	✓	✓	✓	✓	✓
	2000	✓	✓	✓	✓	✓	✓	✓
3 slots	600	✓	✓	✓	✓	✓	✓	✓
	800	✓	✓	✓	✓	✓	✓	✓
	1000	✓	✓	✓	✓	✓	✓	✓
	1200	✓	✓	✓	✓	✓	✓	✓
	1500	✓	✓	✓	✓	✓	✓	✓
	2000	✓	✓	✓	✓	✓	✓	✓
4 slots	600	✓	✓	✓	✓	✓	✓	✓
	800	✓	✓	✓	✓	✓	✓	✓
	1000	✓	✓	✓	✓	✓	✓	✓
	1200	✓	✓	✓	✓	✓	✓	✓
	1500	✓	✓	✓	✓	✓	✓	✓
	2000	✓	✓	✓	✓	✓	✓	✓

White painted with black deflectors + 20%

### Price list

White version with white deflectors

Item normally available from stock								
------------------------------------	--	--	--	--	--	--	--	--

	length	EDFLB-20	EDFLB-40	EDFLB-50	PLENUM	INSULATED PLENUM
		euro	euro	euro	euro	euro
1 slot	600	▼	▼	▼	▼	▼
	800	▼	▼	▼	▼	▼
	1000	▼	▼	▼	▼	▼
	1200	▼	▼	▼	▼	▼
	1500	▼	▼	▼	▼	▼
	2000	▼	▼	▼	▼	▼
2 slots	600	▼	▼	▼	▼	▼
	800	▼	▼	▼	▼	▼
	1000	▼	▼	▼	▼	▼
	1200	▼	▼	▼	▼	▼
	1500	▼	▼	▼	▼	▼
	2000	▼	▼	▼	▼	▼
3 slots	600	▼	▼	▼	▼	▼
	800	▼	▼	▼	▼	▼
	1000	▼	▼	▼	▼	▼
	1200	▼	▼	▼	▼	▼
	1500	▼	▼	▼	▼	▼
	2000	▼	▼	▼	▼	▼
4 slots	600	▼	▼	▼	▼	▼
	800	▼	▼	▼	▼	▼
	1000	▼	▼	▼	▼	▼
	1200	▼	▼	▼	▼	▼
	1500	▼	▼	▼	▼	▼
	2000	▼	▼	▼	▼	▼

### Price list

Item normally available from stock	
fixing bracket	euro
1 slot	▼
2 slots	▼
3 slots	▼
4 slots	▼

### Accessory price list

Angular without deflectors	EDFLB euro	EDFLB euro
1 feritoia	▼	▼
2 feritoie	▼	▼
3 feritoie	▼	▼
4 feritoie	▼	▼
continuity kit	▼	▼