

# ESCI-C circular iris regulation dampers



## Description

Circular iris regulation dampers for air flow regulation with differential pressure test connections to calculate the flow rate.

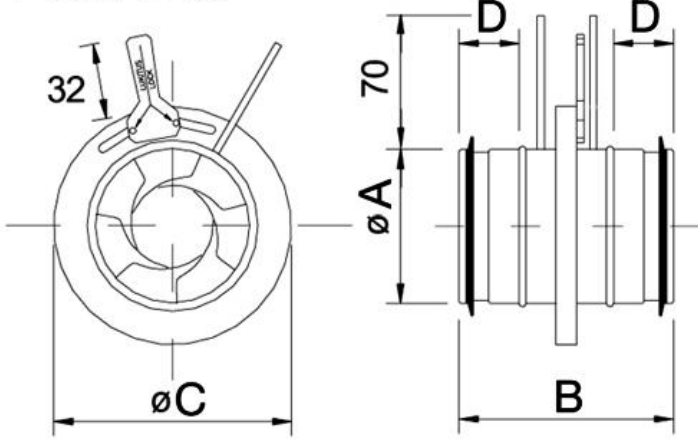
## Characteristics

Material: galvanised steel structure and blades  
 Regulation is obtained using a handle located on the damper, which changes the opening diameter of the damping hole.  
 Tightness class C in accordance with the EN 1751 Standard.  
 Operating temperature from -10 to +80°C.

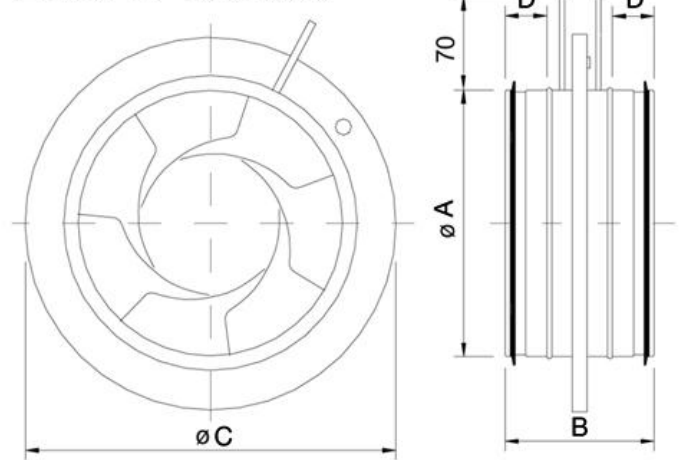
## On request

Stainless steel version.

ESCI-C 80



ESCI-C 100-800



## Dimensions

all dimensions are expressed in mm

model ESCI-C	øA	øC	B	D	kg
80	79	125	115	35	0,5
100	99	165	115	30	0,6
125	124	188	115	30	0,7
150	149	230	115	30	1,0
160	159	230	115	30	1,0
200	199	285	120	30	1,4
250	249	335	135	40	2,0
300	299	405	140	40	2,6
315	314	405	140	40	2,6
400	399	525	150	55	6,5
500	499	655	150	52	9,0
630	629	815	160	60	16,0
800	799	1015	290	120	25,0

## Flow rates and price list

\* within the min-max range, accurate regulation is achieved without affecting the noise

Item normally available from stock				
model ESCI-C	recommended air flow rates		euro	
	min m <sup>3</sup> /h	max m <sup>3</sup> /h		
80	15	160		∨
100	40	220		∨
125	60	340		∨
150	120	620		∨
160	130	700		∨
200	150	1100		∨
250	400	2000		∨
300	400	2500		∨
315	500	2800		∨
400	600	3500		∨
500	600	3900		∨
630	1600	7500		∨
800	2500	11500		∨