

EDRFB - EDRFQB Fixed geometry diffusers



Description

High induction swirl diffusers with fixed deflector blades.

Characteristics

Material: steel plate.
Finish: painted white RAL 9010.
Installation: fastening by means of M6 central screws.

Use

Diffuser suitable for installation heights between 2.5 and 4 m.

Models

EDRFB: high induction swirl diffusers with fixed deflector blades on rounded circular panel;
EDRFQB: high induction swirl diffusers with fixed deflector blades on rounded square panel or on 595x595 panel suitable for installation on 600x600 square false ceilings.

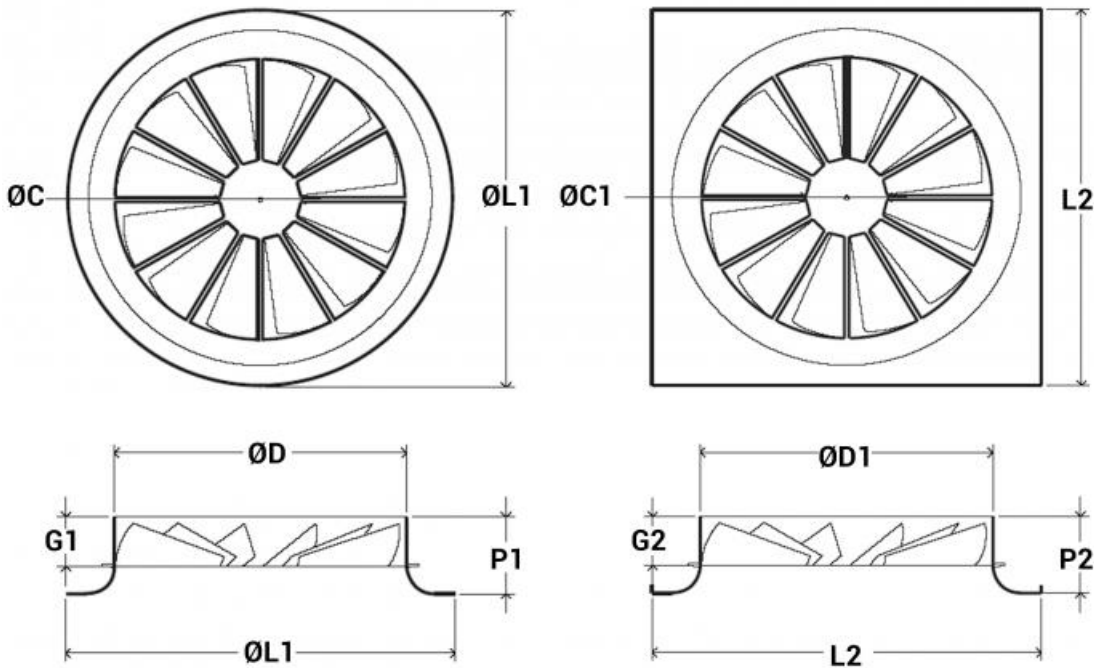
Accessories

- EPZ-DC galvanised plenum;
- EPI-DC insulated plenum;
- EPZ-DCS galvanised plenum with damper;
- EPI-DCS insulated plenum with damper;
- EDRF-EQ fitting with equaliser;

Notes

Rounded exit cone.

Dimensions



All dimensions are expressed in mm.

All sizes of the EDRFQB diffuser can be supplied with the L2xL2 dimension equal to 595x595 mm suitable for installation in a square false ceiling.

model	EDRFB					EDRFQB				
	ØD	ØL1	ØC	G1	P1	ØD1	L2xL2	ØC1	G2	P2
125	122	225	28	55	82	122	225x225	28	55	82
160	157	250	50	55	82	157	250x250	50	55	82
200	197	300	50	55	82	197	300x300	50	55	82
250	247	350	65	55	85	247	350x350	65	55	85
315	312	415	87	55	85	312	415x415	87	55	85

Operating data

Vk: effective speed (m/s)

m³/h: flow rate

Pa: pressure drops in Pascal

L(m): air throw in metres calculated on ceiling installation, terminal velocity 0.25 m/s

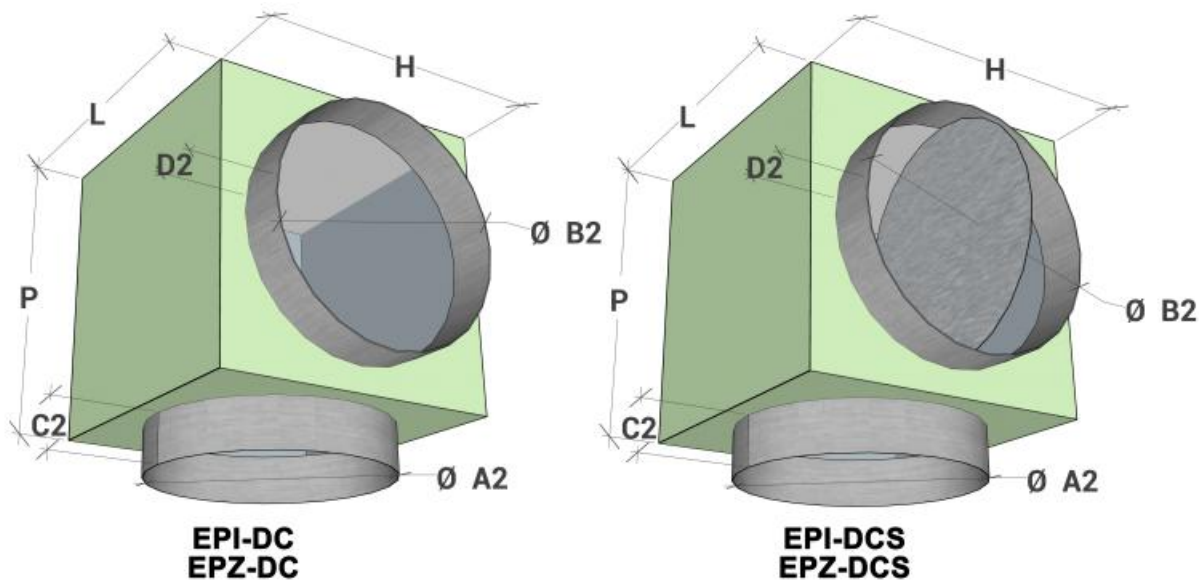
dB(A): noise level (without equaliser)

model	effective cross-section m ²	Vk m/s												recommended air flow rate m ³ /h	
			1,0	1,2	1,4	1,6	1,8	2,0	2,4	2,8	3,2	3,6	4,0	MIN	MAX
125	0,0091	m ³ /h	32	39	45	52	58	65	78	91	104	117	130	40	90
		Pa (with equalizer)	5	7	9	12	15	19	27	37	48	61	75		
		Pa (without equalizer)	7	10	13	18	22	28	40	55	72	92	114		
		L(m)	1,5	1,6	1,7	1,8	1,9	2	2,3	2,4	2,6	2,7	2,9		
		dB(A)	<20	<20	23	28	31	34	40	45	49	52	75		
160	0,0146	m ³ /h	54	65	76	86	97	108	130	151	173	194	216	50	120
		Pa (with equalizer)	5	7	10	13	16	20	29	40	52	65	81		
		Pa (without equalizer)	7	10	14	19	23	29	42	59	77	97	120		
		L(m)	1,6	1,8	1,9	2	2,1	2,2	2,5	2,7	2,8	3	3,1		
		dB(A)	<20	25	30	34	38	42	48	53	57	64	66		
200	0,0225	m ³ /h	79	95	111	127	143	158	190	222	253	285	317	90	210
		Pa (with equalizer)	5	6	9	11	15	17	25	35	45	57	71		
		Pa (without equalizer)	7	9	13	16	21	25	37	51	66	84	105		
		L(m)	1,6	1,8	1,9	2	2,2	2,3	2,5	2,7	2,8	3	3,2		
		dB(A)	<20	22	26	30	34	37	42	47	51	54	57		
250	0,0345	m ³ /h	122	147	171	196	220	245	294	343	392	441	490	130	310
		Pa (with equalizer)	5	5	6	8	10	13	19	25	33	42	52		
		Pa (without equalizer)	7	8	10	13	16	21	30	40	53	68	85		
		L(m)	1,9	2,1	2,3	2,5	2,6	2,7	3	3,2	3,4	3,6	3,8		
		dB(A)	<20	23	27	31	35	38	43	48	51	55	58		
315	0,0536	m ³ /h	194	233	272	311	350	389	467	544	622	700	778	250	520
		Pa (with equalizer)	5	5	7	9	11	14	21	28	37	47	58		
		Pa (without equalizer)	7	8	11	14	17	22	32	43	57	73	90		
		L(m)	2	2,3	2,4	2,6	2,7	2,9	3,1	3,3	3,6	3,7	3,9		
		dB(A)	<20	<20	22	27	31	35	41	47	51	55	59		

EDRF-EQ: equalizer



Plenum



All measurements are expressed in mm.

model	L	H	P	ØA2 Diffuser	ØB2 duct - flexible or rigid	C2	D2
125	200	200	200	127	125	70	100
160	250	250	250	162	155	70	100
200	300	300	300	202	195	70	100
250	350	350	350	252	245	70	100
315	400	400	400	317	310	70	100

Price list

model	diffusor EDRFB	diffusor EDRFQB on square panel	diffusor EDRFQB on square panel 595x595	EDRF-EQ fitting with equaliser	Galvanised plenum	insulated plenum	Galvanised PLENUM with damper	Insulated PLENUM with damper
					EPZ-DC	EPI-DC	EPZ-DCS	EPI-DCS
	euro	euro	euro	euro	euro	euro	euro	euro
125	∨	∨	∨	∨	∨	∨	∨	∨
160	∨	∨	∨	∨	∨	∨	∨	∨
200	∨	∨	∨	∨	∨	∨	∨	∨
250	∨	∨	∨	∨	∨	∨	∨	∨
315	∨	∨	∨	∨	∨	∨	∨	∨