

# EDU/S - EDU/SM Long range nozzle diffusers with damper

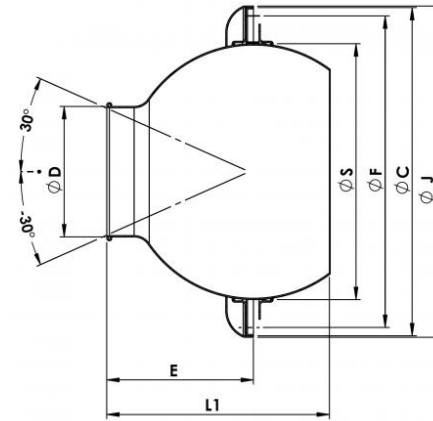


## Description

Long range aluminium diffusers, adjustable with a max. angle of 30°.

## Characteristics

Material: aluminium.  
 Finish: anodised aluminium.  
 Installation: with flange (on duct) or with fitting (on flexible duct).  
 Installation height between 3 m and 30 m depending on the model.



## Models

EDU/S Long range nozzle diffusers with damper.  
 EDU/SM Long range nozzle diffusers with damper with set-up for motor.

## Use

Rooms with very high ceilings or where a long and/or targeted air throw is needed.

## On request

- Servomotors for EDU/SM: the servomotor is supplied disassembled from the long range diffuser (installation by the customer).
- Screw cover.
- With rear swirl (throw reducer).
- Fitting for flexible duct.
- Fitting for circular duct.
- RAL painting on request.

## Dimensions:

all dimensions are expressed in mm

model	effective cross-section m <sup>2</sup>	ØD	ØS	ØC	ØF	E	L1	ØJ	Øhole
80	0,0059	80	160	245	226	92	149	249	205
150	0,0183	150	300	385	366	173	276	389	352
200	0,0325	200	400	485	466	226	367	489	452
230	0,0432	230	400	485	466	216	357	489	452
250	0,0513	250	400	485	466	208	349	489	452
300	0,0745	300	400	485	466	184	325	489	452



EDU/S EDU/SM senza coprihiera  
 EDU/S EDU/SM without screw cover



EDU/S EDU/SM con coprihiera  
 EDU/S EDU/SM with screw cover

## Operating data:

Vk: effective speed (m/s)

m<sup>3</sup>/h: flow rate

Pa: pressure drops in Pascal

L(m): air throw in metres calculated on ceiling installation, terminal velocity 0.25 m/s

dB(A): noise level

From model 40 to 200 made with central cone, model 230 without central cone

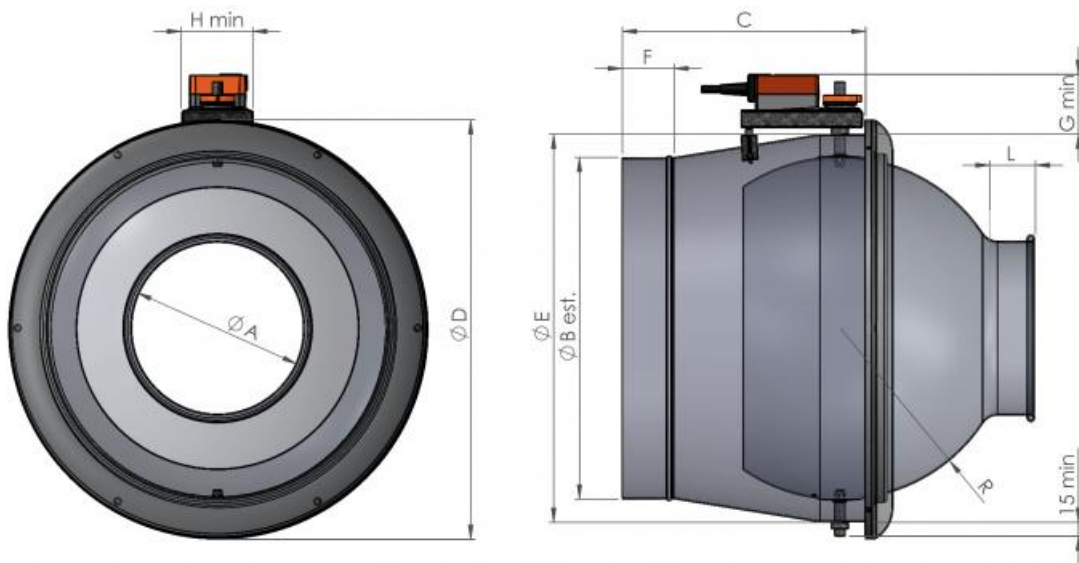
model	Vk (m/s)	2	4	6	8	10
80	m³/h	36	72	108	135	168
	L(m)	4,0	8,0	12,0	15,0	19,0
	Pa	2,0	10	22	36	57
	dB(A)	<20	<20	<20	22	29
150	m³/h	127	254	382	509	637
	L(m)	6,0	12,0	19,0	25,0	32,0
	Pa	2	8	19	34	55
	dB(A)	<20	<20	21	29	37
200	m³/h	226	452	678	904	1130
	L(m)	8,0	17,0	25,0	34,0	42,0
	Pa	2	8	19	34	55
	dB(A)	<20	<20	20	28	35
230	m³/h	298	597	896	1195	1494
	L(m)	9,0	20,0	29,0	39,0	45,0
	Pa	2	8	19	34	55
	dB(A)	<20	<20	21	28	35
250	m³/h	353	707	1060	1413	1766
	L(m)	10,0	21,0	31,0	42,0	48,0
	Pa	2	8	19	34	55
	dB(A)	<20	<20	24	31	36
300	m³/h	509	1017	1526	2035	2543
	L(m)	13,0	25,0	36,0	44,0	51,0
	Pa	2	8	19	34	55
	dB(A)	<20	<20	23	30	35

### EDU/SM Long range nozzle diffusers with set-up for motor

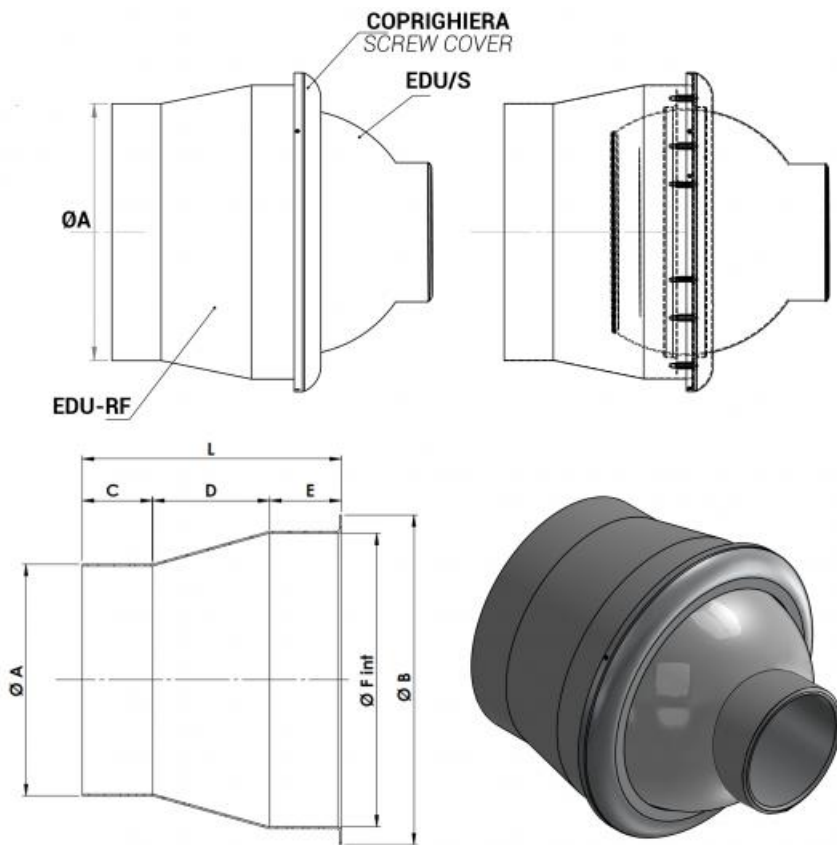
D\* Screw cover

All measurements are expressed in mm.

Dn	A	B	C	D*	E	F	G min	H min	MOT. ON / OFF	MOT. MODULATING
80	80	158	200	258	204	50	38	60	CM24-L / CM230-L	CM24-SR-L
150	150	313	283	388	352	60	70	85	NM24A / NM230A	NM24A-SR / NM230ASR
200	200	398	283	488	452	60	70	85	NM24A / NM230A	NM24A-SR / NM230ASR
230	230	398	283	488	452	60	70	85	NM24A / NM230A	NM24A-SR / NM230ASR
250	250	398	283	488	452	60	70	85	NM24A / NM230A	NM24A-SR / NM230ASR
300	300	398	283	488	452	60	70	85	NM24A / NM230A	NM24A-SR / NM230ASR

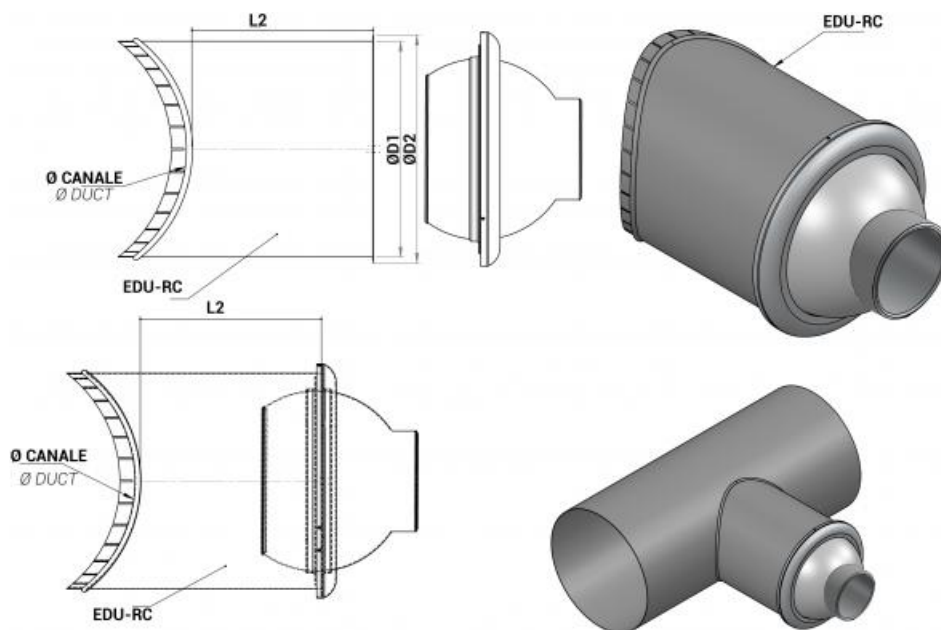


### Fitting for flexible duct



model	ØA	ØB	C	D	E	ØF int	L
EDU-RF 80	158	230	60	100	60	210	220
EDU-RF 150	248	378	60	130	60	358	250
EDU-RF 200	398	480	60	170	60	460	290
EDU-RF 230	398	480	60	170	60	460	290
EDU-RF 250	398	480	60	170	60	460	290
EDU-RF 300	398	480	60	170	60	460	290

#### Fitting for circular duct



model	L2	Ø D1	Ø D2	Ø duct	
				min	max
EDU-RC 80	200	210	230	315	630
EDU-RC 150	300	358	378	500	800
EDU-RC 200	350	460	480	500	1000
EDU-RC 230	350	460	480	500	1000
EDU-RC 250	350	460	480	500	1000
EDU-RC 300	350	460	480	500	1000

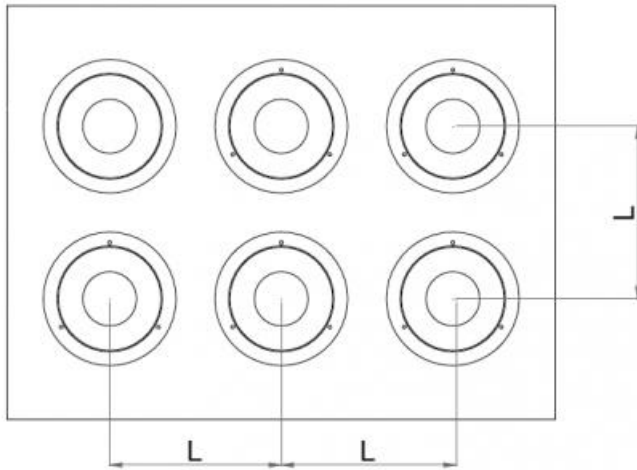
### Swirl deflector

The swirl deflector installed at the back of the nozzle diffuser generates a rotary motion that increases induction and reduces the throw of the diffuser by 40% and is particularly suitable for the supply of high air flow rates in medium-sized rooms as it prevents sensitive air currents in the occupied area.



### Assembly in sets

model	L minimum distance (mm)
80	300
150	430
200	430
230	550
250	550
300	550



### Price list:

Item normally available from stock										
model	EDU/S nozzle with damper	EDU/SM with set-up for motor	Servomotors for EDU/SM (supplied)				screw cover	deflector swirl	fitting RF for flexible duct	fitting RC for circular duct
			ON / OFF		MODULANTE					
			24V	230V	24V	230V				
	euro	euro	euro	euro	euro	euro	euro	euro	euro	
80	▼	▼	▼	▼	▼	-	▼	▼	▼	▼
150	▼	▼					▼	▼	▼	▼
200	▼	▼					▼	▼	▼	▼
230	▼	▼	▼	▼	▼	▼	▼	▼	▼	▼
250	▼	▼								
300	▼	▼								