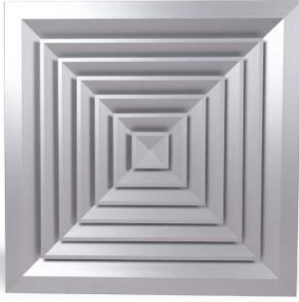


EDQ 19-22 Multidirectional rectangular diffusers - models from 19 to 22



Description

Multidirectional rectangular diffusers with removable cones.

Characteristics

Material: aluminium.
Finish: natural anodised.
Installation: fastening by means of non-visible screws.

Use

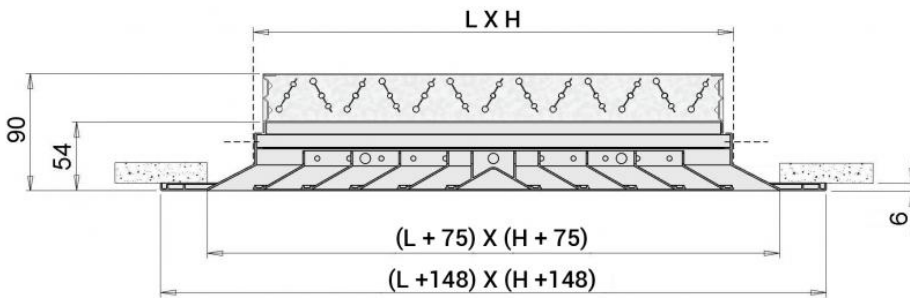
Very versatile diffuser, especially suitable in systems where it is necessary to control the air throw in specific directions.

On request

White RAL 9016 painting or other RAL colours.

Accessories

- SC galvanised steel regulation damper with blades with opposing movement.
- EPZ-EDQ galvanised steel plenum.
- EPI-EDQ galvanised steel insulated plenum.



Operating data EDQ19

Vk: effective speed (m/s)

m³/h: flow rate

Pa: pressure drops in Pascal

L(m): air throw in metres calculated on ceiling installation, terminal velocity 0.25 m/s

dB(A): noise level

all dimensions are expressed in mm.

dimensions LxH	Vk (m/s) effective cross-section m ²	3		4		5		6	
		m ³ /h	L(m)	m ³ /h	L(m)	m ³ /h	L(m)	m ³ /h	L(m)
225x150	0,013	140	3	188	3,6	234	4,7	280	6
300x150	0,018	195	3,5	260	4,5	324	5,6	390	6,5
375x150	0,022	238	3,8	316	5,2	396	6,3	475	7,5
300x225	0,027	292	4,4	389	5,6	486	7	584	8,8
375x225	0,032	345	4,5	460	5,8	576	7,2	692	9
450x225	0,034	367	4,7	490	6	612	7,8	735	9,2
525x225	0,044	475	5	633	6,8	792	8,2	950	10
375x300	0,040	432	5	576	6,8	720	8,2	864	10
450x300	0,048	518	5,5	691	7,1	864	9	1036	11
525x300	0,056	605	5,9	806	7,5	1008	9,6	1210	11,6
600x300	0,066	712	6,3	950	7,8	1188	10,2	1425	12
pressure drop	Pa	5		10		15		20	
noise level	dB(A)	20/25		30/35		35/40		40/45	

Operating data EDQ20

Vk: effective speed (m/s)

m³/h: flow rate

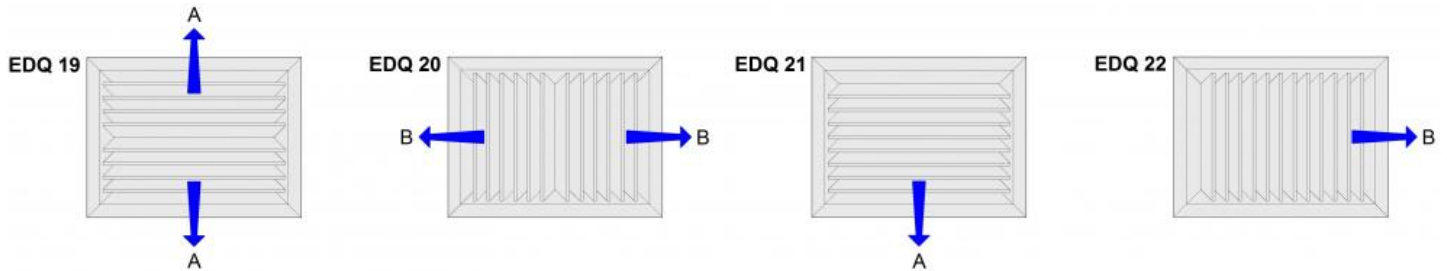
Pa: pressure drops in Pascal

L(m): air throw in metres calculated on ceiling installation, terminal velocity 0.25 m/s

dB(A): noise level

all dimensions are expressed in mm.

dimensions LxH	Vk (m/s) effective cross-section m ²	3		4		5		6	
		m ³ /h	L(m)	m ³ /h	L(m)	m ³ /h	L(m)	m ³ /h	L(m)
225x150	0,013	140	3	188	3,6	234	4,7	280	6
300x150	0,018	195	3,5	260	4,5	324	5,6	390	6,5
375x150	0,022	238	3,8	316	5,2	396	6,3	475	7,5
300x225	0,027	292	4,4	389	5,6	486	7	584	8,8
375x225	0,032	345	4,5	460	5,8	576	7,2	692	9
450x225	0,034	367	4,7	490	6	612	7,8	735	9,2
525x225	0,044	475	5	633	6,8	792	8,2	950	10
375x300	0,040	432	5	576	6,8	720	8,2	864	10
450x300	0,048	518	5,5	691	7,1	864	9	1036	11
525x300	0,056	605	5,9	806	7,5	1008	9,6	1210	11,6
600x300	0,066	712	6,3	950	7,8	1188	10,2	1425	12
pressure drop	Pa	5		10		15		20	
noise level	dB(A)	20/25		30/35		35/40		40/45	



Operating data EDQ21 EDQ22

Vk: effective speed (m/s)
m³/h: flow rate
Pa: pressure drops in Pascal
L(m): air throw in metres calculated on ceiling installation, terminal velocity 0.25 m/s
dB(A): noise level

all dimensions are expressed in mm.

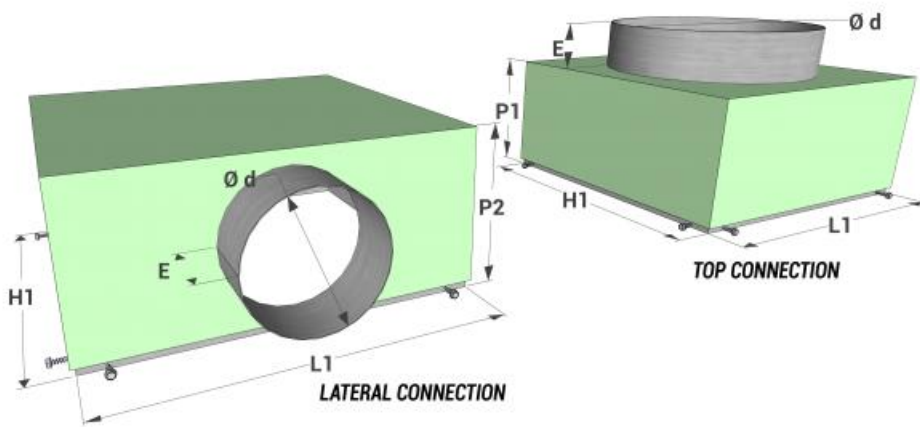
dimensions LxH	Vk (m/s) effective cross-section m ²	3		4		5		6	
		m ³ /h	L(m)	m ³ /h	L(m)	m ³ /h	L(m)	m ³ /h	L(m)
225x150	0,013	140	4,1	188	5,6	234	6,8	280	8,2
300x150	0,018	195	5	260	6,2	324	8,2	390	9,4
375x150	0,022	238	5,2	316	7	396	9	475	10,6
300x225	0,027	292	6	389	8	486	10	584	11
375x225	0,032	345	6,2	460	8,5	576	10	692	12,4
450x225	0,034	367	6,4	490	7	612	10,4	735	12,6
525x225	0,044	475	7	633	9,6	792	12,8	950	15
375x300	0,040	432	7	576	9,6	720	12,8	864	15
450x300	0,048	518	7,6	691	9,8	864	13	1036	15
525x300	0,056	605	8	806	10	1008	13,2	1210	15,2
600x300	0,066	712	8,4	950	10,2	1188	13,4	1425	15,5
pressure drop	Pa	5		10		15		20	
noise level	dB(A)	20/25		30/35		35/40		40/45	

SC calibration damper

Galvanised steel regulation damper with blades with opposing movement.



Plenum



EDQ	L1 x H1	Ø d	P1	P2	E
225X150	230X155	125	200	245	50
300X150	305X155	150	200	270	50
375X150	380X155	150	200	270	50
300X225	305X230	200	200	320	50
375X225	380X230	200	200	320	50
450X225	455X230	200	200	320	50
525X225	530X230	300	200	370	50
375X300	380X305	250	200	370	50
450X300	455X305	250	200	370	50
525X300	530X305	250	200	370	50
600X300	605X305	300	200	400	50
450X375	455X380	300	200	400	50
600X375	605X380	300	200	400	50
600X450	605X455	300	200	400	50

Price list

Note: painted white RAL 9016 + 20%.

dimension AxB	EDQ19	EDQ20	EDQ21	EDQ22
	euro	euro	euro	euro
225X150	▼	▼	▼	▼
300X150	▼	▼	▼	▼
375X150	▼	▼	▼	▼
300X225	▼	▼	▼	▼
375X225	▼	▼	▼	▼
450X225	▼	▼	▼	▼
525X225	▼	▼	▼	▼
375X300	▼	▼	▼	▼
450X300	▼	▼	▼	▼
525X300	▼	▼	▼	▼
600X300	▼	▼	▼	▼
450X375	▼	▼	▼	▼
600X375	▼	▼	▼	▼
600X450	▼	▼	▼	▼

Accessories

Item normally available from stock

dimensions HxL	damper SC	lateral connection		top connection	
		galvanized plenum	isolated plenum	galvanized plenum	isolated plenum
		EPZ-EDQ	EPI-EDQ	EPZ-EDQ	EPI-EDQ
	euro	euro	euro	euro	euro
225X150	▼	▼	▼	▼	▼
300X150	▼	▼	▼	▼	▼
375X150	▼	▼	▼	▼	▼
300X225	▼	▼	▼	▼	▼
375X225	▼	▼	▼	▼	▼
450X225	▼	▼	▼	▼	▼
525X225	▼	▼	▼	▼	▼
375X300	▼	▼	▼	▼	▼
450X300	▼	▼	▼	▼	▼
525X300	▼	▼	▼	▼	▼
600X300	▼	▼	▼	▼	▼
450X375	▼	▼	▼	▼	▼
600X375	▼	▼	▼	▼	▼
600X450	▼	▼	▼	▼	▼