

EDFLN EDFLBN Linear slot diffusers with rotating PVC deflectors

Description

Aluminum diffuser with adjustable rotating deflectors for optimal air throw control. Also available with sliding regulation damper.

Features

Material: aluminium.
Finish: natural anodised.
Supports: black ABS.
Deflectors: black PVC.
Installation: duct or plenum box.

Use

Diffuser suitable for both air supply and exhaust in large rooms; its modularity allows for great freedom of design.

Models

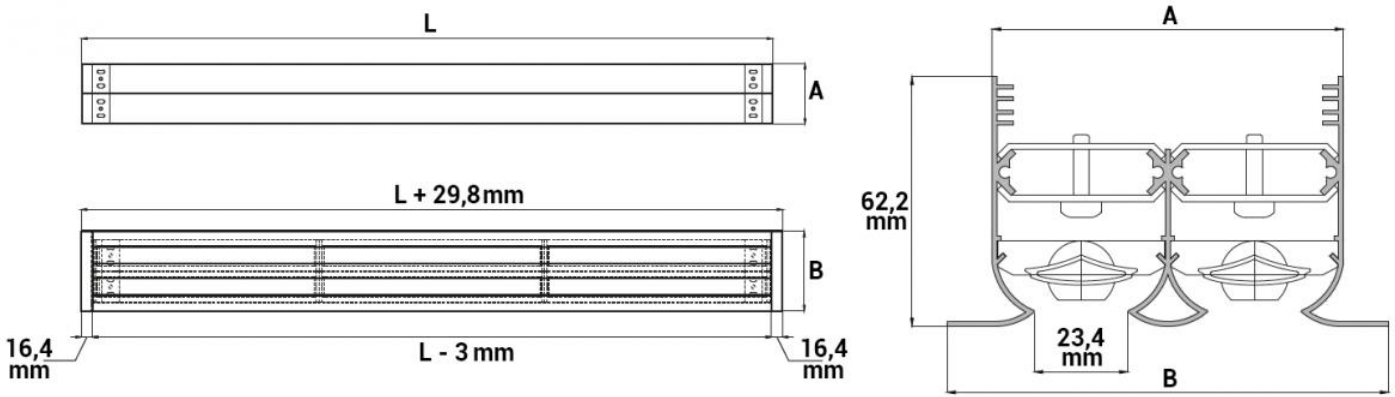
EDFLN-10 exhaust diffusers (without deflectors).
EDFLN-20 supply diffusers with black ABS deflectors.
EDFLBN-20 white RAL9010 supply diffusers with black ABS deflectors.
EDFLN-40 supply diffusers with black ABS deflectors and sliding damper.
EDFLBN-40 white RAL9010 supply diffusers with black ABS deflectors and sliding damper.
EDFLN-50 supply diffusers with black ABS deflectors, equaliser and sliding damper.
EDFLBN-50 white RAL9010 supply diffusers with black ABS deflectors, equaliser and sliding damper.

Accessories

- galvanized plenum box;
- insulated plenum box;
- 90° corner connection;
- continues line kit.

On request

White ABS deflectors.



Linear diffuser dimensions

all dimensions are expressed in mm

Number of slots	L	A	B	number of fixing brackets
1 slot	800	44,4	67	2
2 slots		87,6	110,2	2
3 slots		130,8	153,4	2
4 slots		174	196,6	2
1 slot	1000	44,4	67	2
2 slots		87,6	110,2	2
3 slots		130,8	153,4	2
4 slots		174	196,6	2
1 slot	1500	44,4	67	3
2 slots		87,6	110,2	3
3 slots		130,8	153,4	3
4 slots		174	196,6	3
1 slot	2000	44,4	67	4
2 slots		87,6	110,2	4
3 slots		130,8	153,4	4
4 slots		174	196,6	4

Operating data

Data referring to 1m long diffusers

Vk: effective speed (m/s)

m³/h: air flow rate

Pa: pressure drops in Pascal

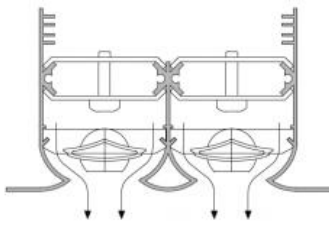
Lo(m): horizontal air throw in metres calculated on ceiling flush installation and terminal velocity 0.25 m/s

Lv(m): vertical air throw in metres calculated on ceiling flush installation and terminal velocity 0.25 m/s

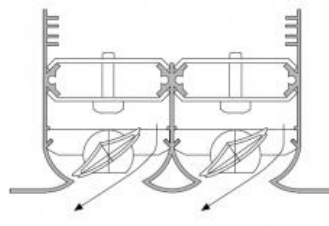
dB(A): noise level

number of slots	effective cross-section m ²	air flow, throw and pressure drop							
		m ³ /h	Pa	Lo(m)	Lv(m)	m ³ /h	Pa	Lo(m)	Lv(m)
1 slot	0,0099	m ³ /h	72	107	143	179	215	251	287
		Pa	4	9	15	24	35	47	61
		Lo(m)	2,6	4,0	5,3	6,6	7,9	9,2	10,5
		Lv(m)	1,8	2,8	3,7	4,6	5,5	6,5	7,4
2 slots	0,0199	m ³ /h	143	215	287	358	430	501	573
		Pa	5	10	18	29	41	56	74
		Lo(m)	3,8	5,6	7,5	9,4	11,3	13,2	15,1
		Lv(m)	2,6	4,0	5,3	6,6	7,9	9,2	10,5
3 slots	0,0298	m ³ /h	215	322	430	537	645	752	860
		Pa	6	14	26	40	58	79	103
		Lo(m)	4,4	6,7	8,9	11,1	13,3	15,6	17,8
		Lv(m)	3,1	4,7	6,2	7,8	9,3	10,9	12,4
4 slots	0,0398	m ³ /h	287	430	573	716	860	1003	1146
		Pa	10	23	41	64	92	125	163
		Lo(m)	5,0	7,6	10,1	12,6	15,1	17,6	20,2
		Lv(m)	3,5	5,3	7,1	8,8	10,6	12,4	14,1
Vk		m/s	2	3	4	5	6	7	8
noise level		dB(A)	25-30	30-35	35-40	40-45	42-48	45-50	50-55

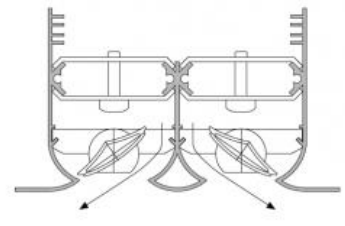
Air throw characteristics



LANCIO VERTICALE
VERTICAL THROW



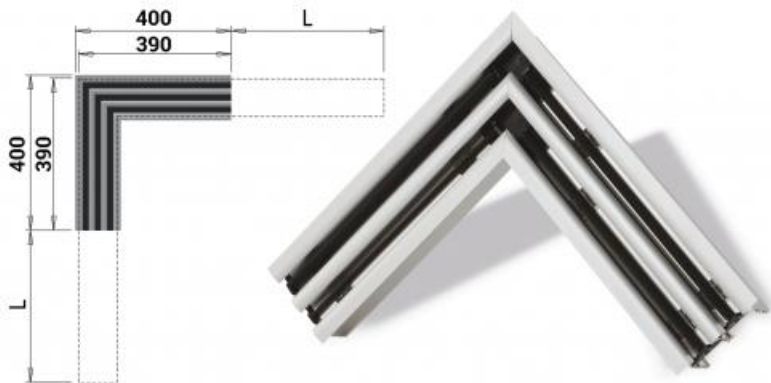
LANCIO ORIZZONTALE 1 DIREZIONE
HORIZONTAL THROW ONE DIRECTION



LANCIO ORIZZONTALE 2 DIREZIONI
TWO DIRECTION HORIZONTAL THROW

Corner connection

Aesthetic connecting element between the two linear diffuser lines with a 90° angle and 400 mm length on each side. All measurements are expressed in mm.

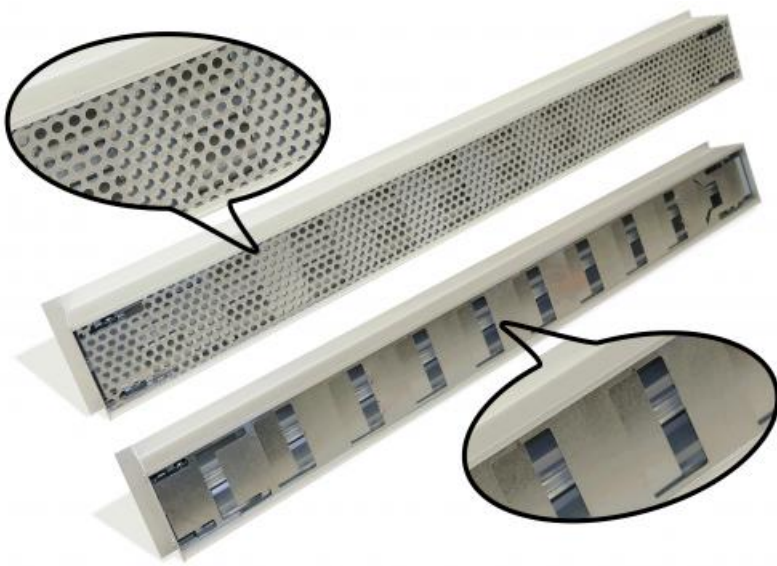


Continues Line kit

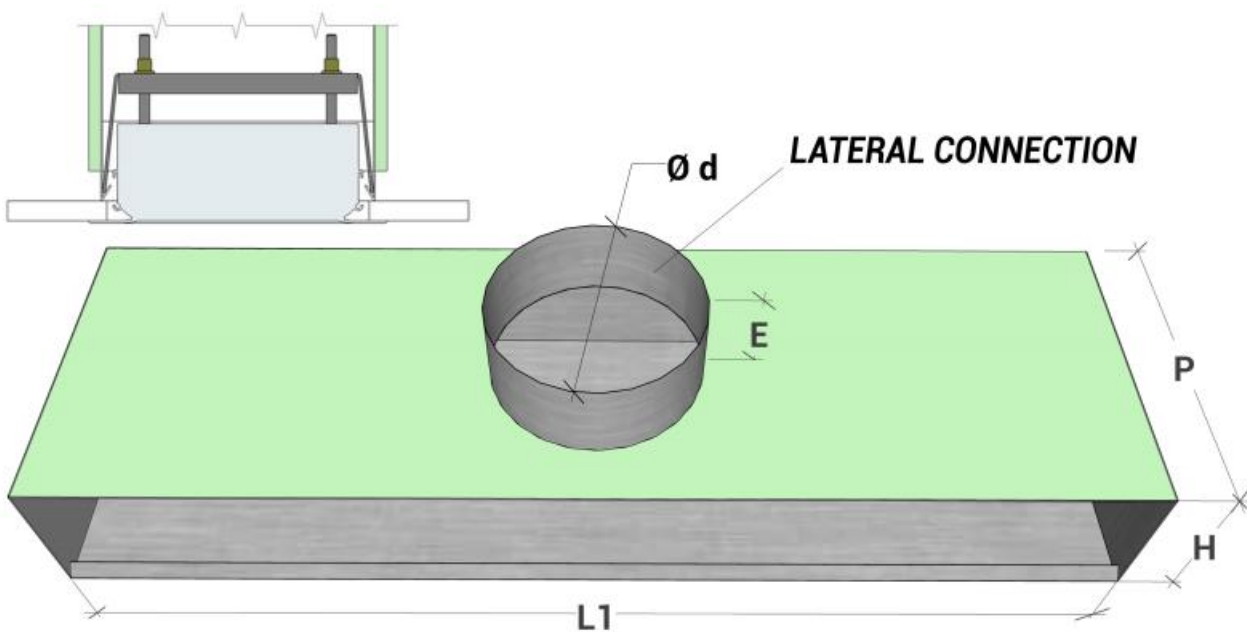
The continues line kit is an accessory required to create continuous lines of linear diffusers longer than 2 meters. It is made up of two junction plates that allow for the alignment and connection of two components of the line.



Equalizer and sliding damper:



Plenum dimensions and mounting bridges system



all dimensions are expressed in mm

Number of slots	L	Plenum dimensions						
		L1	No. of connections		Ø d	P	H	E
1 slot	800	815	1		123	200	59	80
	1000	1015	1					
	1500	1515	2					
	2000	2015	2					
2 slots	800	815	1		148	240	102	80
	1000	1015	1					
	1500	1515	2					
	2000	2015	2					
3 slots	800	815	1		148	240	145	80
	1000	1015	1					
	1500	1515	2					
	2000	2015	2					
4 slots	800	815	1		198	285	189	80
	1000	1015	1					
	1500	1515	2					
	2000	2015	2					

Price list

For dimensions other than those indicated: 15% increase compared to the bigger dimension indicated in the table

	model	EDFLN-10	EDFLN-20	EDFLN-40	EDFLN-50	PLENUM	Insulated PLENUM
		euro	euro	euro	euro	euro	euro
1 slot	800	▼	▼	▼	▼	▼	▼
	1000	▼	▼	▼	▼	▼	▼
	1500	▼	▼	▼	▼	▼	▼
	2000	▼	▼	▼	▼	▼	▼
2 slot	800	▼	▼	▼	▼	▼	▼
	1000	▼	▼	▼	▼	▼	▼
	1500	▼	▼	▼	▼	▼	▼
	2000	▼	▼	▼	▼	▼	▼
3 slot	800	▼	▼	▼	▼	▼	▼
	1000	▼	▼	▼	▼	▼	▼
	1500	▼	▼	▼	▼	▼	▼
	2000	▼	▼	▼	▼	▼	▼
4 slot	800	▼	▼	▼	▼	▼	▼
	1000	▼	▼	▼	▼	▼	▼
	1500	▼	▼	▼	▼	▼	▼
	2000	▼	▼	▼	▼	▼	▼

White painted version price list

	model	EDFLBN-10	EDFLBN-20	EDFLBN-40	EDFLBN-50	PLENUM	Insulated PLENUM
		euro	euro	euro	euro	euro	euro
1 slot	800	▼	▼	▼	▼	▼	▼
	1000	▼	▼	▼	▼	▼	▼
	1500	▼	▼	▼	▼	▼	▼
	2000	▼	▼	▼	▼	▼	▼
2 slots	800	▼	▼	▼	▼	▼	▼
	1000	▼	▼	▼	▼	▼	▼
	1500	▼	▼	▼	▼	▼	▼
	2000	▼	▼	▼	▼	▼	▼
3 slots	800	▼	▼	▼	▼	▼	▼
	1000	▼	▼	▼	▼	▼	▼
	1500	▼	▼	▼	▼	▼	▼
	2000	▼	▼	▼	▼	▼	▼
4 slots	800	▼	▼	▼	▼	▼	▼
	1000	▼	▼	▼	▼	▼	▼
	1500	▼	▼	▼	▼	▼	▼
	2000	▼	▼	▼	▼	▼	▼

	fixing bracket	euro
	1 feritoia	▼
	2 feritoie	▼
	3 feritoie	▼
	4 feritoie	▼

Accessory price list

Angular	EDFLN with deflectors		EDFLBN with deflectors	
		euro		euro
1 slot		▼		▼
2 slots		▼		▼
3 slots		▼		▼
4 slots		▼		▼
continuity kit		▼		▼