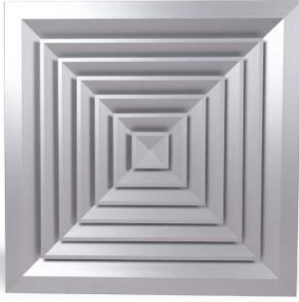


# EDQ 10-14 Multidirectional square diffusers - models from 10 to 14



## Description

Multidirectional square diffusers with removable cones.

## Characteristics

Material: aluminium.  
Finish: natural anodised.  
Installation: fastening by means of non-visible screws.

## Use

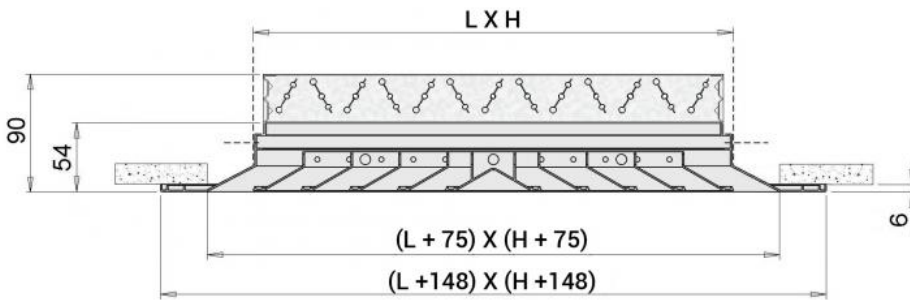
Very versatile diffuser, especially suitable in systems where it is necessary to control the air throw in specific directions.

## On request

White RAL 9016 painting or other RAL colours (prices on request).

## Accessories

- SC galvanised steel regulation damper with blades with opposing movement.
- EPZ-EDQ galvanised steel plenum.
- EPI-EDQ galvanised steel insulated plenum.



## Operating data EDQ10

Vk: effective speed (m/s)

m<sup>3</sup>/h: flow rate

Pa: pressure drops in Pascal

L(m): air throw in metres calculated on ceiling installation, terminal velocity 0.25 m/s

dB(A): noise level

all dimensions are expressed in mm.

| dimensions HxL | Vk (m/s)<br>effective cross-section m <sup>2</sup> | 3                 |      | 4                 |      | 5                 |      | 6                 |      |
|----------------|--|-------------------|------|-------------------|------|-------------------|------|-------------------|------|
|                |  | m <sup>3</sup> /h | L(m) | m <sup>3</sup> /h | L(m) | m <sup>3</sup> /h | L(m) | m <sup>3</sup> /h | L(m) |
| 150x150        | 0,010  | 108               | 1,2  | 144               | 1,6  | 180               | 2    | 216               | 2,6  |
| 225x225        | 0,022  | 238               | 1,8  | 317               | 2,5  | 396               | 3,2  | 475               | 3,8  |
| 300x300        | 0,038  | 410               | 2,4  | 547               | 3,2  | 686               | 4    | 820               | 4,8  |
| 375x375        | 0,058  | 626               | 2,9  | 835               | 3,9  | 1044              | 4,8  | 1253              | 5,8  |
| 450x450        | 0,085  | 918               | 3,6  | 1224              | 4,8  | 1530              | 6    | 1836              | 7,2  |
| 525x525        | 0,116  | 1253              | 4,2  | 1670              | 5,4  | 2088              | 7    | 2505              | 8,4  |
| 600x600        | 0,150  | 1620              | 4,6  | 2160              | 6,4  | 2700              | 7,8  | 3240              | 9,5  |
| pressure drop  | Pa   | 5                 |      | 10                |      | 15                |      | 20                |      |
| noise level    | dB(A)  | 20/25             |      | 30/35             |      | 35/40             |      | 40/45             |      |

## Operating data EDQ11

LA: air throw on side A (m)

LB: air throw on side B (m)

Pa: pressure drops in Pascal

dB(A): noise level

all dimensions are expressed in mm

| dimensions HxL | Vk (m/s)<br>effective cross-section m <sup>2</sup> | 3                 |       |       | 4                 |       |       | 5                 |       |       | 6                 |       |       |
|----------------|--|-------------------|-------|-------|-------------------|-------|-------|-------------------|-------|-------|-------------------|-------|-------|
|                |  | m <sup>3</sup> /h | LA(m) | LB(m) | m <sup>3</sup> /h | LA(m) | LB(m) | m <sup>3</sup> /h | LA(m) | LB(m) | m <sup>3</sup> /h | LA(m) | LB(m) |
| 150x150        | 0,010  | 108               | 1,5   | 1,7   | 144               | 2,1   | 2,5   | 180               | 2,6   | 3     | 216               | 3     | 3,4   |
| 225x225        | 0,022  | 238               | 2,3   | 2,9   | 317               | 2,7   | 3,5   | 396               | 3,8   | 4,7   | 475               | 4,6   | 5,6   |
| 300x300        | 0,038  | 410               | 3     | 3,4   | 547               | 3,8   | 4,8   | 686               | 5     | 6,2   | 820               | 5,9   | 7,2   |
| 375x375        | 0,058  | 626               | 3,6   | 4,2   | 835               | 4,7   | 5,7   | 1044              | 5,8   | 7     | 1253              | 6,9   | 8,3   |
| 450x450        | 0,085  | 918               | 4,1   | 5,1   | 1224              | 5,6   | 7     | 1530              | 6,8   | 8,4   | 1836              | 8,2   | 10,2  |
| 525x525        | 0,116  | 1253              | 4,8   | 6,2   | 1670              | 6,5   | 7,9   | 2088              | 8,2   | 10    | 2505              | 9,8   | 12,6  |
| 600x600        | 0,150  | 1620              | 5,4   | 6,6   | 2160              | 7     | 8,5   | 2700              | 8,8   | 10,9  | 3240              | 10,3  | 12,8  |
| pressure drop  | Pa   | 5                 |       |       | 10                |       |       | 15                |       |       | 20                |       |       |
| noise level    | dB(A)  | 20/25             |       |       | 30/35             |       |       | 35/40             |       |       | 40/45             |       |       |

### Operating data EDQ12

Vk: effective speed (m/s)

m<sup>3</sup>/h: flow rate

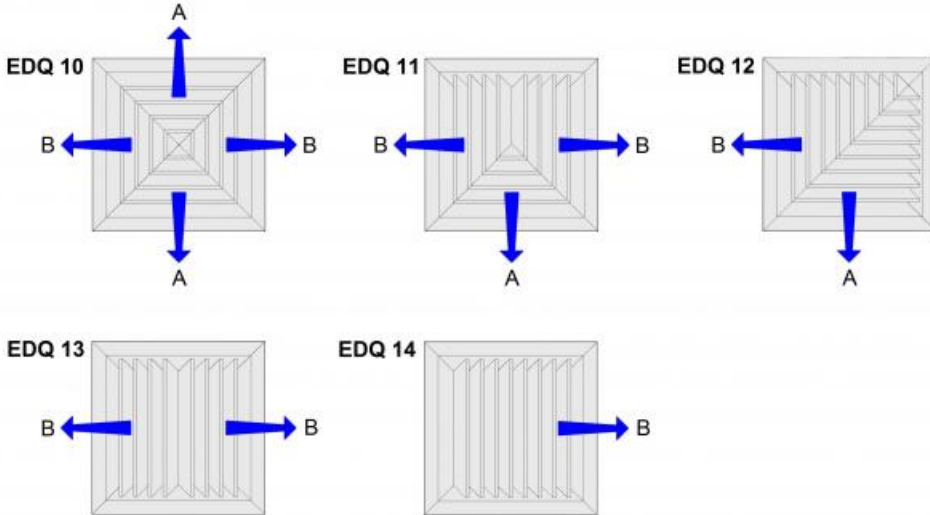
Pa: pressure drops in Pascal

L(m): air throw in metres calculated on ceiling installation, terminal velocity 0.25 m/s

dB(A): noise level

all dimensions are expressed in mm.

| dimensions HxL | Vk (m/s)<br>effective cross-section m <sup>2</sup> | 3                 |      | 4                 |      | 5                 |      | 6                 |      |
|----------------|--|-------------------|------|-------------------|------|-------------------|------|-------------------|------|
|                |  | m <sup>3</sup> /h | L(m) | m <sup>3</sup> /h | L(m) | m <sup>3</sup> /h | L(m) | m <sup>3</sup> /h | L(m) |
| 150x150        | 0,009  | 98                | 2,3  | 130               | 2,9  | 162               | 3,6  | 195               | 4,7  |
| 225x225        | 0,020  | 216               | 3,6  | 288               | 5    | 360               | 3,4  | 432               | 7,6  |
| 300x300        | 0,034  | 368               | 4,6  | 490               | 6,1  | 612               | 7,8  | 735               | 9,4  |
| 375x375        | 0,051  | 550               | 5,7  | 735               | 7,7  | 918               | 9,4  | 1101              | 11,3 |
| 450x450        | 0,074  | 800               | 7    | 1066              | 9,4  | 1332              | 11,6 | 1598              | 13,5 |
| 525x525        | 0,100  | 1080              | 8    | 1440              | 10,4 | 1800              | 13,5 | 2160              | 16   |
| 600x600        | 0,126  | 1360              | 8,3  | 2160              | 6,4  | 2700              | 7,8  | 3240              | 9,5  |
| pressure drop  | Pa   | 5                 |      | 10                |      | 15                |      | 20                |      |
| noise level    | dB(A)  | 20/25             |      | 30/35             |      | 35/40             |      | 40/45             |      |



### Operating data EDQ13

Vk: effective speed (m/s)

m<sup>3</sup>/h: flow rate

Pa: pressure drops in Pascal

L(m): air throw in metres calculated on ceiling installation, terminal velocity 0.25 m/s

dB(A): noise level

all dimensions are expressed in mm.

| dimensions HxL | Vk (m/s)<br>effective cross-section m <sup>2</sup> | 3                 |      | 4                 |      | 5                 |      | 6                 |      |
|----------------|--|-------------------|------|-------------------|------|-------------------|------|-------------------|------|
|                |  | m <sup>3</sup> /h | L(m) | m <sup>3</sup> /h | L(m) | m <sup>3</sup> /h | L(m) | m <sup>3</sup> /h | L(m) |
| 150x150        | 0,009  | 98                | 2,3  | 130               | 2,9  | 162               | 3,6  | 195               | 4,7  |
| 225x225        | 0,020  | 216               | 3,8  | 288               | 5,2  | 360               | 3,6  | 432               | 7,8  |
| 300x300        | 0,034  | 368               | 4,6  | 490               | 6,3  | 612               | 8,2  | 735               | 9,8  |
| 375x375        | 0,051  | 550               | 6    | 735               | 8    | 918               | 9,8  | 1101              | 11,8 |
| 450x450        | 0,074  | 800               | 7,1  | 1066              | 9,8  | 1332              | 12   | 1598              | 14   |
| 525x525        | 0,100  | 1080              | 8,4  | 1440              | 10,8 | 1800              | 14   | 2160              | 16,8 |
| 600x600        | 0,126  | 1360              | 8,6  | 1815              | 12   | 2268              | 13,8 | 2722              | 18   |
| pressure drop  | Pa   | 5                 |      | 10                |      | 15                |      | 20                |      |
| noise level    | dB(A)  | 20/25             |      | 30/35             |      | 35/40             |      | 40/45             |      |

### Operating data EDQ14

Vk: effective speed (m/s)

m<sup>3</sup>/h: air flow

Pa: pressure drop in Pascal

L(m): air throw in meters calculated on ceiling installation, terminal velocity 0.25 m/s

dB(A): noise level

Dimensions are expressed in mm

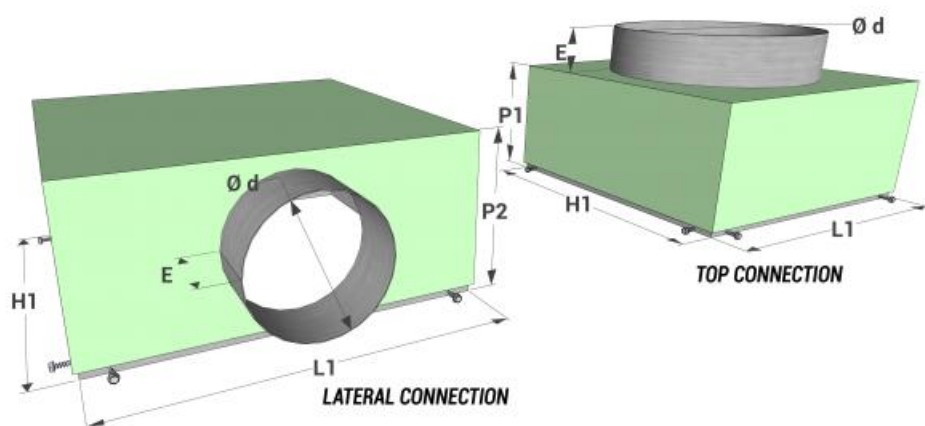
| dimensions HxL | Vk (m/s)<br>effective cross-section m <sup>2</sup> | 3                 |      | 4                 |      | 5                 |      | 6                 |      |
|----------------|--|-------------------|------|-------------------|------|-------------------|------|-------------------|------|
|                |  | m <sup>3</sup> /h | L(m) | m <sup>3</sup> /h | L(m) | m <sup>3</sup> /h | L(m) | m <sup>3</sup> /h | L(m) |
| 150x150        | 0,009  | 98                | 3,1  | 130               | 3,9  | 162               | 4,8  | 195               | 6,3  |
| 225x225        | 0,020  | 216               | 5,2  | 288               | 7    | 360               | 4,9  | 432               | 10,5 |
| 300x300        | 0,034  | 368               | 6,5  | 490               | 8,1  | 612               | 11   | 735               | 13,2 |
| 375x375        | 0,051  | 550               | 8,1  | 735               | 10,8 | 918               | 13,2 | 1101              | 16   |
| 450x450        | 0,074  | 800               | 9,9  | 1066              | 13,2 | 1332              | 16,2 | 1598              | 18,9 |
| 525x525        | 0,100  | 1080              | 11,3 | 1440              | 14,6 | 1800              | 18,4 | 2160              | 22   |
| 600x600        | 0,126  | 1360              | 11,5 | 1815              | 16   | 2268              | 18   | 2722              | 24   |
| pressure drop  | Pa   | 5                 |      | 10                |      | 15                |      | 20                |      |
| noise level    | dB(A)  | 20/25             |      | 30/35             |      | 35/40             |      | 40/45             |      |

## SC regulation damper

Galvanised steel regulation damper with blades with opposing movement.



## Plenum



| EDQ     | L1 x H1 | Ø d | P1  | P2  | E  |
|---------|---------|-----|-----|-----|----|
| 150x150 | 155x155 | 125 | 200 | 245 | 50 |
| 225x225 | 230x230 | 150 | 200 | 270 | 50 |
| 300x300 | 305x305 | 200 | 200 | 320 | 50 |
| 375x375 | 380x380 | 200 | 200 | 320 | 50 |
| 450x450 | 455x455 | 250 | 250 | 370 | 50 |
| 525x525 | 530x530 | 300 | 200 | 400 | 50 |
| 600x600 | 605x605 | 300 | 200 | 400 | 50 |

## Price list

Note: painted white RAL 9016 + 20%.

Item normally available from stock

| dimensions LxH | EDQ10       | EDQ11       | EDQ12       | EDQ13       | EDQ14       |
|----------------|-------------|-------------|-------------|-------------|-------------|
|                | <b>euro</b> | <b>euro</b> | <b>euro</b> | <b>euro</b> | <b>euro</b> |
| 150x150        | ▼           | ▼           | ▼           | ▼           | ▼           |
| 225x225        | ▼           | ▼           | ▼           | ▼           | ▼           |
| 300x300        | ▼           | ▼           | ▼           | ▼           | ▼           |
| 375x375        | ▼           | ▼           | ▼           | ▼           | ▼           |
| 450x450        | ▼           | ▼           | ▼           | ▼           | ▼           |
| 525x525        | ▼           | ▼           | ▼           | ▼           | ▼           |
| 600x600        | ▼           | ▼           | ▼           | ▼           | ▼           |

## Accessories

Item normally available from stock

| dimensions LxH | damper SC | lateral connection |                 | top connection    |                 |
|----------------|-----------|--------------------|-----------------|-------------------|-----------------|
|                |           | galvanized plenum  | isolated plenum | galvanized plenum | isolated plenum |
|                |           | EPZ-EDQ            | EPI-EDQ         | EPZ-EDQ           | EPI-EDQ         |
|                | euro      | euro               | euro            | euro              | euro            |
| 150x150        | ▼         | ▼                  | ▼               | ▼                 | ▼               |
| 225x225        | ▼         | ▼                  | ▼               | ▼                 | ▼               |
| 300x300        | ▼         | ▼                  | ▼               | ▼                 | ▼               |
| 375x375        | ▼         | ▼                  | ▼               | ▼                 | ▼               |
| 450x450        | ▼         | ▼                  | ▼               | ▼                 | ▼               |
| 525x525        | ▼         | ▼                  | ▼               | ▼                 | ▼               |
| 600x600        | ▼         | ▼                  | ▼               | ▼                 | ▼               |