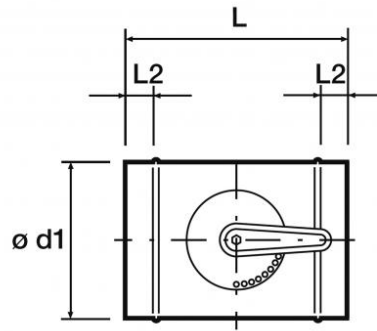


EDR Light regulation dampers



Description

Galvanized steel damper complete with manual control.



Characteristics

Spigot length :

- diameters from 80 to 250 mm L2 = 40 mm;
- diameters from 250 to 355 mm L2 = 60 mm;
- diameter from 400 to 500 mm L2 = 80 mm.

Loader supports features:

- diameters from 80 to 280 mm polyoxymethylene support;
- diameters from 400 to 500 mm aluminum support.

On demand

Pin and plate for motorization.

Dimensions and price list

Dimensions are expressed in mm.

Item normally available from stock					
modell d1	L	Damper EDR	modell d1	L	Damper EDR
		euro			
80	200	▼	250	220	▼
100	200	▼	280	250	▼
125	200	▼	300	250	▼
140	200	▼	315	250	▼
150	200	▼	355	250	▼
160	200	▼	400	250	▼
180	200	▼	450	250	▼
200	220	▼	500	390	▼

Recommended servomotors

		Servomotor WITHOUT SPRING RETURN	
		CM	LM..A
Couple		2 Nm	5 Nm
Universal pin size (mm):		6-12,7	6-20
For damper up to:		0,4 m ²	1 m ²
ON/OFF 3-Point	AC /DC 24 V	CM24-L	LM24A
	AC /DC 24 V With auxiliary contact		LM24A-S
	AC 230 V	CM230-L	LM230A
	AC 230 V With auxiliary contact		LM230A-S
MODULANT Comand 0...10V	AC /DC 24 V	CM24-SR-L	LM24A-SR
	AC /DC 24 V With auxiliary contact		
	AC 230 V		LM230ASR

		Servomotor WITH SPRING RETURN	
		TF	LF
Couple		2,5 Nm	4 Nm
Universal pin size (mm):		6-12,7	8-16
For damper up to:		0,5 m ²	0,8 m ²
ON/OFF 3-Point	AC /DC 24 V	TF24	LF24
	AC /DC 24 V With auxiliary contact	TF24-S	LF24-S
	AC 230 V	TF230	LF230
	AC 230 V With auxiliary contact	TF230-S	LF230-S
MODULANT Comand 0...10V	AC /DC 24 V	TF24-SR	LF24-SR
	AC /DC 24 V With auxiliary contact		
	AC 230 V	TF230-SR	

Accessories for installation servomotors

To install the servomotor on the EDR damper it is necessary to purchase a specific pin and a specific plate.

Item normally available from stock		
Description		Euro
Short pin L = 60mm (suitable for installation on CM LM ... A series servomotors)		▼
Short plate (suitable for installation on CM LM ... A TF series servomotors)		▼
Long pin L = 100mm (suitable for installation on TF LF series servomotors)		▼
Long plate (suitable for installation on LF series servomotors)		▼