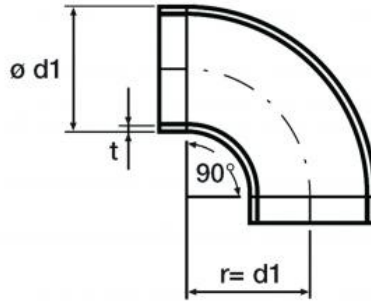


BS Pressed bends and sectoral bends



Description

Pressed and seam welded bend in galvanized sheet and aisi 316.



Characteristics

Sheet thickness :
 - diameters 80-300 mm $t = 0,6$ mm;
 - diameter 315 mm $t = 0,7$ mm;
 - stainless steel AISI 316 $t = 0,7$ mm.

Spigot lengtht :
 - diameters 80-250 mm = 40 mm;
 - diameters 280-315 mm = 60 mm.

Dimensions and price list

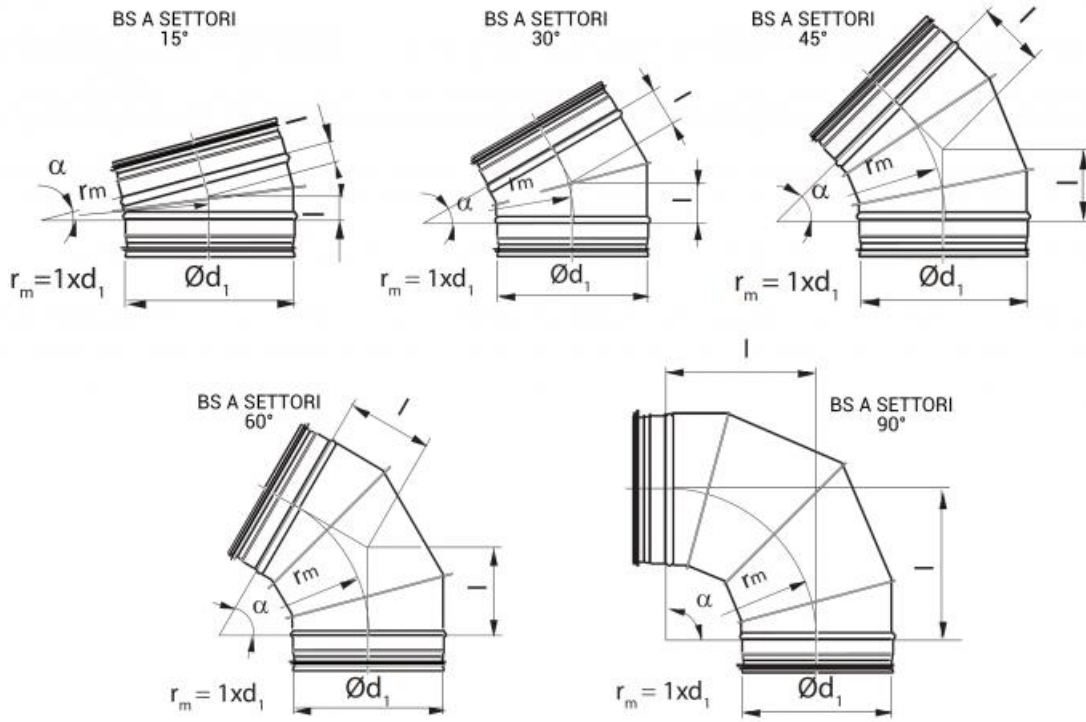
Dimensions are expressed in mm.

The diameter 200 mm bend is not in conformity with the drawing.

Item normally available from stock								
model d1	bends BS15 BS30 BS45				bends BS60 BS90			galvanized welded airtight bends with seal BSG90
	galvanized BS15	galvanized BS30	galvanized BS45	stainless steel AISI 316 BS45	galvanized BS60	galvanized BS90	stainless steel AISI 316 BS90	
	euro	euro	euro	euro	euro	euro	euro	euro
80	✓	✓	✓	✓	✓	✓	✓	✓
100	✓	✓	✓	✓	✓	✓	✓	✓
120	✓	✓	✓	✓	✓	✓	✓	✓
125	✓	✓	✓	✓	✓	✓	✓	✓
140	✓	✓	✓	✓	✓	✓	✓	✓
150	✓	✓	✓	✓	✓	✓	✓	✓
160	✓	✓	✓	✓	✓	✓	✓	✓
180	✓	✓	✓	✓	✓	✓	✓	✓
200	✓	✓	✓	✓	✓	✓	✓	✓
250	✓	✓	✓	✓	✓	✓	✓	✓
280	✓	✓	✓	✓	✓	✓	✓	✓
300	✓	✓	✓	✓	✓	✓	✓	✓
315	✓	✓	✓	✓	✓	✓	✓	✓

Sectoral bends dimensions





Ød1 mm	BS A SETTORI 15°			Euro	BS A SETTORI 30°			Euro	BS A SETTORI 45°			Euro	BS A SETTORI 60°			Euro	BS A SETTORI 90°			Euro
	l mm	kg			l mm	kg			l mm	kg			l mm	kg			l mm	kg		
355	47	1,41	a.r.	95	1,70	a.r.	147	2,26	a.r.	205	2,80	a.r.	355	3,75	a.r.					
400	53	1,70	a.r.	107	2,27	a.r.	166	2,96	a.r.	231	3,47	a.r.	400	5,64	a.r.					
450	59	2,20	a.r.	121	3,00	a.r.	186	4,00	a.r.	260	4,70	a.r.	450	7,00	a.r.					
500	66	2,65	a.r.	134	3,70	a.r.	207	4,90	a.r.	289	6,00	a.r.	500	8,20	a.r.					