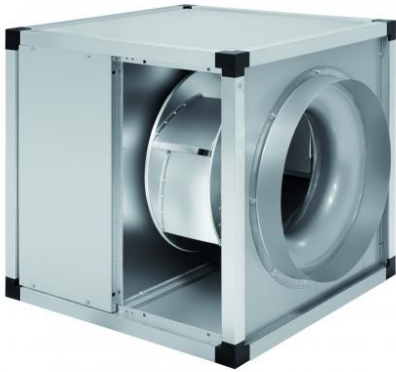


EVKABB - EVKABT ECOWATT Self-cleaning ventilation units



Description

Self-cleaning ventilation units made from galvanised steel plates, double-wood sandwich panels with acoustic nonflammable insulation (M0) in 17mm glass wool, dynamically balanced, aluminium centrifugal fan with backward-curved impellers, brushless DC motor situated outside the airflow, and a remote terminal box with built-in on/off switch.

Characteristic

High-performance, low-consumption, brushless DC motor.

EVKABB ECOWATT Models:
Single-phase 230V±10% 50/60Hz, IP55, Class F, with thermal protector, adjustable via potentiometer built into the remote terminal box or analogue input to control the fan with a 0-10V signal.
Models suitable for a range of working temperatures, from -20°C to +40°C.

EVKABT ECOWATT Models:
Three-phase 400V±10% 50/60Hz, IP55, Class F, with thermal protector, adjustable via potentiometer built into the remote terminal or analogue input to control the fan with a 0-10V signal.
Models suitable for a range of working temperatures, from -20°C to +40°C.

EVKABB ECOWATT and EVKABT ECOWATT are suitable for transferring air with temperatures up to 100°C in continuous service.

Accessories

REB ECOWATT speed regulator for EVKABB/EVKABT ECOWATT

Technical characteristics

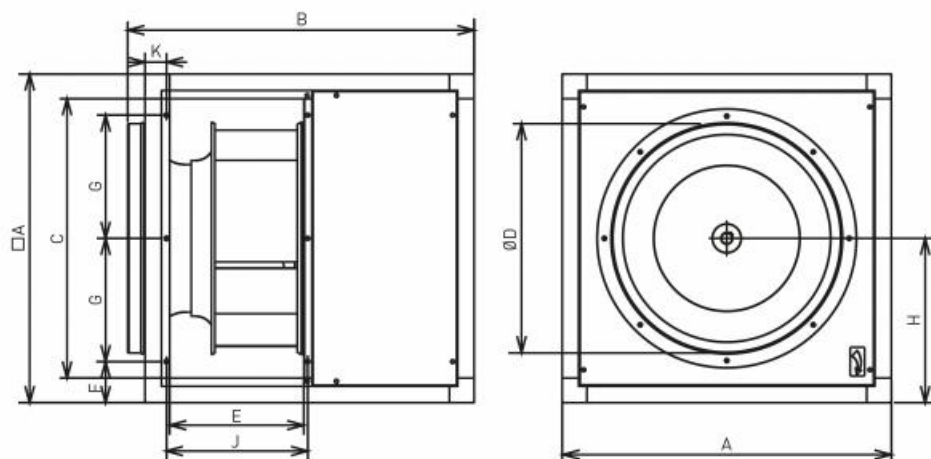
* Sound pressure level measured at 1,5m, in free field condition, at the medium point of the performance curve

Model	Control voltage	Speed (r.p.m.)	Maximum absorbed power (W)	Maximum absorbed intensity (A)	Maximum flow rate (m ³ /h)	Decibel level* (dB(A)) at 1,5 m			Weight (kg)
						Outlet	Inlet	Radiated	
EVKABB 3000/315 ECOWATT	10	1810	512	3,1	3.180	64	65	53	35
	8	1420	252	1,6	2.480	59	60	67	
	6	1010	100	0,7	1.760	51	53	40	
	4	620	31	0,3	1.070	41	42	29	
EVKABB 4000/355 ECOWATT	10	1820	865	4,9	4.740	67	67	52	44
	8	1420	865	2,6	3.700	61	62	46	
	6	1030	167	1,1	2.670	54	55	39	
	4	620	47	0,4	1.600	43	44	28	
EVKABB 6000/450 ECOWATT	10	1510	1062	6,0	6.350	67	68	52	59
	8	1190	527	3,1	5.010	62	63	47	
	6	860	213	1,4	3.550	55	56	40	
	4	540	67	0,5	2.220	45	45	30	
EVKABT 9000/500 ECOWATT	10	1440	1973	3,0	8.650	69	72	58	69
	8	1280	1362	2,1	7.700	67	69	55	
	6	1060	775	1,4	6.300	63	65	51	
	4	840	391	0,9	4.950	57	60	46	
EVKABT 12000/560 ECOWATT	10	1450	2496	3,8	11.360	74	76	67	95
	8	1270	1692	2,6	10.080	72	73	64	
	6	1070	971	1,6	8.390	68	69	60	
	4	830	467	0,9	6.410	62	63	55	

Aerulic performance

Model	Control voltage (V)	Static pressure Pa																		
		50	100	150	200	250	300	350	400	450	500	550	600	650	700	750	800	850	900	950
		Air flow m ³ /h a 50hz																		
EVKABB 3000/315 ECOWATT	4	730																		
	6	1520	1300	1000																
	8	2300	2200	2000	1875	1650	1375	950	200											
	10	3100	2875	2800	2700	2550	2400	2300	2170	1950	1700	1380	870							
EVKABB 4000/355 ECOWATT	4	1125																		
	6	2380	2125	1750	1150															
	8	3500	3300	3125	2875	2650	2375	1900	1550	500										
	10	4600	4450	4250	4125	3950	3800	3625	3400	3250	3000	2750	2375	2050	1625	250				
EVKABB 6000/450 ECOWATT	4	1500																		
	6	3200	2750	2250	1500															
	8	4700	4450	4200	3900	3600	3125	2700	1750											
	10	6150	5900	5750	5600	5300	5100	4850	4650	4250	4800	3500	3050	2250	375					
EVKABT 9000/500 ECOWATT	4	6000	5400	4900	4250	3500	1500													
	6	8000	7550	7250	6750	6400	5900	5400	4750	3750	1500									
	8	9750	9400	9050	8750	8400	8100	7750	7400	6900	6500	6000	5250	4500	3000					
	10	11050	10700	10500	10250	10000	9750	9400	9150	8750	8500	8150	7750	7400	6850	6400	5800	5000	3600	500
EVKABT 12000/560 ECOWATT	4	4700	4200	3750	3250	2250	500													
	6	6000	5700	5400	5100	4750	4400	4000	3000	1600	250									
	8	7400	7100	6900	6600	6400	6100	5850	5550	5300	4900	4250	3250	2150	1000					
	10	8400	8200	8000	7800	7600	7350	7100	6800	6600	6300	6100	5800	5500	5100	4300	3100	2200	1000	200

Dimensions



Model	A	B	C	D	E	F	G	H	J	K
EVKABB-3000/315 ECOWATT	505	547	405	315	204	100	152,5	253	225,5	40
EVKABB-4000/355 ECOWATT	550	592	450	355	230	100	175	275	248	40,5
EVKABB-6000/450 ECOWATT	630	675	530	450	248	100	215	315	269	40
EVKABT-9000/500 ECOWATT	710	753	590	500	276	100	255	355	293	51,5
EVKABT-12000/560 ECOWATT	800	844	680	560	326	100	300	400	343,5	51,5

Price list

Model	Euro
EVKABB-3000/315 ECOWATT	▼
EVKABB-4000/355 ECOWATT	▼
EVKABB-6000/450 ECOWATT	▼
EVKABT-9000/500 ECOWATT	▼
EVKABT-12000/560 ECOWATT	▼

Accessories

Description	Euro
REB ECOWATT speed regulator for EVKABB/EVKABT	▼