

EVTT BOOST In-line circular duct fans for air volumes up to 3350 m³/h



Description

Single-phase 3-speed circular duct fans with high efficiency and low energy consumption.

Characteristics

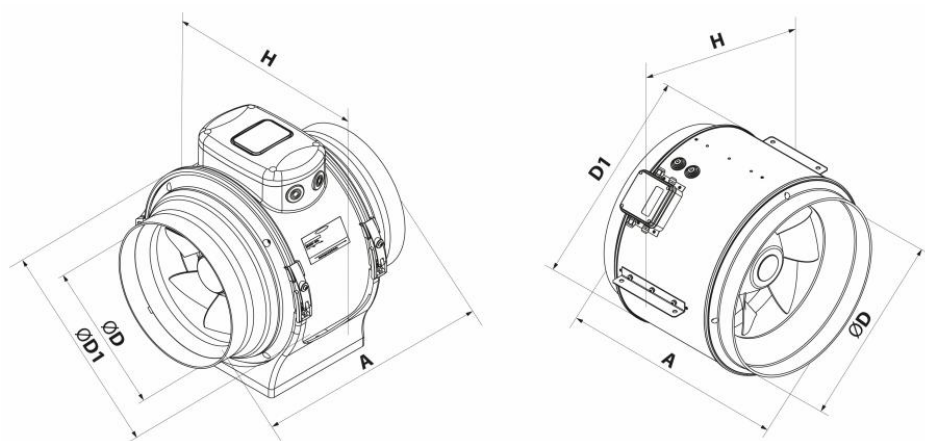
Material: high-strength polymer.
 Colour: black.
 Installation: on circular channel.
 Degree of protection: IPX4.

Use

- Flow rates from 752 to 3350 m³/h;
 - Static pressure up to 350 Pa.

Accessories

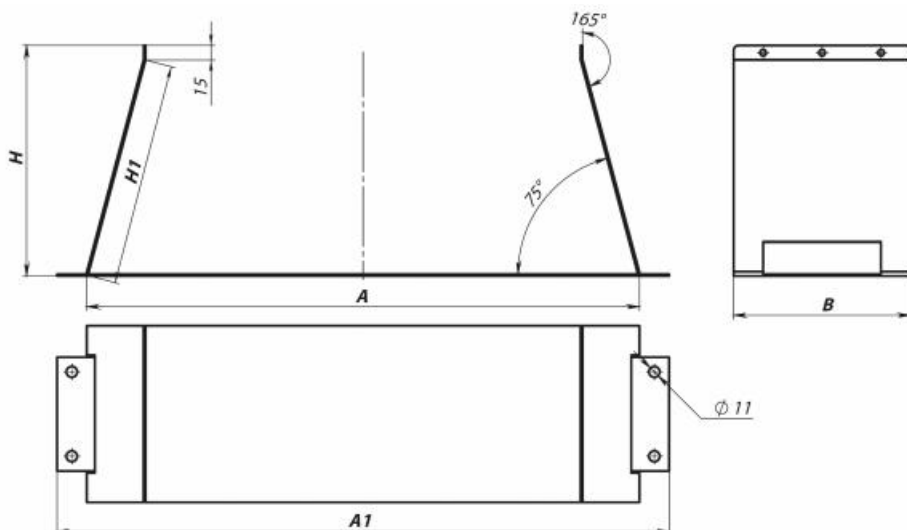
Electronic speed regulator RCS 300



EVTT BOOST dimensions

All dimensions are in millimeters.

model	A (mm)	Ø D (mm)	D1 (mm)	H (mm)
EVTT BOOST 200	302	198,5	293	308
EVTT BOOST 355	388	350	390	450
EVTT BOOST 400	388	395	441	500



EVTT BOOST support dimensions

model	A (mm)	A1 (mm)	H (mm)	H1 (mm)	B (mm)
EVTT BOOST 355	506	567	213	204	180
EVTT BOOST 400	563	624	235	228	180

Operating data

dB (A) : noise index to 3 m

modello	Velocità	giri r.p.m.	Massima portata aria m ³ /h	potenza assorbita		Temperatura massima dell'aria trasportata °C	dB(A)	portata m ³ /h							
				W	A			0 Pa	40 Pa	80 Pa	100 Pa	150 Pa	200 Pa	250 Pa	300 Pa
EVTT BOOST 200	Min.	1866	752	82	0,37	-25°C...+55°C	39	752	590	500	450	80			
	Med.	2400	978	101	0,45		46	978	860	750	720	580	400	70	
	Max.	2738	1140	113	0,51		50	1140	1080	970	920	800	650	320	150
EVTT BOOST 355	Min.	1350	2090	126	0,60	-25°C...+55°C	38	2090	1650	1300	1250	350			
	Med.	1400	2296	131	0,62		38	2296	1950	1750	1600	650			
	Max.	1470	2485	150	0,66		43	2485	2250	2100	1900	700	300		
EVTT BOOST 400	Min.	1320	2677	197	0,91	-25°C...+55°C	40	2677	2180	1800	1650	1000			
	Med.	1390	3136	204	0,93		42	3136	2800	2500	2350	1800	650		
	Max.	1446	3350	224	0,98		43	3350	3150	2800	2700	2740	800	300	

Price list

Item normally available from stock	
modello	euro
EVTT BOOST 200	▼
EVTT BOOST 355	▼
EVTT BOOST 400	▼

Speed control

Item normally available from stock	
Modello	Euro
RCS 300	▼