

## ERT200T Galvanised steel shut-off regulation dampers 200 mm pitch.



### Description

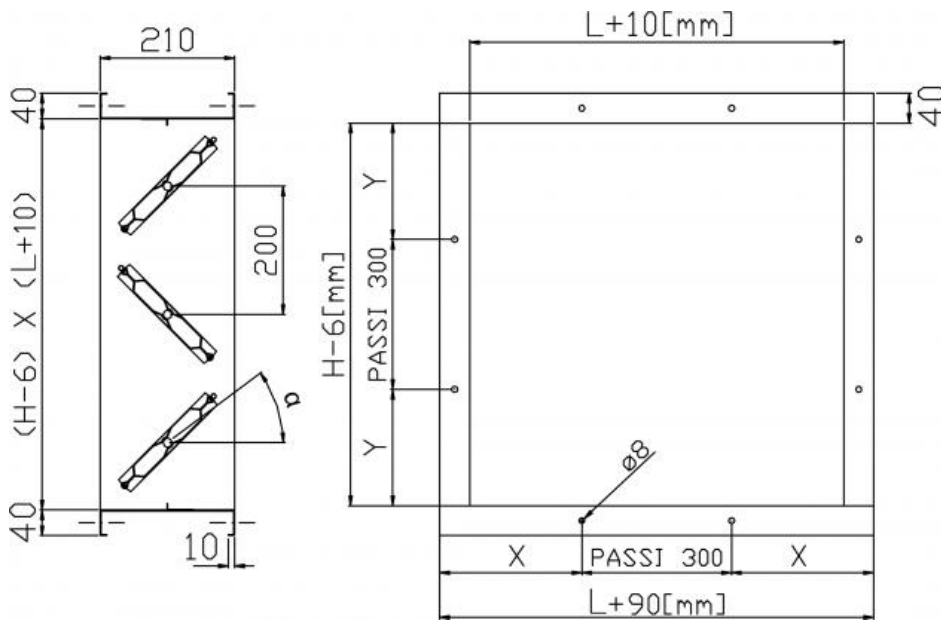
Regulation dampers with blade movement by means of gears located outside the air flow and special gaskets on the blades, capable of guaranteeing tightness class 4 according to the EN 1751 Standard.

### Characteristics

- 15/10 galvanised steel frame;
- galvanised steel honeycomb blades with special profile for housing gaskets, thickness 0.8+0.8 mm;
- blade pitch 200 mm;
- external levers to control the damper;
- bronze bushings;
- galvanised control pins  $\varnothing 8$  mm;
- lateral seal with stainless steel plates and single seal on each blade.

### On request

- With manual control R12;
- AISI 304 version;
- electric servomotor.



### Dimensional characteristics

L	No. holes $\varnothing 8$ mm	X
200	1	140
300	1	190
400	2	90
500	2	140
600	2	190
700	3	90
800	3	140
900	3	190
1000	4	90
1100	4	140
1200	4	190
1300	5	90
1400	5	140
1500	5	190

H	No. holes $\varnothing 8$ mm	Y
210	0	0
410	1	205
610	1	305
810	2	255
1010	3	205
1210	3	305
1410	4	255
1610	5	205
1810	5	305
2010	6	255

## Pressure drop and generated noise

V: crossing speed (m/s).

$\Delta p_t$  [Pa]: pressure drops in Pascal.

LwA [dB(A)]: noise level.

$\alpha$ : opening angle of the regulation damper, 0° the blades are fully open.

\*Speed not recommended.

Vk (m/s)	$\alpha$ 0°		$\alpha$ 30°		$\alpha$ 60°	
	$\Delta p_t$ [Pa]	LwA [dB(A)]	$\Delta p_t$ [Pa]	LwA [dB(A)]	$\Delta p_t$ [Pa]	LwA [dB(A)]
1	< 5	< 20	6	32	130	49
2	< 5	23	23	49	520	69
3	< 5	34	52	58	1185	16
4	< 5	42	94	66	1350	83
5	< 5	48	145	71	> 1500*	87
6	< 5	53	215	75	> 1500*	92

## Rotation torque required to open and close the damper

Surface area [m <sup>2</sup> ]	Servomotor	
	WITHOUT spring return [Nm]	WITH spring return [Nm]
< 0,20	20	10
< 1,50	30	20
< 2,20	40	40
< 3,00	60	40
< 4,00	-	80

## Price list

H	L													
	200	300	400	500	600	700	800	900	1000	1100	1200	1300	1400	1500
	euro	euro	euro	euro	euro	euro	euro	euro	euro	euro	euro	euro	euro	euro
210	▼	▼	▼	▼	▼	▼	▼	▼	▼	▼	▼	▼	▼	▼
410	▼	▼	▼	▼	▼	▼	▼	▼	▼	▼	▼	▼	▼	▼
610	▼	▼	▼	▼	▼	▼	▼	▼	▼	▼	▼	▼	▼	▼
810	▼	▼	▼	▼	▼	▼	▼	▼	▼	▼	▼	▼	▼	▼
1010	▼	▼	▼	▼	▼	▼	▼	▼	▼	▼	▼	▼	▼	▼
1210	▼	▼	▼	▼	▼	▼	▼	▼	▼	▼	▼	▼	▼	▼
1410	▼	▼	▼	▼	▼	▼	▼	▼	▼	▼	▼	▼	▼	▼
1610	▼	▼	▼	▼	▼	▼	▼	▼	▼	▼	▼	▼	▼	▼
1810	▼	▼	▼	▼	▼	▼	▼	▼	▼	▼	▼	▼	▼	▼
2010	▼	▼	▼	▼	▼	▼	▼	▼	▼	▼	▼	▼	▼	▼

## Manual control

Description	€
Manual control R12 pin $\varnothing$ 18mm	▼

