

EDLSV - EDLSVB Hidden linear diffusers



Description

Concealed linear diffusers for vmc systems with a 30 mm slot with an aerodynamic aluminium profile and adjustable deflectors for optimal air throw control.

Features

Materiale: aluminium.
Finishing: EDLSV: painted black Ral 9005

Finishing: EDLSVB: painted white Ral 9016
Slot: 30 mm.

Installation: by means of a plenum box with a bridge assembly system. Placement of anti-crack tape on the frame and subsequent plaster skimming.

Dimensions available:

- Length 500 mm;
- Length 800 mm.

Use

Diffuser suitable for air-supply or return in residential and commercial environments.

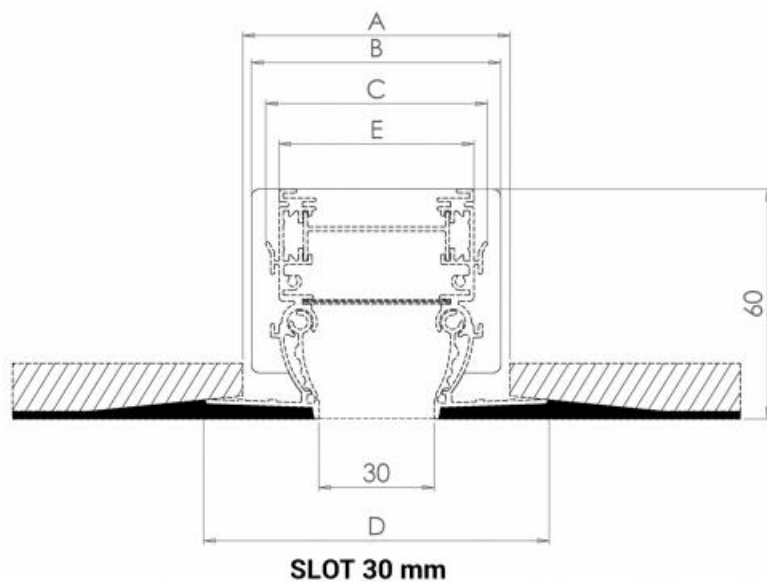
Models

-EDLSV - EDLSVB hidden linear diffusers with deflectors (supply) 30 mm slot.

Accessories

- isolated plenum;
- fixing bridges.

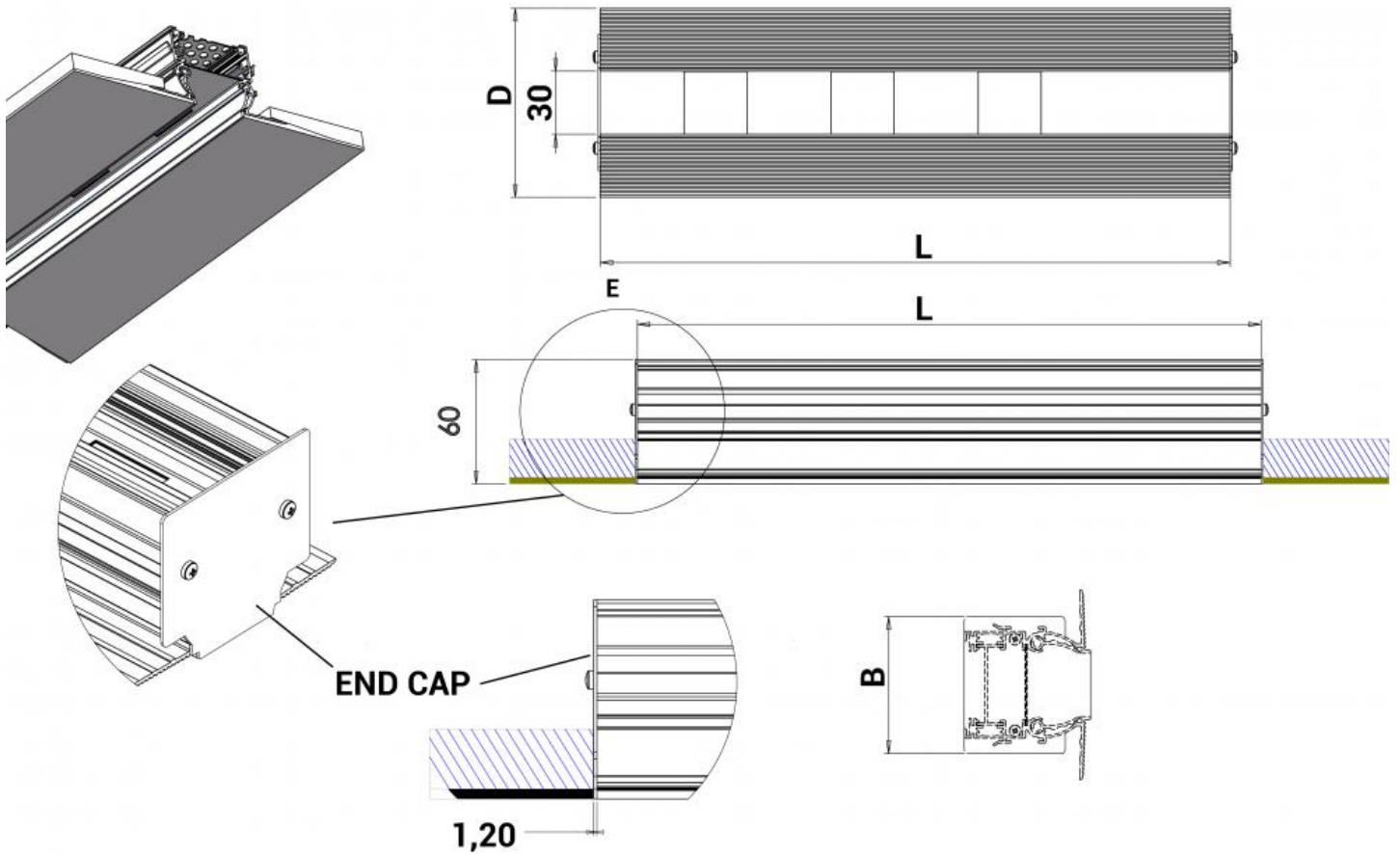
Hidden linear diffusers dimensions



Dimensions are expressed in mm

L	A	B	C	E	D	number of fixing bridges
500	70	65	58	51	90	2
800						2

Diffuser dimensional details



Operating data

Data referring a terminal throw velocity $V_t = 0.25$ m/s and with a temperature differential of 10/12°C in ceiling installation and side air throw.

Operation data concerning to diffuser without damper or with open sliding damper.

Operation data concerning to diffuser with deflectors in working position with 50% reduction of the effective air passage surface.

The position of the deflectors reduce the effective section. When the deflectors are open or in return mode, the air flow (m^3/h) could be increased.

Vk: effective speed (m/s)

m^3/h : air flow

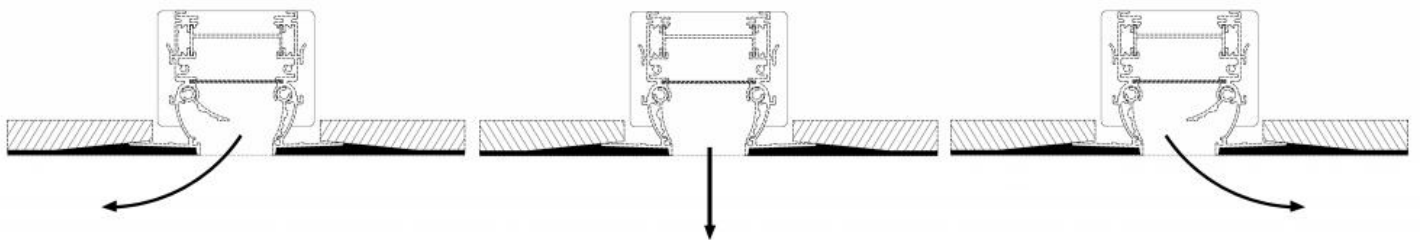
Pa: pressure drop in Pascal

L(m): air throw in meters

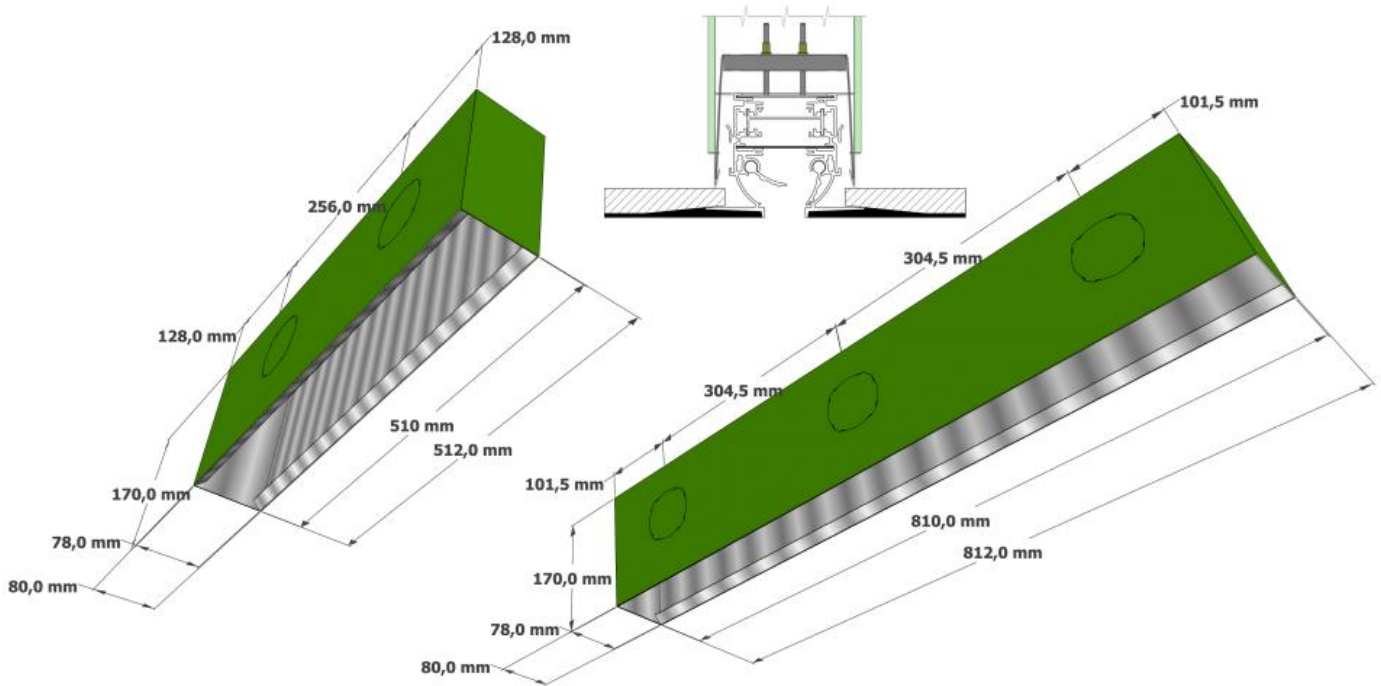
dB(A): noise level

Length EDLSVMC-EDLSVMCB	Effective section m^2	Air flow and throw						
		m^3/h	52	79	105	132	158	184
500 mm	0,0073	L(m)	1,6	2,5	3,4	4,2	6	5,8
		m^3/h	83	125	167	208	250	292
800 mm	0,0116	L(m)	1,6	2,5	3,4	4,2	5	5,8
		m^3/h	166	250	334	416	500	584
	Vk	m/s	2	3	4	5	6	7
	pressure drop	Pa	8	15	26	40	55	70
	noise index	dB(A)	<20	22	32	37	44	48

Features air throw



Plenum dimensions and mounting system with fixing bridges



PLENUM EPLS 500 including 2 sleeve type A Ø 63mm
 PLENUM EPLS 800 including 3 sleeve type A Ø 63mm

Damper type C and sleeve type B Ø 75mm optional to be purchased separately.



Price list EDLSV paint black RAL9005 with slot 30 mm

Item normally available from stock		
length EDLSV	EDLSV	PLENUM INSULATED EPLS
	euro	euro
500	∨	∨
800	∨	∨

Listino prezzi EDLSVB verniciato bianco RAL9016 con feritoia 30 mm

Item normally available from stock		
length EDLSVB	EDLSVB	PLENUM INSULATED EPLS
	euro	euro
500	∨	∨
800	∨	∨

Price list accessories

Item normally available from stock		
------------------------------------	--	--

fixing bridge	euro
fixing bridge for EDLSV EDLSVB	▼
Additional sleeve for tube Ø 75 mm inside in pack of 5 pieces	▼
Adjustment damper for connection diameter 63mm or 75mm inside in pack of 5	▼