

EPDS Differential air pressure



Description

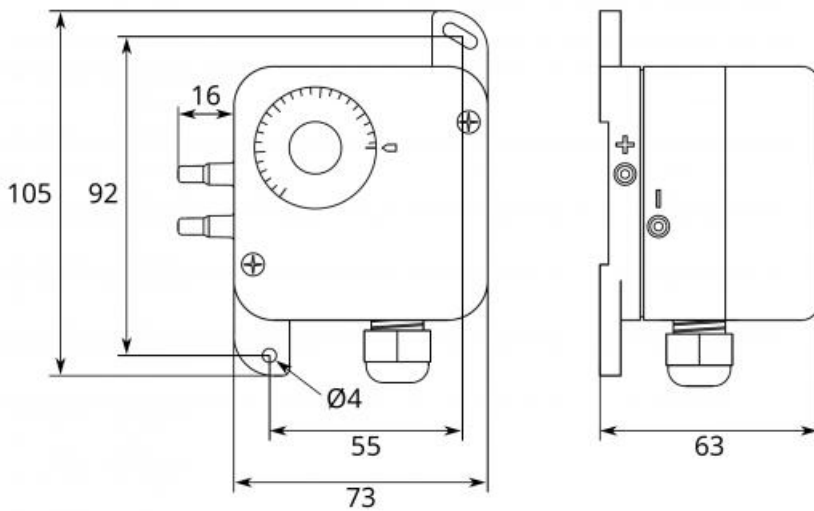
Differential air pressure switch for filters, fans, air ducts and air conditioning and ventilation systems.

Use

Differential air pressure switch for the control and security in air conditioning systems for the signalling of :

- stop of the fans
- clogging of filters
- power interruption of electric batteries in the absence of air.

Installed in environments with air and non-aggressive and non-flammable gases.

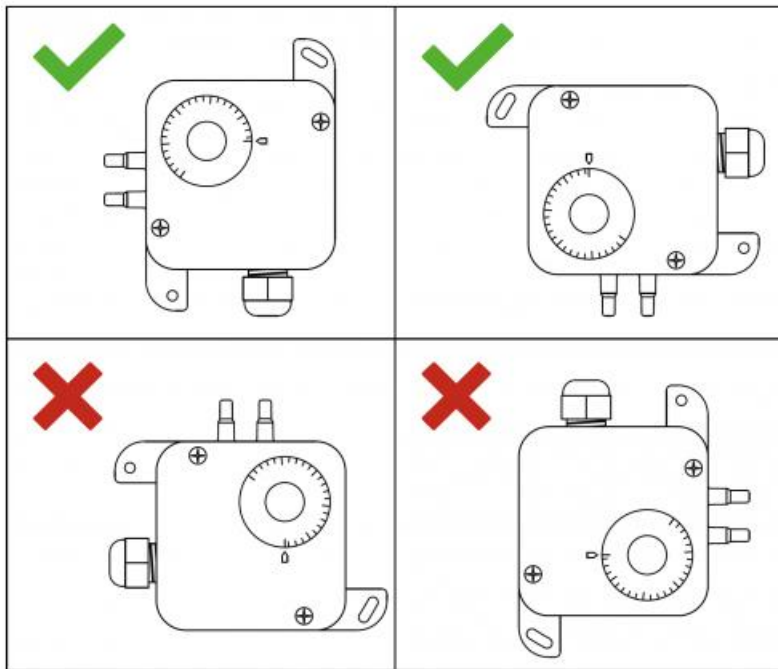


Operating data

Pa : pressure drop in Pascal

Modello	EPDS-200	EPDS-300	EPDS-500	EPDS-600	EPDS-1500	EPDS-4500
Scala Pa	20-200	30-300	30-500	40-600	100-1500	500-4500
Accuratezza	±8 Pa al limite inferiore, ±15 % al limite superiore				±20 Pa al limite inferiore, ±15 % al limite superiore	±100 Pa al limite inferiore, ±15 % al limite superiore
Differenziale commutazione (Pa)	20	25	25	35	80	250
Attacchi pressione	Ø5 mm					
Contatti elettrici	NO/NC, contatto in scambio					
Caratteristiche elettriche	250 Vac, 0,1 A (res.)		250 Vac, 3 A (res.), 2 A (ind.)			
Cablaggio elettrico	M16 - 1,5mm ²					
Temperatura di funzionamento (°C)	-20...+60					
Grado di protezione	IP54					

Installation



Price list

Tubetti e prese di pressione compresi nel pressostato.

Item normally available from stock		
	Modello	Euro
	EPDS-200	✓
	EPDS-300	✓
	EPDS-500	✓
	EPDS-600	✓
	EPDS-1500	✓
	EPDS-4500	✓