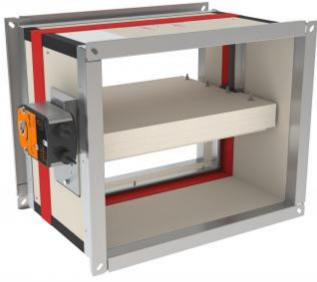


VUW120 smoke dampers with multiple compartment



Description

Smoke dampers with single blade for wall installation made according to the European Standard EN 12101-8 and tested according to the EN 1366-10 Standard. VUW120 has a fire resistance up to 120 minutes, EI 120 (Vew i ↔ o) S 1500 AA Multi C10000 and it is designed to allow for installation in an opening in a vertical aerated concrete wall with a minimum thickness of 100 mm and filled with mortar to separate two rooms.

Characteristics

Pressure tested up to 1500 Pa.
63 mm thick refractory blade.
Heat-expanding perimeter seal.
Standard connection on both sides with 30 mm flanges.
400 mm case.
Optimised free surface and minimal pressure drop.
Does not require maintenance.
For indoor use.
Operating temperature: max 50°C.
2 microswitches (one start and one end switch) already installed.

Standard version

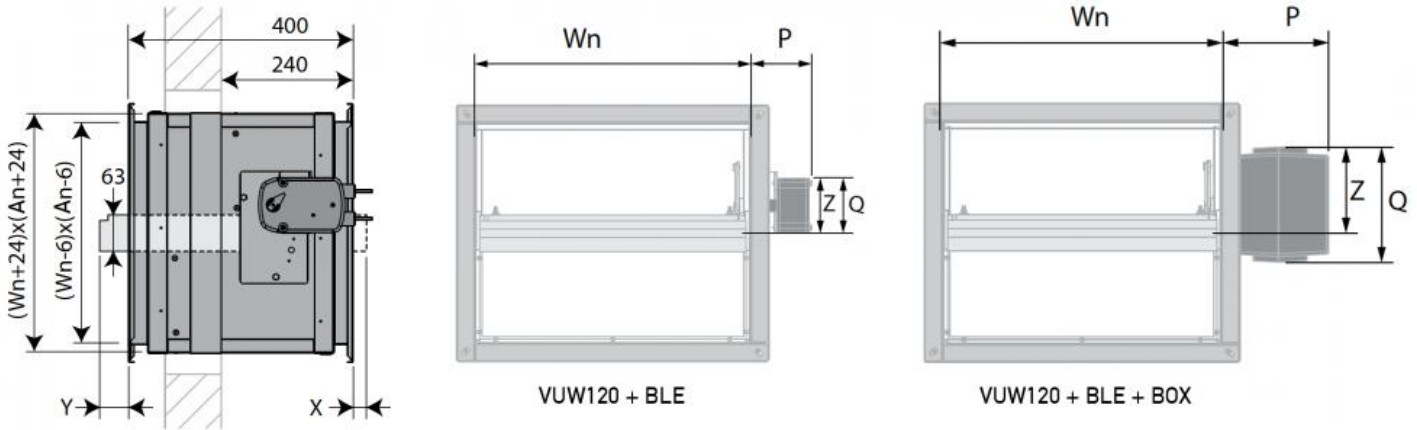
With Belimo servomotor drive without spring return: code VUW120 + BEN 24V

On request

With Belimo servomotor drive without spring return: code VUW120 + BEN 230V.
BNE BOX optional thermal protection housing to protect the motor from high temperatures.

Use

IT IS NORMALLY CALLED A SMOKE CONTROL DAMPER AND IT IS AN INTEGRAL PART OF THE SMOKE AND HEAT EVACUATION SYSTEM. It is used in ventilation systems to prevent the propagation of smoke through the ventilation system and/or to convey smoke produced by a fire outside the building. In fact, in the event of a fire, it must ensure the proper evacuation of smoke so that the escape routes are clear and personnel can evacuate the building. In the event of an emergency, the smoke damper can open to let the smoke out or close to prevent the propagation of smoke through the ventilation system.



Dimensions

X: blade coming out on servomotor side

Y: blade coming out on wall side

An(mm)	300	350	400	450	500	550	600	650	700	750	800	850	900	950	1000
X (mm)						1	26	51	76	101	126	151	176	201	226
Y (mm)	2	27	52	77	102	127	152	177	202	227	252	277	302	327	352

	BLE	BLE + BOX
P (mm)	112	193
Q (mm)	110	205
Z (mm)	98	152

Version with actuator VUW120 + BEN 24V - dimensions and price list

a.r. : price on request

	base (mm)								
height	300	350	400	450	500	550	600	650	700
mm	euro	euro	euro	euro	euro	euro	euro	euro	euro
300	▼	▼	▼	▼	▼	▼	▼	▼	▼
350	▼	▼	▼	▼	▼	▼	▼	▼	▼
400	▼	▼	▼	▼	▼	▼	▼	▼	▼
450	▼	▼	▼	▼	▼	▼	▼	▼	▼
500	▼	▼	▼	▼	▼	▼	▼	▼	▼
550	▼	▼	▼	▼	▼	▼	▼	▼	▼
600	▼	▼	▼	▼	▼	▼	▼	▼	▼
650	▼	▼	▼	▼	▼	▼	▼	▼	▼
700	▼	▼	▼	▼	▼	▼	▼	▼	▼
750	▼	▼	▼	▼	▼	▼	▼	▼	▼
800	▼	▼	▼	▼	▼	▼	▼	▼	▼
850	▼	▼	▼	▼	▼	▼	▼	▼	▼
900	▼	▼	▼	▼	▼	▼	▼	▼	▼
950	▼	▼	▼	▼	▼	▼	▼	▼	▼
1000	▼	▼	▼	▼	▼	▼	▼	▼	▼

	base (mm)								
height	750	800	850	900	950	1000	1050	1100	
mm	euro	euro	euro	euro	euro	euro	euro	euro	
300	▼	▼	▼	▼	▼	▼	▼	▼	
350	▼	▼	▼	▼	▼	▼	▼	▼	
400	▼	▼	▼	▼	▼	▼	▼	▼	
450	▼	▼	▼	▼	▼	▼	▼	▼	
500	▼	▼	▼	▼	▼	▼	▼	▼	
550	▼	▼	▼	▼	▼	▼	▼	▼	
600	▼	▼	▼	▼	▼	▼	▼	▼	
650	▼	▼	▼	▼	▼	▼	▼	▼	
700	▼	▼	▼	▼	▼	▼	▼	▼	
750	▼	▼	▼	▼	▼	▼	▼	▼	
800	▼	▼	▼	▼	▼	▼	▼	▼	
850	▼	▼	▼	▼	▼	▼	▼	▼	
900	▼	▼	▼	▼	▼	▼	▼	▼	
950	▼	▼	▼	▼	▼	▼	▼	▼	
1000	▼	▼	▼	▼	▼	▼	▼	▼	

	base (mm)								
height	1150	1200	1250	1300	1350	1400	1450	1500	
mm	euro	euro	euro	euro	euro	euro	euro	euro	
300	▼	▼	▼	▼	▼	▼	▼	▼	
350	▼	▼	▼	▼	▼	▼	▼	▼	
400	▼	▼	▼	▼	▼	▼	▼	▼	
450	▼	▼	▼	▼	▼	▼	▼	▼	
500	▼	▼	▼	▼	▼	▼	▼	▼	
550	▼	▼	▼	▼	▼	▼	▼	▼	
600	▼	▼	▼	▼	▼	▼	▼	▼	
650	▼	▼	▼	▼	▼	▼	▼	▼	
700	▼	▼	▼	▼	▼	▼	▼	▼	
750	▼	▼	▼	▼	▼	▼	▼	▼	
800	▼	▼	▼	▼	▼	▼	▼	▼	
850	▼	▼	▼	▼	▼	▼	▼	▼	
900	▼	▼	▼	▼	▼	▼	▼	▼	
950	▼	▼	▼	▼	▼	▼	▼	▼	
1000	▼	▼	▼	▼	▼	▼	▼	▼	

BNE BOX

The BNE BOX is an optional thermal protection housing. It is specially designed to protect the motor from high temperatures.

Model	Euro
BLE BOX	▼

