

EFCC Cartridge adsorbing filters

Description

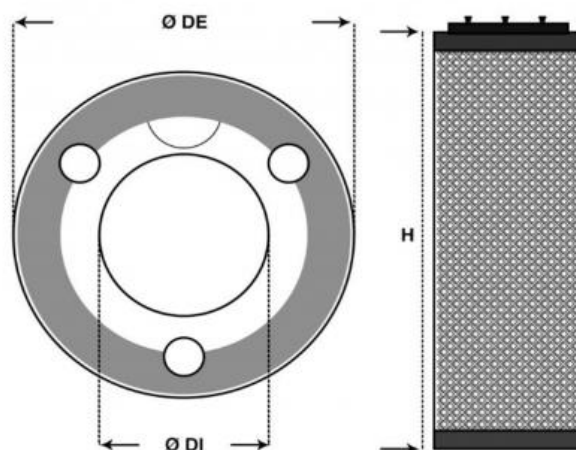
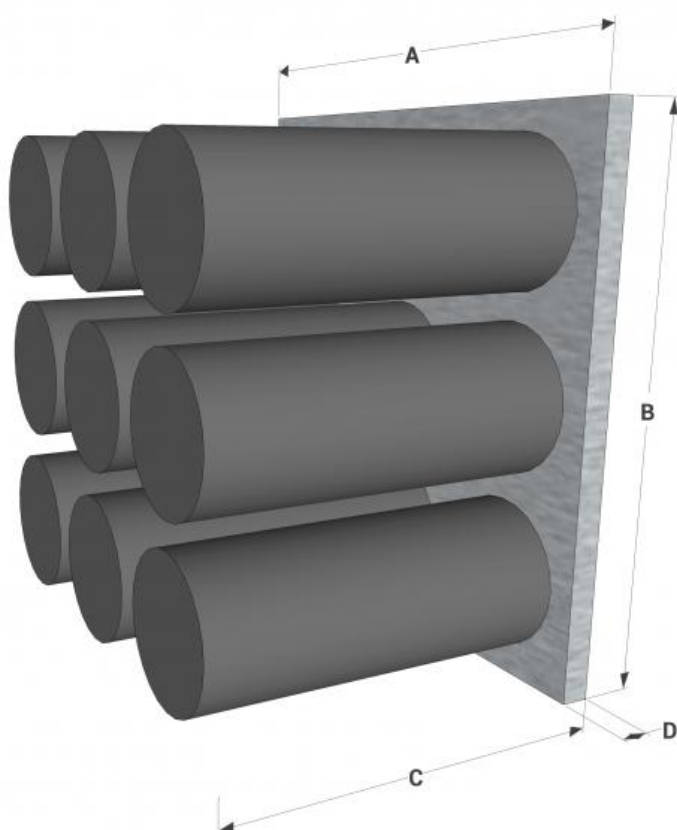
Adsorbing filter in cylindrical cartridges containing active carbon granules.

Characteristics

Material : painted galvanized steel plate and frame.
Galvanized steel cylinders.
Galvanized steel microstretched meshes.
Expanded neoprene seals.

Use

Absorption of odours, vapours, organic solvents.
For acid vapours, gaseous substances, toxic gases and radio isotopes on demand.



Dimensions

Dimensions are expressed in mm

modello	dimensioni A x B x C	D	cartucce n°	Ø cartuccia	Ø DE	Ø DI	H	peso carbone kg	portata consigliata m ³ /h
EFCC 5	610x305x430	37	5	160	164	95	400	15	1500
EFCC 9	610x610x430	37	9	160	164	95	400	27	3000
EFCC 8	610x305x430	37	8	140	143	68	400	20	2000
EFCC 16	610x610x430	37	16	140	143	68	400	40	3500

Operating data

Pa : pressure drop in Pascal

initial pressure drop	100/150 Pa
operating temperature	50°C
max temperature	80°C
max relative humidity	70%

Price list

a.r. : price on request

Item normally available from stock

model	filter EFCC	cartridge
	euro	euro
EFCC 5	▼	▼
EFCC 9	▼	▼
EFCC 8	▼	▼
EFCC 16	▼	▼