

# EDU - EDU/M Long range nozzle diffusers

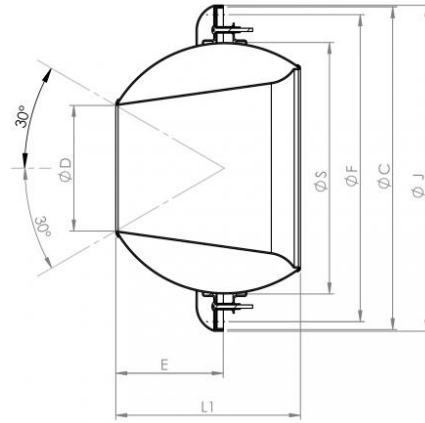


## Description

Long range aluminium diffusers, adjustable with a max. angle of 30°.

## Characteristics

Material: aluminium.  
 Finish: anodised aluminium.  
 Installation: with duct flange, with fitting for flexible duct or with fitting for rigid circular duct.  
 Installation height between 3 m and 30 m depending on the model.



## Models

EDU Long range nozzle diffusers.  
 EDU/M Long range nozzle diffusers with set-up for motor.

## Use

Rooms with very high ceilings or where a long and/or targeted air throw is needed.

## On request

- Servomotors for EDU/M: the servomotor is supplied disassembled from the long range diffuser (installation by the customer).
- Screw cover.
- Rear swirl (throw reducer).
- Fitting for flexible duct.
- Fitting for circular duct.
- RAL painting on request.



**EDU EDU/M senza  
coprighiera**  
**EDU EDU/M without  
screw cover**



**EDU EDU/M con  
coprighiera**  
**EDU EDU/M with  
screw cover**

## Dimensions

All dimensions are expressed in mm.

model	effective cross-section m <sup>2</sup>	ØD	ØS	ØC	ØF	E	L1	J	Ø hole
40	0,0013	40	80	135	119	41	61	139	115
50	0,0020	50	102	165	148	50	75	169	135
80	0,0050	80	160	245	226	52	118	249	205
110	0,0101	110	200	285	266	82	140	289	250
150	0,0177	150	300	385	366	128	220	389	352
200	0,0314	200	400	485	466	172	275	489	452
230	0,0415	230	400	485	466	160	265	489	452

## Operating data

Vk: effective speed (m/s)

m<sup>3</sup>/h: flow rate

Pa: pressure drops in Pascal

L(m): air throw in metres calculated on ceiling installation, terminal velocity 0.25 m/s

dB(A): noise level

From model 40 to 200 made with central cone.

Model 230 made without central cone.

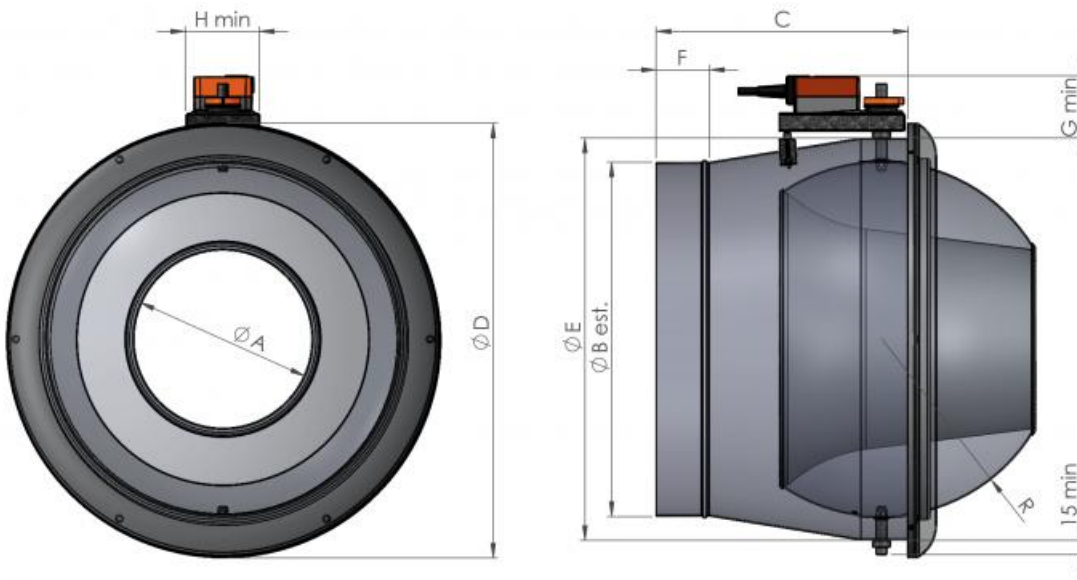
model	Vk (m/s)	2	4	6	8	10
40	m <sup>3</sup> /h	9	18	28	37	46
	L(m)	2,3	4,5	7,0	9,2	11,5
	Pa	2	11	27	48,0	75
	dB(A)	<20	<20	<20	<20	20
50	m <sup>3</sup> /h	14	28	43	57	72
	L(m)	3,0	6,0	9,0	11,0	14
	Pa	2	10	25	44	72
	dB(A)	<20	<20	<20	<20	21
80	m <sup>3</sup> /h	36	72	108	135	168
	L(m)	5,0	9,0	14,0	17,0	21,0
	Pa	2	9	21	34	54
	dB(A)	<20	<20	20	21	23
110	m <sup>3</sup> /h	73	145	218	291	364
	L(m)	5,3	10,4	15,6	20,8	25,9
	Pa	2	9	21	35	55
	dB(A)	<20	<20	20	23	27
150	m <sup>3</sup> /h	127	254	382	509	637
	L(m)	7,0	13,0	20,0	27,0	34,0
	Pa	2	8	19	34	55
	dB(A)	<20	<20	20	24	29
200	m <sup>3</sup> /h	226	452	678	904	1130
	L(m)	9,0	18	27	36,0	45
	Pa	2	8	18	32	51
	dB(A)	<20	<20	<20	23	28
230	m <sup>3</sup> /h	298	597	896	1195	1494
	L(m)	10,0	21,0	31,0	40,0	46,0
	Pa	2	7	17	31	50
	dB(A)	<20	<20	<20	22	27

### EDU/M Long range nozzle diffusers with set-up for motor

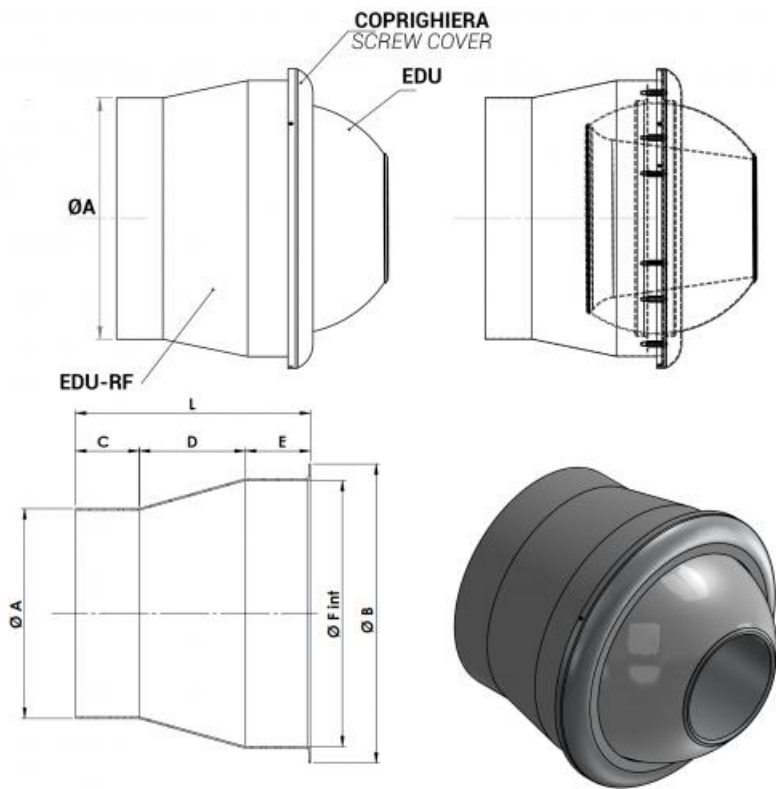
D\* Tailpiece cover

All measurements are expressed in mm.

Dn	A	B	C	D*	E	F	G min	H min	ON / OFF MOT.	MODULATING MOT.
80	80	158	200	258	204	50	38	60	CM24-L / CM230-L	CM24-SR-L
110	110	198	215	288	252	60	70	85	CM24-L / CM230-L	CM24-SR-L
150	150	313	283	388	352	60	70	85	CM24-L / CM230-L	CM24-SR-L
200	200	398	283	488	452	60	70	85	CM24-L / CM230-L	CM24-SR-L
230	230	398	283	488	452	60	70	85	CM24-L / CM230-L	CM24-SR-L



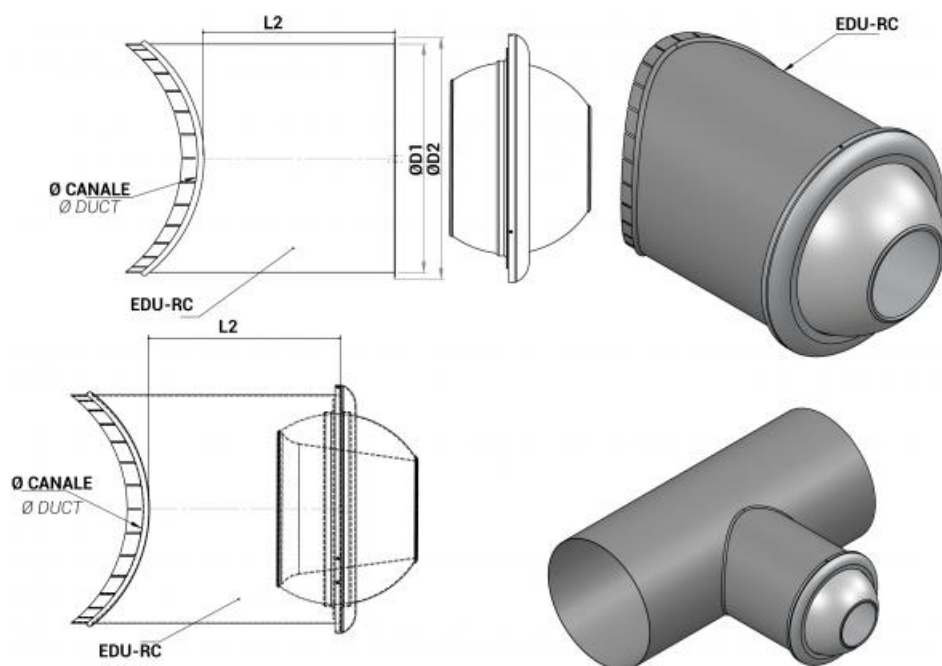
### Fitting for flexible duct EDU-RF



All dimensions are expressed in mm.

model	ØA	ØB	C	D	E	Ø F int	L
EDU-RF 40	78	129	40	40	40	113	120
EDU-RF 50	98	158	60	40	60	138	160
EDU-RF 80	158	230	60	100	60	210	220
EDU-RF 110	198	280	60	100	60	250	220
EDU-RF 150	248	378	60	130	60	358	250
EDU-RF 200	398	480	60	170	60	460	290
EDU-RF 230	398	480	60	170	60	460	290

#### Fitting for circular duct EDU-RC



All dimensions are expressed in mm.

model	L2	Ø D1	Ø D2	Ø duct	
				min	max
EDU-RC 40	150	113	129	160	450
EDU-RC 50	150	138	158	200	500
EDU-RC 80	200	210	230	315	630
EDU-RC 110	300	256	276	315	800
EDU-RC 150	300	358	378	500	800
EDU-RC 200	350	460	480	500	1000
EDU-RC 230	350	460	480	500	1000

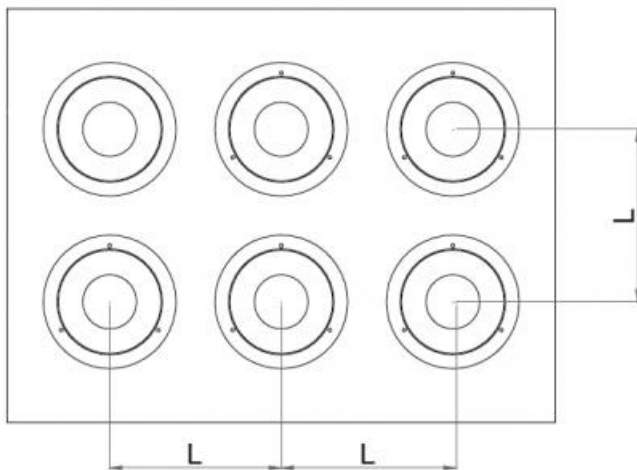
### Swirl deflector

The swirl deflector installed at the back of the nozzle diffuser generates a rotary motion that increases induction and reduces the throw of the diffuser by 40% and is particularly suitable for the supply of high air flow rates in medium-sized rooms as it prevents sensitive air currents in the occupied area.



### Assembly in sets

model	L minimum distance (mm)
40	170
50	210
80	300
110	350
150	430
200	550
230	550



### Price list

Item normally available from stock											
model	EDU nozzle	EDU/M with set-up for motor	Servomotor for EDU/M				screw cover	deflector swirl	EDU-RF Fitting for flexible duct	fitting EDU-RC for circular duct	
			ON / OFF		MODULATING						
			24V	230V	24V	230V					
	euro	euro	euro	euro	euro	euro	euro	euro	euro		
40	▼	-	-	-	-	-	▼	-	▼	▼	
50	▼	-	-	-	-	-	▼	▼	▼	▼	
80	▼	▼					▼	▼	▼	▼	
110	▼	▼					▼	▼	▼	▼	
150	▼	▼	▼	▼	▼	-	▼	▼	▼	▼	
200	▼	▼					▼	▼	▼	▼	
230	▼	▼					▼	▼	▼	▼	