

EDRA Circular diffusers with adjustable cones



Description

Aluminium circular diffusers with micrometric cone adjustment.

Characteristics

Material: aluminium and steel.
Finish: painted white RAL 9010.
Installation: secured with screws to the diffuser neck.

Use

Ducted air conditioning and treatment systems with installation height between 2.7 and 6 m.

Models

- EDRA circular diffusers with adjustable cones
- EDRA-PQ circular diffusers with adjustable cones on square panel 595x595 mm

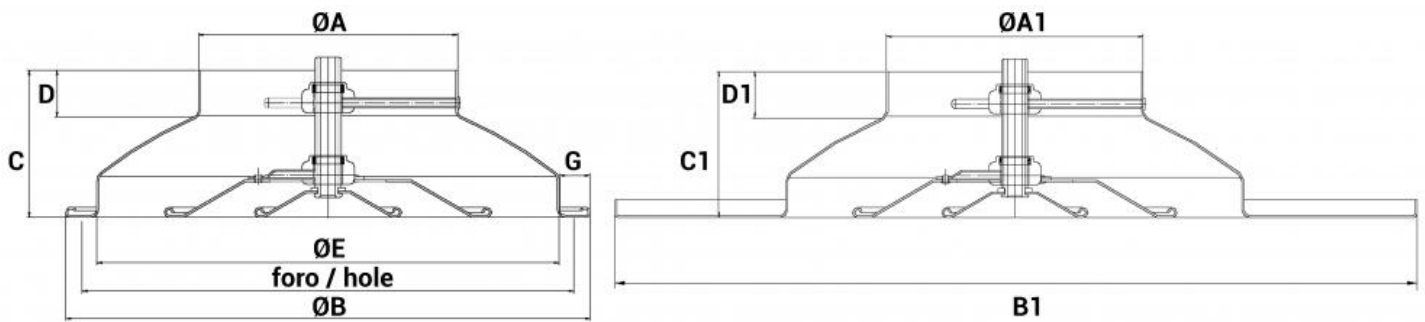
Accessories

- EPZ-DC galvanised plenum;
- EPI-DC insulated plenum;
- SD damper;
- EQUA equaliser;
- Fixing clips kit.

On request

Cone positioning adjustment via thermostatic control.

Dimensions



All dimensions are expressed in mm

model	EDRA							EDRA-PQ			
	Ø A	Ø B	Ø E	Ø foro	C	D	G	Ø A1	B1 x B1	C1	D1
100	96	250	195	225	85	33	25	96	595 x 595	85	33
150	146	330	280	308	90	25	23	148	595 x 595	90	23
160	156	330	280	308	90	27	23	156	595 x 595	90	28
200	196	445	370	410	115	37	35	196	595 x 595	115	37
250	246	535	460	500	135	37	35	246	595 x 595	135	37
300	296	655	560	610	170	45	45	296	595 x 595	115	45
315	311	655	560	610	170	48	45	311	595 x 595	115	44
350	346	763	650	709	195	60	54	-	-	-	-
400	396	793	680	740	195	60	52	-	-	-	-
450	444	843	730	790	195	60	52	-	-	-	-
500	496	893	782	842	195	60	52	-	-	-	-
630	624	1045	929	991	210	55	54	-	-	-	-

Operating data

Vk: effective speed (m/s)

m³/h: flow rate

Pa: pressure drops in Pascal

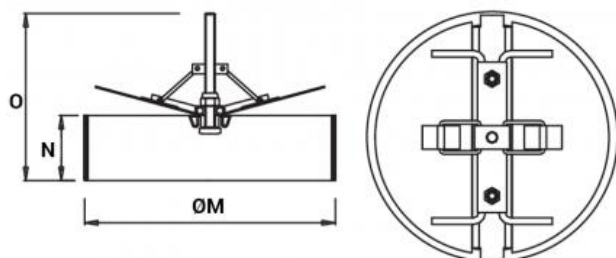
L(m): air throw in metres calculated on ceiling installation, terminal velocity 0.25 m/s

dB(A): noise level

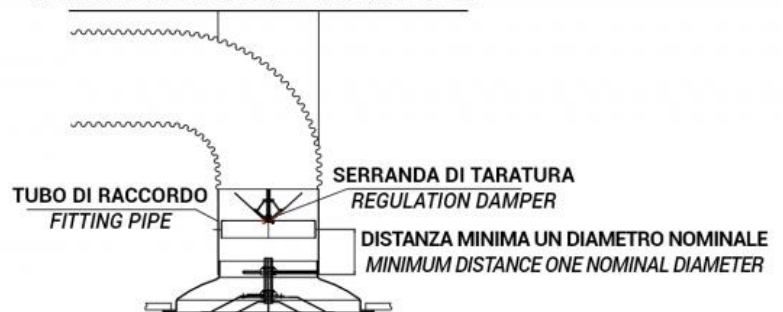
Model	effective cross-section m ²	Vk	2	3	4	5	6
		100	0,0059	m ³ /h Pa L(m)	42 7,6 0,4	63 17,2 0,6	84 30,6 0,8
150	0,0149	m ³ /h Pa L(m)	107 6,3 0,7	161 14,2 1,1	216 25,2 1,5	268 39,4 1,9	322 56,8 2,2
160	0,0167	m ³ /h Pa L(m)	120 6,1 0,8	181 13,8 1,2	241 24,5 1,7	301 38,3 2,1	361 55,1 2,5
200	0,0279	m ³ /h Pa L(m)	201 5,5 1,2	301 12,5 1,7	402 22,2 2,3	502 34,7 2,9	602 49,9 3,5
250	0,0448	m ³ /h Pa L(m)	323 5,0 1,5	484 11,3 2,4	645 20,1 3,2	806 31,5 4,1	968 45,3 4,9
300	0,0656	m ³ /h Pa L(m)	473 4,6 2,1	709 10,5 3,2	945 18,6 4,2	1181 29,1 5,3	1418 41,8 6,3
315	0,0726	m ³ /h Pa L(m)	523 4,6 2,3	785 10,3 3,4	1046 18,2 4,5	1308 28,5 5,7	1569 41,1 6,8
350	0,0904	m ³ /h Pa L(m)	651 4,4 2,6	976 9,9 4,0	1302 17,6 5,3	1627 27,5 6,6	1953 39,6 7,9
400	0,1175	m ³ /h Pa L(m)	846 4,1 3,2	1269 9,3 4,7	1692 16,5 6,3	2116 25,8 7,9	2539 37,2 9,5
450	0,1500	m ³ /h Pa L(m)	1080 4,0 3,7	1620 8,9 5,6	2160 15,8 7,4	2700 24,7 9,3	3240 35,8 11,1
500	0,1863	m ³ /h Pa L(m)	1342 3,8 4,3	2013 8,5 6,4	2684 15,0 8,6	3355 23,5 10,7	4026 33,8 12,9
630	0,2994	m ³ /h Pa L(m)	2156 3,2 6,4	3233 7,1 9,6	4311 12,7 12,8	5389 19,9 16,0	6467 28,6 19,2
	noise level						
		dB(A)	20	25	30	35	40

SD regulation damper

The SD butterfly regulation damper is suitable for installation on circular diffusers, it is made of galvanised steel and it comes with a sturdy adjustable opening/closing mechanism, which prevents vibrations and noise. The damper is adjusted by turning the adjustment screw using a screwdriver, by inserting it into the hole on the threaded bar of the diffuser.



INSTALLAZIONE DEL DIFFUSORE CON TUBO FLESSIBILE INSTALLING THE DIFFUSER WITH FLEXIBLE DUCT

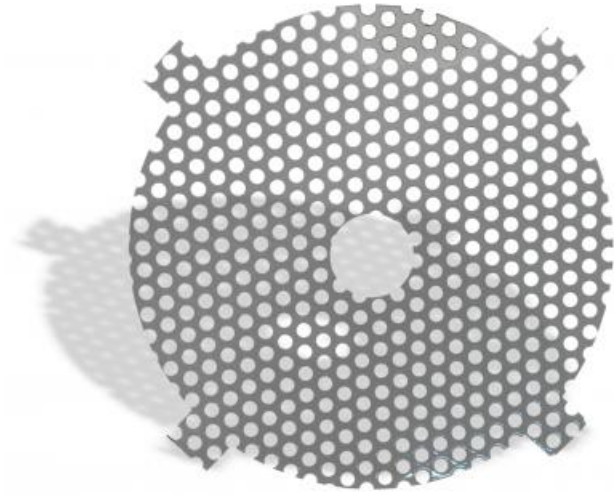


All dimensions are expressed in mm

Model	ØM	N	O
100	95	39	100
150	145	39	100
160	155	39	100
200	195	39	100
250	245	39	100
300	295	39	100
315	310	39	100
350	345	39	100
400	395	39	100
450	445	39	100
500	495	39	100
630	545	39	100

EQUA equaliser

The equaliser is an accessory used to split the air and distribute it evenly at the diffuser outlet.



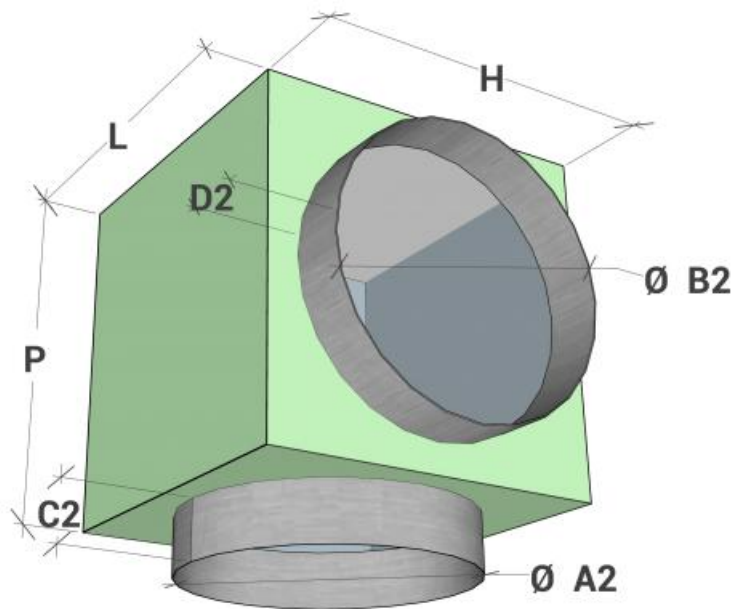
Fixing clips

Fixing clips for installation on plasterboard false ceilings or rigid false ceilings (3 pieces per pack).



Plenum EPZ-DC EPI-DC

All measurements are expressed in mm.



model	L	H	P	ØA2 Diffuser	ØB2 duct - flexible or rigid	C2	D2
100	200	200	200	102	95	70	100
150	250	250	250	152	145	70	100
160	250	250	250	162	155	70	100
200	300	300	300	202	195	70	100
250	350	350	350	252	245	70	100
300	400	400	400	302	295	70	100
315	400	400	400	317	310	70	100
350	450	450	450	352	345	70	100
400	500	500	500	402	395	70	100
450	550	550	550	453	445	70	100
500	600	600	600	503	495	70	100
630	730	730	730	632	600	70	100

Price list

Item normally available from stock						
Model	EDRA diffuser	diffuser on panel 595x595 EDRA-PQ	SD damper	EQUA equaliser	EPZ-DC	
					galvanised plenum	EPI-DC insulated plenum
	euro	euro	euro	euro	euro	euro
100	▼	▼	▼	▼	▼	▼
150	▼	▼	▼	▼	▼	▼
160	▼	▼	▼	▼	▼	▼
200	▼	▼	▼	▼	▼	▼
250	▼	▼	▼	▼	▼	▼
300	▼	▼	▼	▼	▼	▼
315	▼	▼	▼	▼	▼	▼
350	▼		▼	▼	▼	▼
400	▼		▼	▼	▼	▼
450	▼		▼	▼	▼	▼
500	▼		▼	▼	▼	▼
630	▼		▼	▼	▼	▼

Price list

Item normally available from stock	
Fixing clips kit (3 pcs)	euro
EDRA 100-160	▼
EDRA 200-250	▼
EDRA 300-315	▼