

EDRF - EDRFQ Fixed geometry diffusers



Description

High induction swirl diffusers with fixed deflector blades.

Characteristics

Material: steel plate.
Finish: painted white RAL 9010.
Installation: secured with screws to the diffuser neck.

Use

Diffuser suitable for installation heights between 2.5 and 4 m.

Models

EDRF: high induction swirl diffusers with fixed deflector blades on circular panel;
EDRFQ: high induction swirl diffusers with fixed deflector blades on square panel or on 595x595 panel suitable for installation on 600x600 square false ceilings.

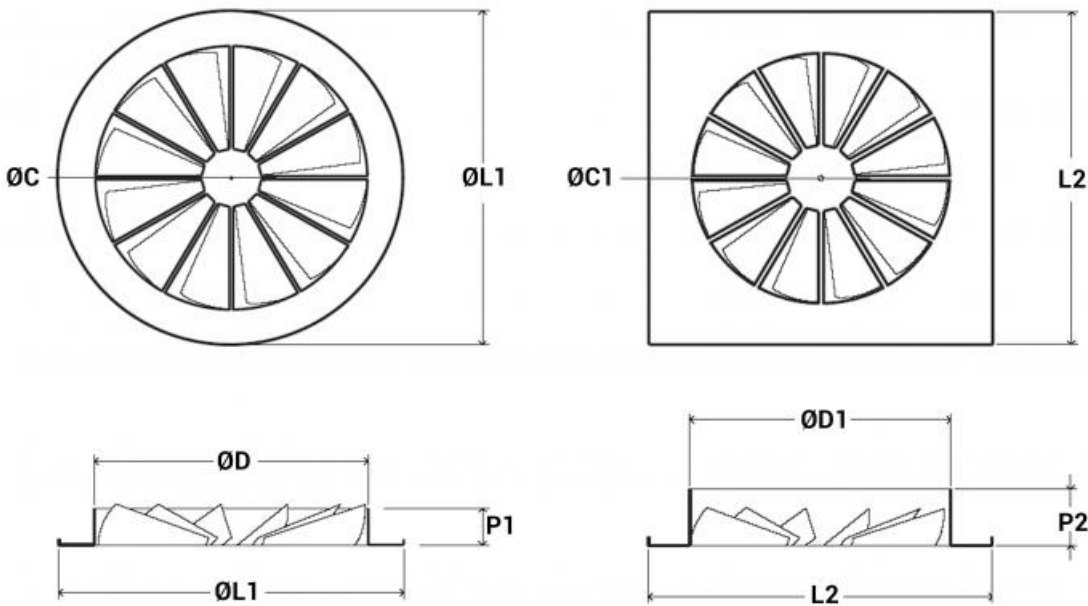
Accessories

- EPZ-DC galvanised plenum;
- EPI-DC insulated plenum;
- EPZ-DCS galvanised plenum with damper;
- EPI-DCS insulated plenum with damper;
- EDRF-EQ fitting with equaliser;

Notes

Outlet cone with sharp edge.

Dimensions



All dimensions are expressed in mm.

All sizes of the EDRFQ diffuser can be supplied with the L2xL2 dimension equal to 595x595 mm suitable for installation in a square false ceiling.

model	EDRF				EDRFQ			
	ØD	ØL1	ØC	P1	ØD1	L2xL2	ØC1	P2
125	122	171	28	55	122	171x171	28	55
160	157	214	50	55	157	214x214	50	55
200	197	264	50	55	197	264x264	50	55
250	247	326	65	55	247	326x326	65	55
315	312	404	87	55	312	404x404	87	55
400	397	500	87	55	397	500x500	87	55

Operating data

Vk: effective speed (m/s)

m³/h: flow rate

Pa: pressure drops in Pascal

L(m): air throw in metres calculated on ceiling installation, terminal velocity 0.25 m/s

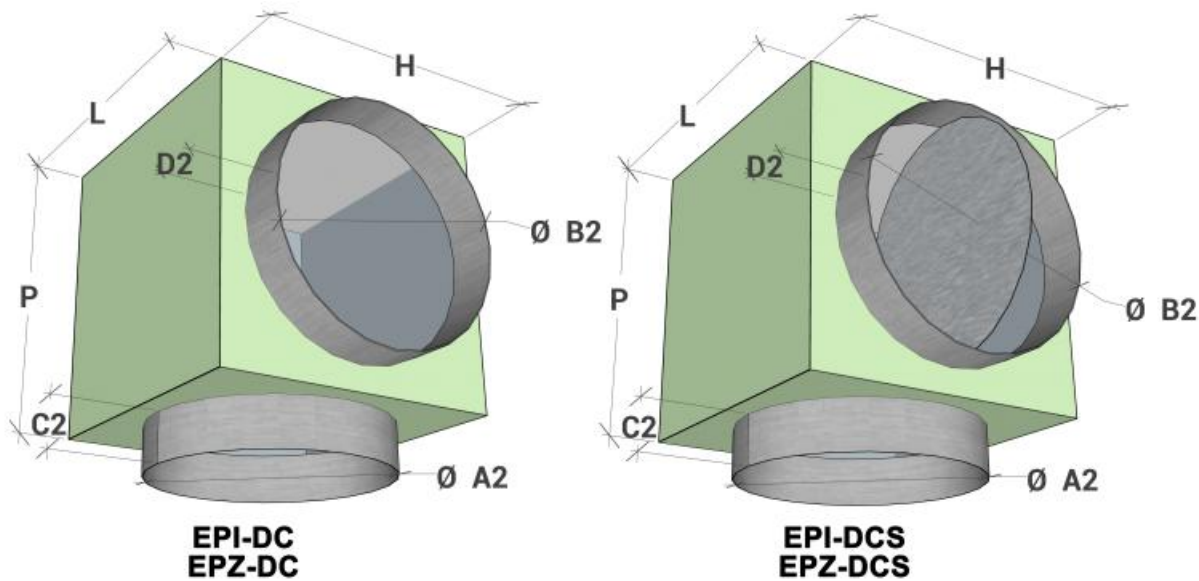
dB(A): noise level (without equaliser)

model	effective cross-section m ²	Vk m/s												recommended air flow m ³ /h	
			1,0	1,2	1,4	1,6	1,8	2,0	2,4	2,8	3,2	3,6	4,0	MIN	MAX
125	0,0091	m ³ /h	32	39	45	52	58	65	78	91	104	117	130	40	90
		Pa (with equalizer)	5	7	9	12	15	19	27	37	48	61	75		
		Pa (without equalizer)	7	10	13	18	22	28	40	55	72	92	114		
		L(m)	1,5	1,6	1,7	1,8	1,9	2	2,3	2,4	2,6	2,7	2,9		
		dB(A)	<20	<20	23	28	31	34	40	45	49	52	75		
160	0,0146	m ³ /h	54	65	76	86	97	108	130	151	173	194	216	50	120
		Pa (with equalizer)	5	7	10	13	16	20	29	40	52	65	81		
		Pa (without equalizer)	7	10	14	19	23	29	42	59	77	97	120		
		L(m)	1,6	1,8	1,9	2	2,1	2,2	2,5	2,7	2,8	3	3,1		
		dB(A)	<20	25	30	34	38	42	48	53	57	64	66		
200	0,0225	m ³ /h	79	95	111	127	143	158	190	222	253	285	317	90	210
		Pa (with equalizer)	5	6	9	11	15	17	25	35	45	57	71		
		Pa (without equalizer)	7	9	13	16	21	25	37	51	66	84	105		
		L(m)	1,6	1,8	1,9	2	2,2	2,3	2,5	2,7	2,8	3	3,2		
		dB(A)	<20	22	26	30	34	37	42	47	51	54	57		
250	0,0345	m ³ /h	122	147	171	196	220	245	294	343	392	441	490	130	310
		Pa (with equalizer)	5	5	6	8	10	13	19	25	33	42	52		
		Pa (without equalizer)	7	8	10	13	16	21	30	40	53	68	85		
		L(m)	1,9	2,1	2,3	2,5	2,6	2,7	3	3,2	3,4	3,6	3,8		
		dB(A)	<20	23	27	31	35	38	43	48	51	55	58		
315	0,0536	m ³ /h	194	233	272	311	350	389	467	544	622	700	778	250	520
		Pa (with equalizer)	5	5	7	9	11	14	21	28	37	47	58		
		Pa (without equalizer)	7	8	11	14	17	22	32	43	57	73	90		
		L(m)	2	2,3	2,4	2,6	2,7	2,9	3,1	3,3	3,6	3,7	3,9		
		dB(A)	<20	<20	22	27	31	35	41	47	51	55	59		
400	0,0847	m ³ /h	306	367	428	490	551	612	734	857	979	1102	1224	420	890
		Pa (with equalizer)	5	5	7	9	11	13	19	26	35	44	54		
		Pa (without equalizer)	7	7	10	13	17	20	29	40	54	69	85		
		L(m)	2,3	2,5	2,7	2,9	3	3,1	3,4	3,7	3,9	4,1	4,3		
		dB(A)	<20	<20	<20	24	28	32	38	44	48	52	56		

EDRF-EQ: equalizer



Plenum



All measurements are expressed in mm.

model	L	H	P	ØA2 Diffuser	ØB2 duct - flexible or rigid	C2	D2
125	200	200	200	127	125	70	100
160	250	250	250	162	155	70	100
200	300	300	300	202	195	70	100
250	350	350	350	252	245	70	100
315	400	400	400	317	310	70	100
400	500	500	500	402	395	70	100

Price list

model	diffusor EDRF	diffusor EDRFQ on square panel	diffusor EDRFQ on square panel 595x595	EDRF-EQ fitting with equaliser	Galvanised plenum	Insulated plenum	Galvanised PLENUM with damper	Insulated PLENUM with damper
					EPZ-DC	EPI-DC	EPZ-DCS	EPI-DCS
	euro	euro	euro	euro	euro	euro	euro	euro
125	✓	✓	✓	✓	✓	✓	✓	✓
160	✓	✓	✓	✓	✓	✓	✓	✓
200	✓	✓	✓	✓	✓	✓	✓	✓
250	✓	✓	✓	✓	✓	✓	✓	✓
315	✓	✓	✓	✓	✓	✓	✓	✓
400	✓	✓	✓	✓	✓	✓	✓	✓