

# EVHRP SMALL High efficiency heat recovery unit for flow rates up to 320 m<sup>3</sup>/h



## Description

Ventilation unit complete with heat recovery unit dedicated to air exchange without energy waste. The unit is particularly suitable for individual family units, flats and in all cases where the nominal air exchange rates do not exceed 320 m<sup>3</sup>/h. Constant flow rate selectable in 3 levels.

## Characteristics

- Sheet metal self-supporting frame.
- Galvanised sheet metal panels, painted on the outside, with high density EPS internal insulation; Alucobond Composite front panel
- High efficiency counter-current cross-flow polypropylene heat exchanger. Low freezing temperatures. Very high heat exchange efficiency.
- Brushless fans with electronic motor and constant flow control; very high efficiency and low noise levels.
- ePM1 70/80% filters with low pressure drop for both supply and exhaust, easily removable.

## Control electronics for version S

The unit is supplied without electronic board and the fan speed is changed by means of a 0-10V input signal.

It is possible to purchase the EVTVDV remote terminal with LCD display separately, to control the speed of the fans and the bypass with various advanced functions, including:

- control of the speed of the individual fans independently, which means that the machine can be used in positive pressure or negative pressure mode;
- timed dirty filter warning;
- possibility of connecting the EVSQU air quality sensor, sold separately.

## Control electronics for version IN2

Electronic board for 3-step speed management, antifreeze function and automatic bypass. Wall-mounted remote touch panel on 503 box. On-board temperature sensors and possibility of managing auxiliary hot water coil. Humidity / air quality regulators built into the remote display.

EVCNV2-N: advanced remote control with built-in humidity and VOC/CO<sub>2</sub> sensors, black.

EVCNV2-B: advanced remote control with built-in humidity and VOC/CO<sub>2</sub> sensors, white.

EVCNW2-N: advanced remote control with built-in humidity and VOC/CO<sub>2</sub> sensors and built-in Wi-Fi, black.

EVCNW2-B: advanced remote control with built-in humidity and VOC/CO<sub>2</sub> sensors and built-in Wi-Fi, white.

## Electronic configuration IN2

A or B configurations selectable by electronics.

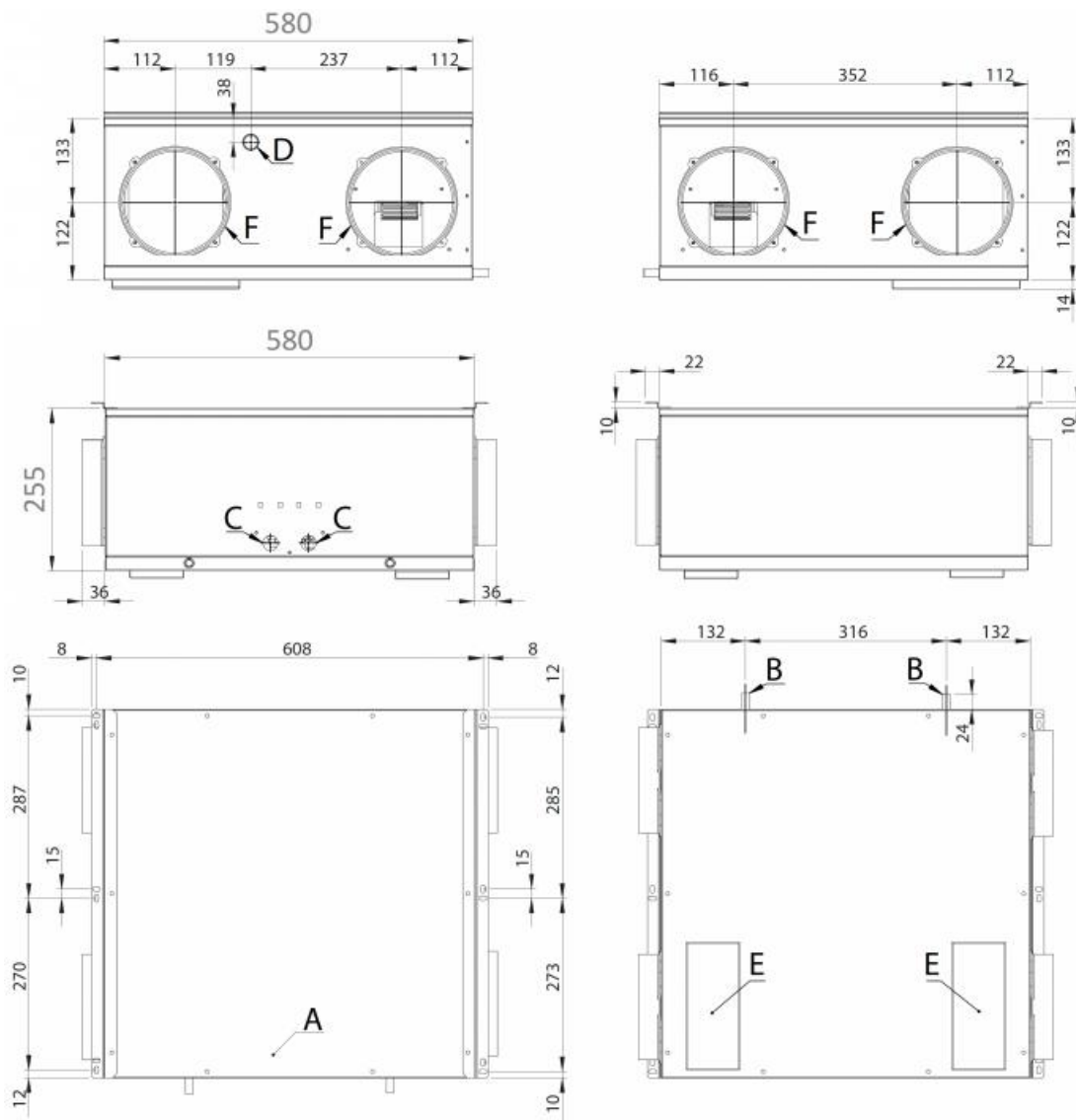
## Use

Houses and surgeries for air exchange with up to 90% reduction in energy waste.

## Technical specifications

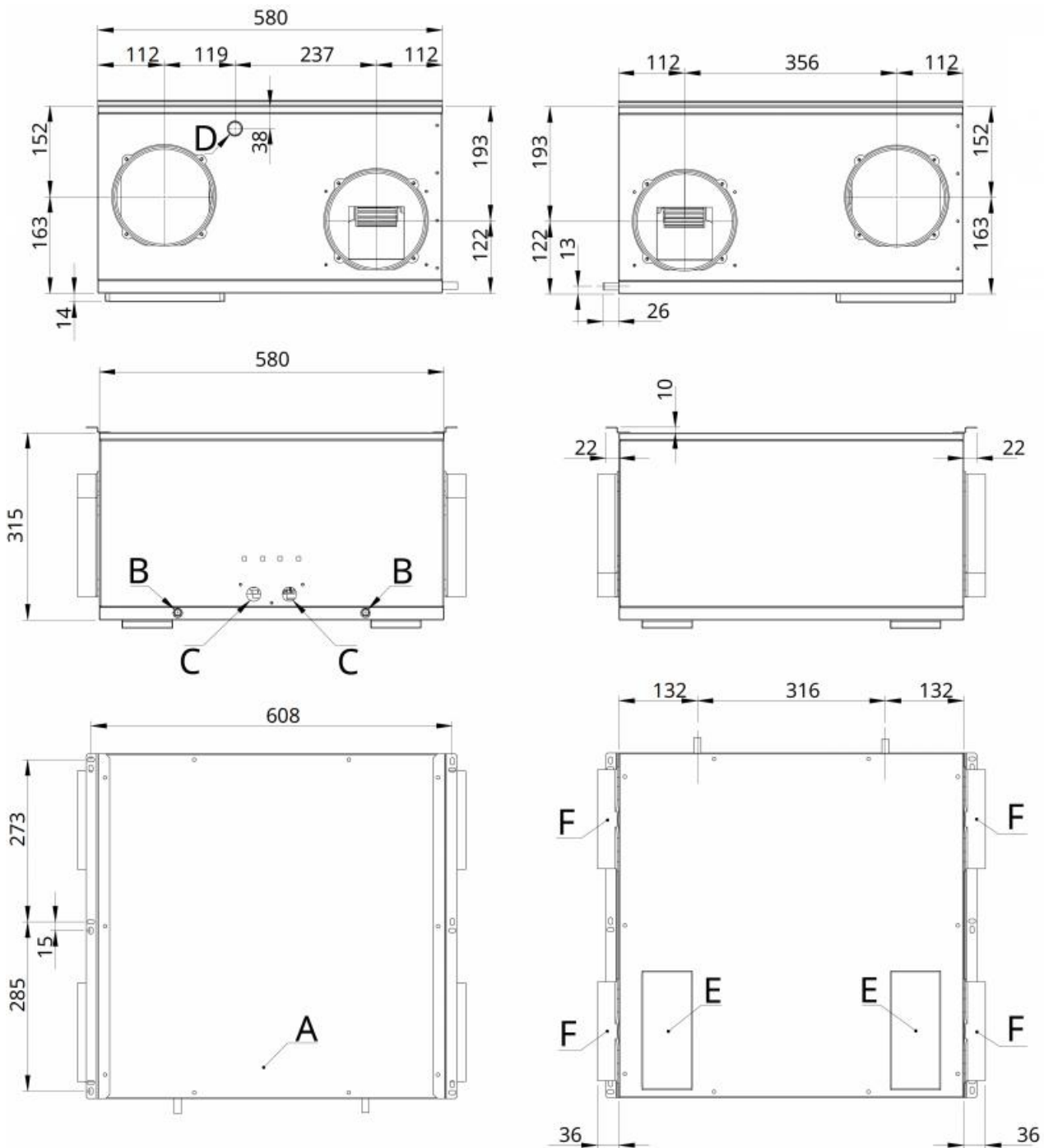
EVHRP SMALL size		10 H/V	15 H/V	25 H/V
Type of Fans		Forward-curved centrifugal - Brushless direct-coupled electronic motor		
Number of Fans	Nr.	2		
Air flow rate	m <sup>3</sup> /h	130	210	320
Useful pressure	Pa	100	100	100
Heat exchanger (Data referring to the UNI EN 13141-7 Standard Indoor temp. 20° - Indoor humidity 28% - Outside temp. 7° - Outside humidity 72%)				
Type of heat exchanger		Counter-current plates - polypropylene		
Number of Heat exchangers	Nr.	1		
Heat recovery efficiency	%	87,0	85	85
Filters				
Type of filters		Flat filters		
Filtration class		ePM1 80%		
Acoustic data (Data referring to the UNI EN 3741 and UNI EN 3744 Standards)				
Sound power Lw transmitted by the structure	dB(A)	48	51	52
Sound power Lw radiated from the duct	dB(A)	55	57	60
Average sound pressure Lp at 1 m	dB(A)	41	43	45
Average sound pressure Lp at 3 m	dB(A)	34	36	38
Electrical Data				
Power supply	V / ph / Hz	230 / 1 / 50		
Current consumption	A	1,2	1,2	2,2
Power consumption	W	80	140	180
Protection rating	IP	X2	X2	X2
Dimensional data				
Width	mm	580	580	580
Depth	mm	580	580	580
Height	mm	255	255	315
Connection diameter	mm	160	160	160
Condensate drain	mm	12	12	12
Weight	kg	19	19	23
classification of the various models according to the European regulation 1253/2014 and 1254/2014				
With remote control EVCNV2 - EVCNW2 (UR/VOC-Co2)	-	A	A	A

## EVHRP SMALL 10-15 dimensions



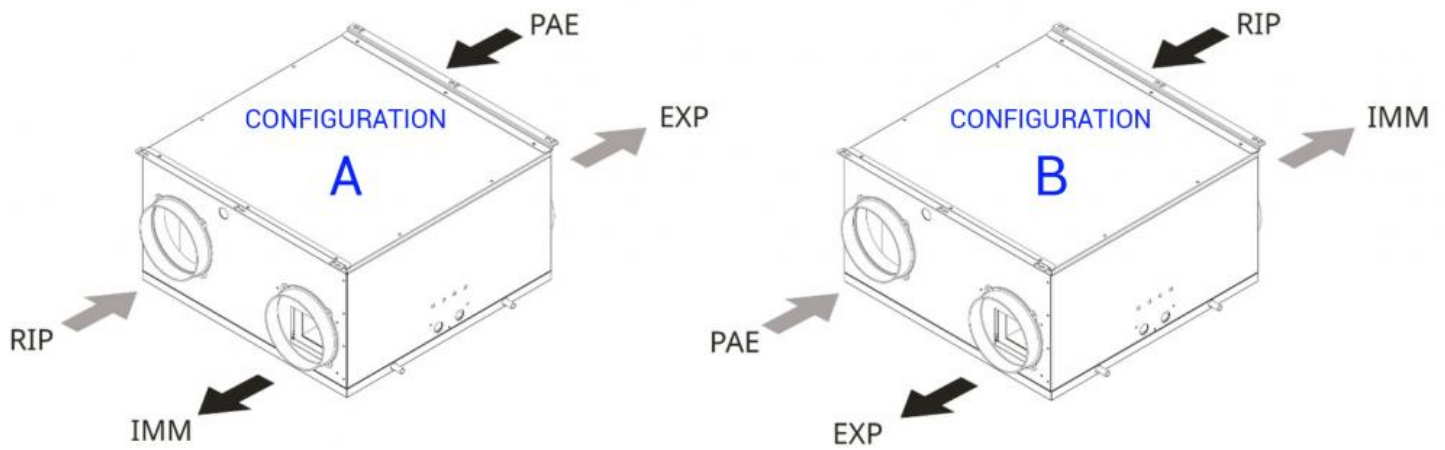
Reference	Description
A	electrical cabinet
B	Condensate drain horizontal installation
C	Passage of power supply and display cables
D	Condensate drain vertical installation
E	Filter doors
F	Circular connections Ø 160mm

EVHRP SMALL 25 dimensions

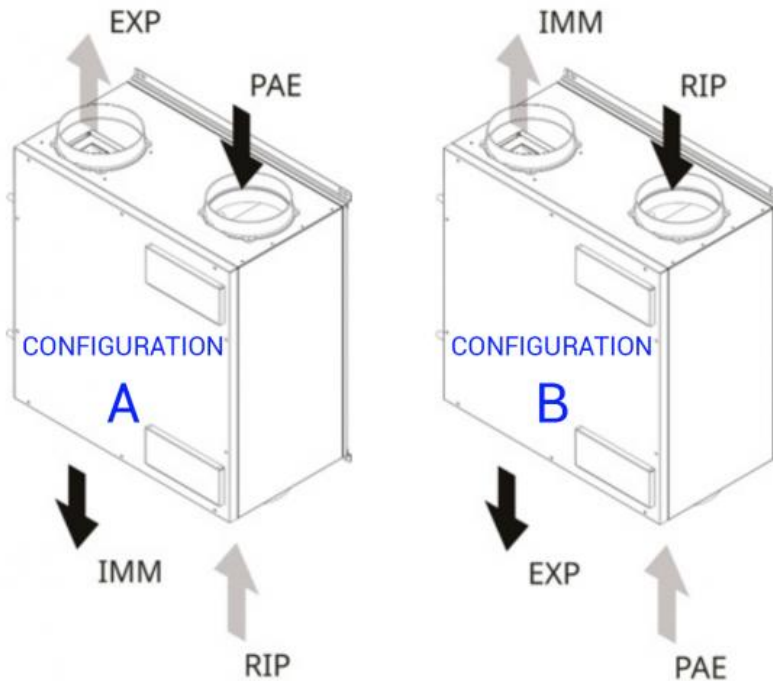


Reference	Description
A	electrical cabinet
B	Condensate drain horizontal installation
C	Passage of power supply and display cables
D	Condensate drain vertical installation
E	Filter doors
F	Circular connections Ø 160mm

# HORIZONTAL INSTALLATION

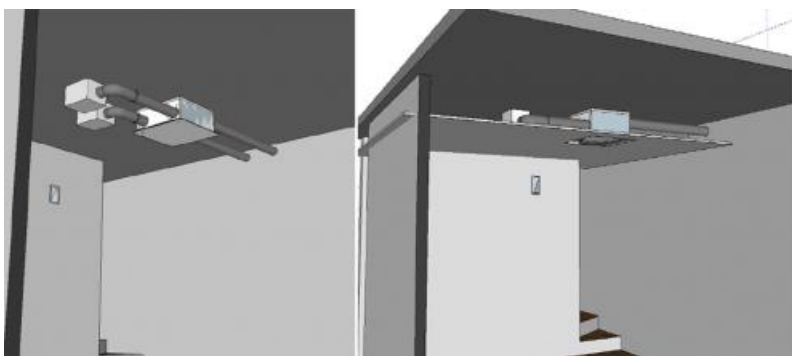


# VERTICAL INSTALLATION



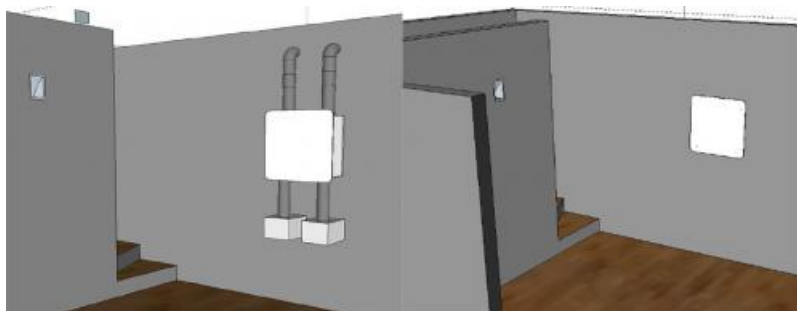
Reference	Description
PAE	External air intake
EXP	Expulsion
IMM	Ambient air intake
RIP	Room air intake

## HORIZONTAL installation



## VERTICAL installation

In the case of vertical installation, it is possible to purchase the AESTHETIC COVER in composite panel in aluminum painted RAL9003.





## RECESSED VERTICAL installation (only EVHRP SMALL 10-15):

The EVHRP SMALL units can also be installed recessed with the aid of a special formwork with 30 mm EPS insulation on all walls and 20 mm Foam insulation on the front closing panel, studied and designed in detail.

Two distribution boxes are housed in the formwork which allow the connection of up to 6 corrugated delivery pipes and 6 corrugated return pipes. The connection is made by means of sleeves with shutter suitable for the connection of the HTPPE PLUS corrugated pipe with an internal diameter of 63 mm and an external 75 mm (on request a 76 mm internal and 90 mm external diameter). The sleeves for connecting the pipe are already included in the delivery of the formwork. It is also possible to purchase the EXTERNAL INTAKE KIT necessary to create the external air intake and exhaust air expulsion directly above the formwork without the aid of further ducts.

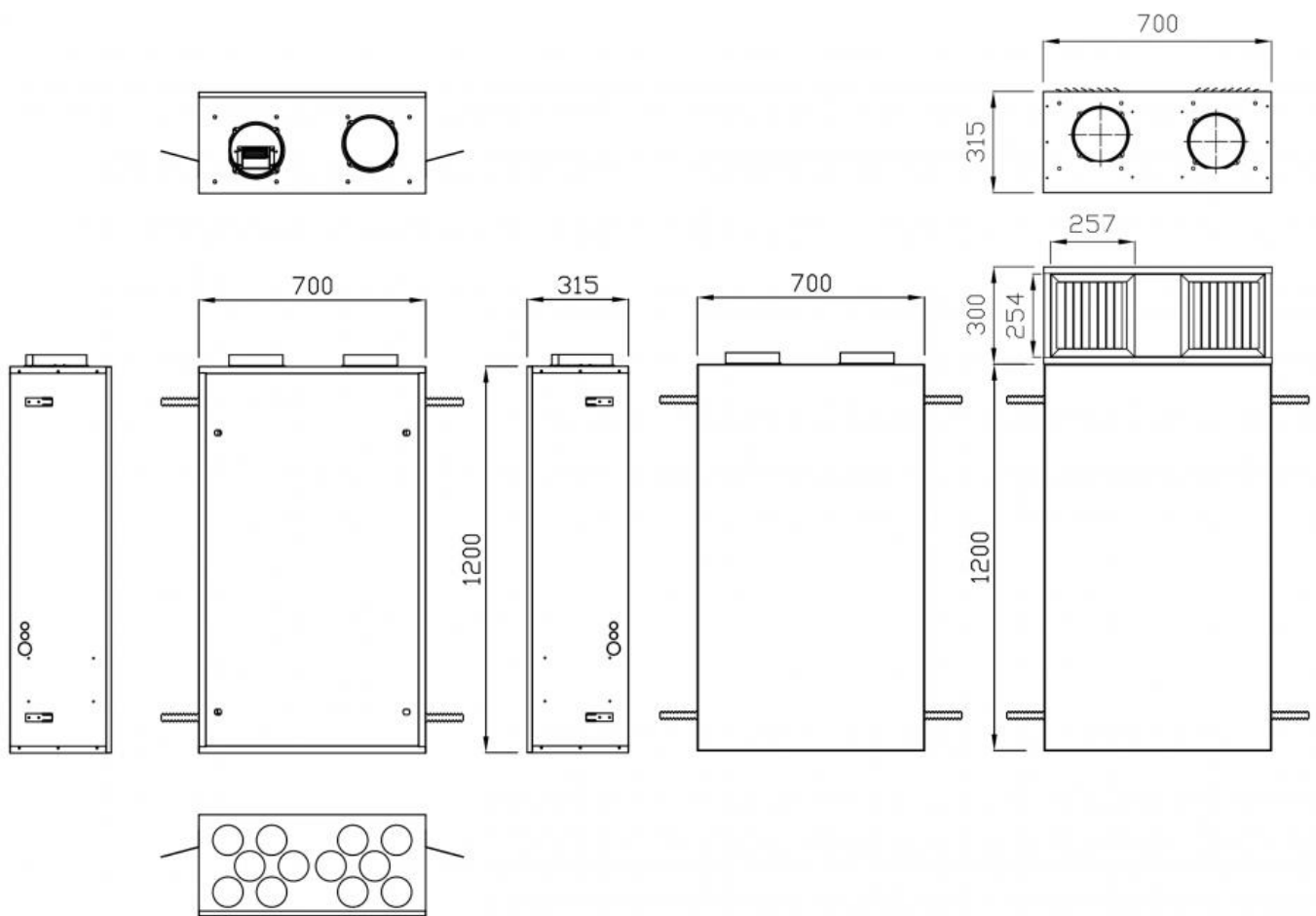




FORMWORK VERSION UI EVHRP SMALL CONFIGURATION A EXTERNAL AIR KIT	FORMWORK VERSION US EVHRP SMALL CONFIGURATION B EXTERNAL AIR KIT
<p data-bbox="134 1003 261 1025">EXPULSION</p> <p data-bbox="344 1003 504 1055">EXTERNAL AIR INTAKE</p>  <p data-bbox="134 1554 261 1576">SUPPLY AIR</p> <p data-bbox="360 1554 485 1576">AIR INTAKE</p>	<p data-bbox="624 1003 751 1025">SUPPLY AIR</p> <p data-bbox="850 1003 978 1025">AIR INTAKE</p>  <p data-bbox="624 1554 751 1576">EXPULSION</p> <p data-bbox="834 1554 994 1606">EXTERNAL AIR INTAKE</p>

**Formwork dimensions**

All dimensions are expressed in mm.



#### S VERSION price list:

Item normally available from stock					
model	EVHRP SMALL (configuration A)	remote electronic control EVTDV	Electric box for recessed installation for EVTDV	air quality sensor EVSQV	pair of filters kit
10	euro	euro	euro	euro	euro
15	▼	▼	▼	▼	▼
25	▼				▼



#### IN2 VERSION price list:

Item normally available from stock					
------------------------------------	--	--	--	--	--

model	EVHRP SMALL (configuration A)	remote electronic control EVCNV2-N. Black color	remote electronic control EVCNV2 -B. White color	EVCNW2-N remote electronic control with Wi-Fi connection. Black color	EVCNW2-B remote electronic control with Wi-Fi connection. White color	pair of filters kit
	euro	euro	euro	euro	euro	euro
10	▼					▼
15	▼	▼	▼	▼	▼	▼
25	▼					▼



#### Price list FORMWORK AND ACCESSORIES (only EVHRP SMALL 10-15)

Item normally available from stock	
Model	Euro
Recessed formwork for EVHRP SMALL with lower air delivery and return connections UI VERSION	▼
Recessed formwork for EVHRP SMALL with upper supply and return air connections US VERSION	▼
Kit for external air intakes	▼
Cap for sleeve in packs of 5 pieces	▼

#### AESTHETIC COVER price list

Model	Euro
Composite panel in aluminum painted RAL9003	▼