

ESCO Circular silencers with ogive



Description

Circular silencer for noise control in heating, air conditioning and ventilation systems, with central ogive.

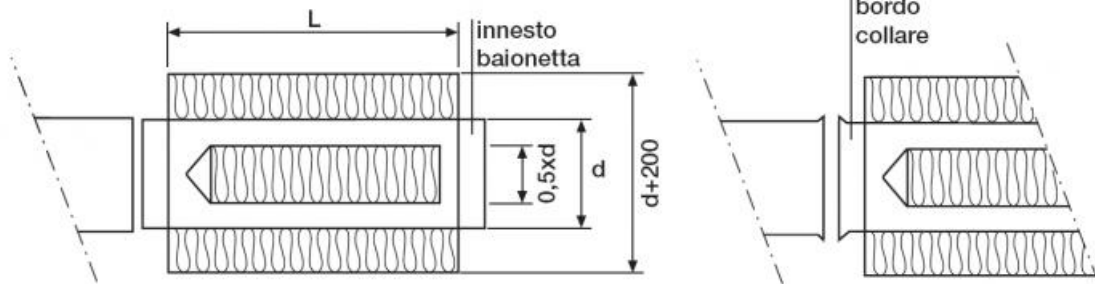
Characteristics

Material: galvanised steel ogive structure protected with mineral wool inside, anti-flaking surface and micro-extended mesh.

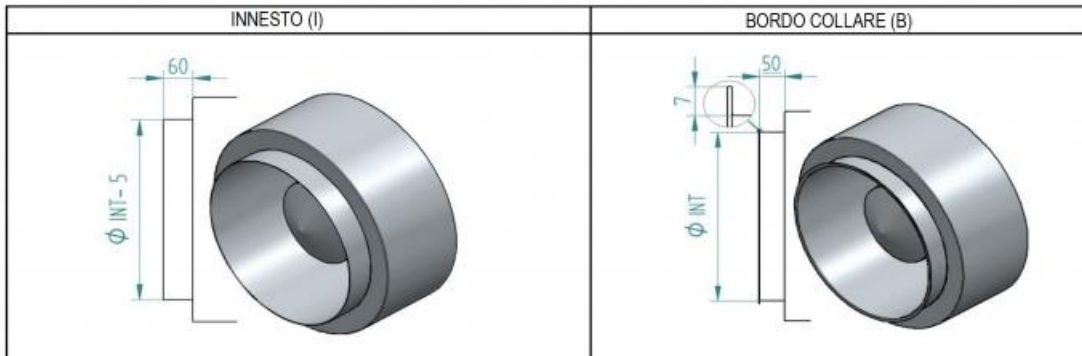
On request

Without ogive; diameters 200, 225, 250, 280, 315, 355, 450, 560, 710, 900; flanged edge.

d = ø silenzatori



Connection type:



Insertion attenuation with ogive

The insertion attenuation is the ability of the silencer to reduce the internal noise of the ventilation duct, usually caused by the fan. It is measured as the difference between the upstream sound power level and the downstream sound power level of the silencer, both expressed in thirds of an octave and without air passage.

INT diameter (mm)	Length (mm)	Frequency (Hz)							
		63	125	250	500	1000	2000	4000	8000
400	500	1	2	6	11	13	12	12	11
	1000	3	5	10	19	31	28	21	15
	1500	4	7	13	26	49	44	30	20
500	500	1	2	5	10	12	11	9	8
	1000	2	4	9	17	28	25	17	12
	1500	4	6	12	24	45	38	25	16
630	500	1	2	4	9	11	9	7	7
	1000	2	4	8	16	26	24	14	10
	1500	3	5	11	22	41	34	20	13
800	500	1	1	4	9	10	8	6	5
	1000	2	3	7	15	24	19	11	8
	1500	3	5	10	20	38	29	16	10
1000	500	1	1	4	8	9	7	5	4
	1000	2	3	6	13	22	16	9	6
	1500	2	4	9	19	35	26	13	8

Insertion attenuation without ogive

INT diameter (mm)	Length (mm)	Frequency (Hz)							
		63	125	250	500	1000	2000	4000	8000
400	500	1	2	4	9	13	6	2	2
	1000	1	3	8	17	18	9	3	2
	1500	2	5	12	25	24	12	5	3
500	500	1	1	3	8	11	4	1	2
	1000	1	3	7	16	16	7	2	2
	1500	1	4	10	23	21	9	3	2
630	500	0	1	3	8	10	3	1	1
	1000	1	2	6	15	14	5	1	2
	1500	1	3	9	22	19	7	2	2
800	500	0	1	2	7	9	3	0	1
	1000	1	2	5	14	13	4	1	1
	1500	1	3	8	20	17	6	1	2
1000	500	0	1	2	7	8	2	0	1
	1000	0	1	5	13	11	3	0	1
	1500	1	2	7	19	15	5	1	1

Price list

diameter d (mm)	length	Silencer WITH OGIVE		Silencer WITHOUT OGIVE	
		bayonet coupling	collar edge	bayonet coupling	collar edge
		euro	euro	euro	euro
400	mm				
	500	∨	∨	∨	∨
	1000	∨	∨	∨	∨
500	500	∨	∨	∨	∨
	1000	∨	∨	∨	∨
	1500	∨	∨	∨	∨
630	500	∨	∨	∨	∨
	1000	∨	∨	∨	∨
	1500	∨	∨	∨	∨
800	500	∨	∨	∨	∨
	1000	∨	∨	∨	∨
	1500	∨	∨	∨	∨
1000	500	∨	∨	∨	∨
	1000	∨	∨	∨	∨
	1500	∨	∨	∨	∨