

ERPC Constant air flow regulators for circular duct



Description

Flow rate regulators for circular ducts on systems with constant flow rate. Automatic mechanical operation, without auxiliary energy to keep the air flow rate constant within a differential pressure range.

Use

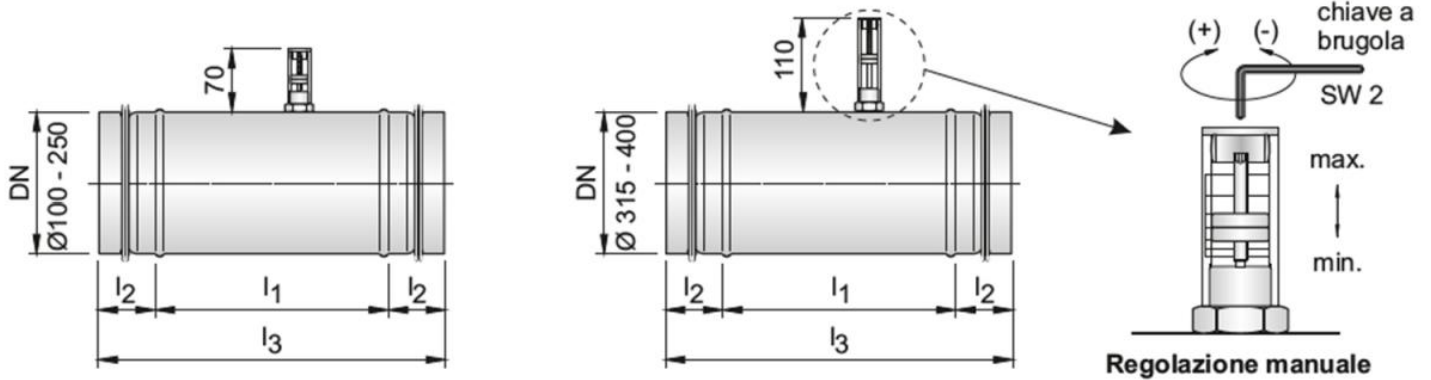
In all ventilation systems to keep the air flow rate constant, regardless of the pressure system used and of the pressure variations within the permissible range.

Characteristics

Material: galvanised steel.
Finish: galvanised.
Operating temperature: -20° +100°C.
Installation: on circular duct.

Notes

Air flow rate within a differential pressure range between 40 and 600 Pa (1000 for some models). The accuracy of the air flow is $\pm 5-10\%$, depending on the speed and conditions of use. The regulators can be calibrated on site directly in the finished system by means of the regulating device. Maintenance free.



Operating data and list prices

all dimensions are expressed in mm

Item normally available from stock

diameter DN	Air flow rate (m ³ /h)		Dimensions (mm)			euro
	min	max	l ₁	l ₂	l ₃	
100	70	220	165	40	245	∨
125	100	280	165	40	245	∨
140	150	400	165	40	245	∨
160	180	500	235	40	315	∨
200	250	900	235	40	315	∨
250	500	1600	235	40	315	∨
315	800	2800	235	60	345	∨
400	1000	4000	295	60	415	∨