

## EVPMC Air intake and exhaust ABS air valves



### Description

ABS supply and exhaust air valves painted white RAL 9010, with adjustable central cone.

### Characteristics

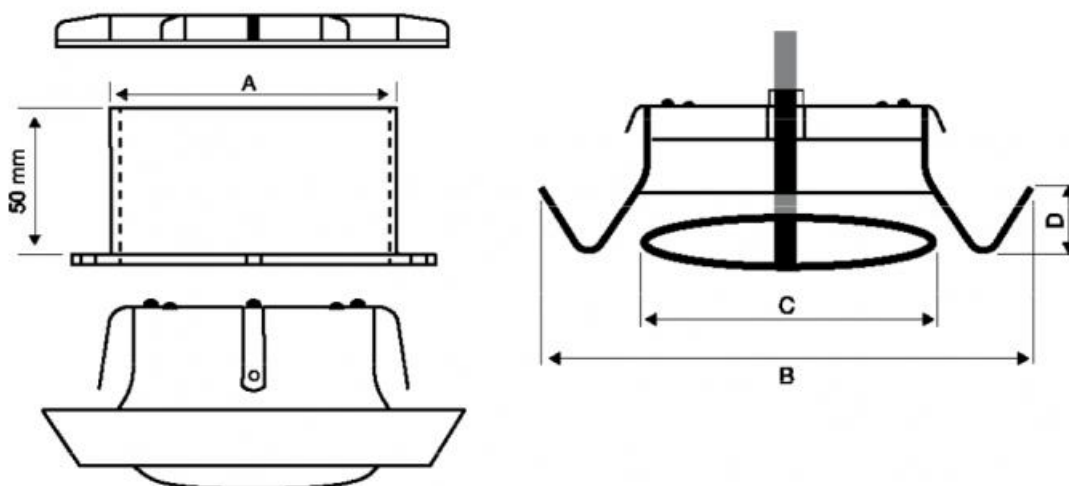
Material: ABS.  
Finish: white RAL 9010.  
Installation: by means of non-visible screws.

### Use

Ceiling installation, directly on the duct, for air supply or exhaust in service rooms, bathrooms and shops.

### Dimensions:

Model	A (mm)	B (mm)	C (mm)	D (mm)
EVPMC 100	99	149	89	20
EVPMC 125	124	165	109	20
EVPMC 150	148	185	130	20
EVPMC 160	158	195	130	20
EVPMC 200	199	230	177	20



### Operating data

Vk: effective speed (m/s)

m<sup>3</sup>/h: flow rate

Pa: pressure drops in Pascal

L(m): air throw in metres calculated on ceiling installation, terminal velocity 0.25 m/s

dB(A): noise level

Model	m <sup>3</sup> /h	Opening "S" (mm)	Pressure drop (Pa)	dB(A)
EVPMC 100	54	15	25	25
	72	18	40	30
	108	20	80	38
EVPMC 125	72	9	58	38
	108	17	68	35
	144	23	70	35
EVPMC 150 / 160	108	10	70	40
	144	18	68	35
	180	25	70	33
EVPMC 200	108	17	60	38
	144	22	68	35
	180	25	72	35

### Price list:

Item normally available from stock

model	euro
100	▼
125	▼
150	▼
160	▼
200	▼