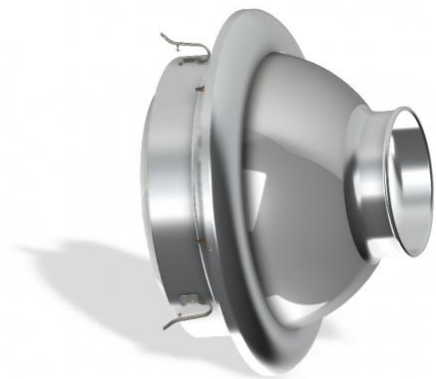


EDU/LFS Long range nozzle diffusers with damper and connection for circular or flexible duct

EDU/LFS Long range nozzle diffusers with screw cover, damper and connection for flexible duct or rigid circular duct.



Description

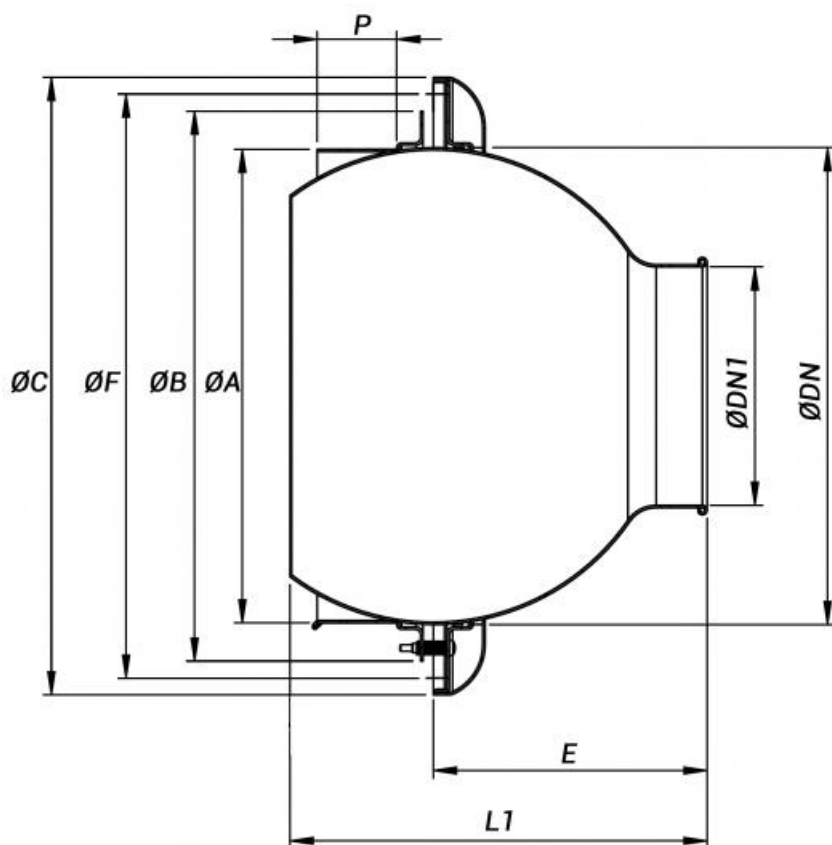
Long range aluminium diffusers, adjustable with a max. angle of 30°.

Characteristics

Material: aluminium.
Finish: anodised aluminium.
Installation: con wall flange.
Installation height between 3 m and 30 m depending on the model.

Use

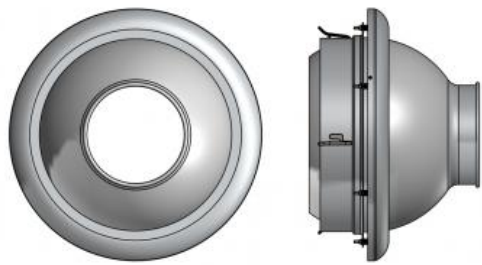
Rooms with very high ceilings or where a long and/or targeted air throw is needed.



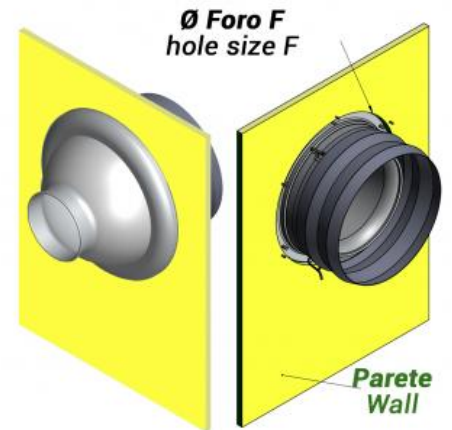
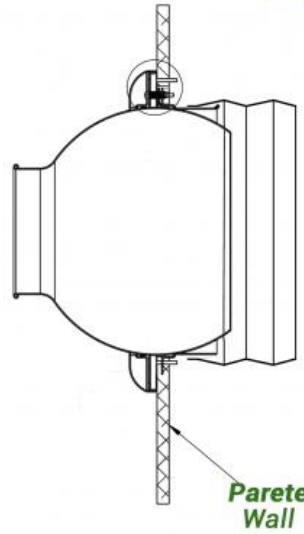
Dimensions

All dimensions are expressed in mm.

model	effective cross-section m ²	Ø DN	Ø DN1	Ø A	Ø B	Ø C	Ø F	L1	E	P
80	0,0050	160	80	158	206	249	226	170	100	50
150	0,0177	300	150	298	346	389	366	262	172	50
200	0,0314	400	200	398	446	489	466	335	225	50
230	0,0415	400	230	398	446	489	466	325	215	50
250	0,0490	400	250	398	446	489	466	320	207	50
300	0,0710	400	300	398	446	489	466	298	184	50



Clips per connessione al tubo flessibile
Clips for locking the flexible duct



Operating data

Vk: effective speed (m/s)

m³/h: flow rate

Pa: pressure drops in Pascal

L(m): air throw in metres calculated on ceiling installation, terminal velocity 0.25 m/s

dB(A): noise level

model	Vk (m/s)	2	4	6	8	10
80	m ³ /h	36	72	108	135	168
	L(m)	4,0	8,0	12,0	15,0	19,0
	Pa	2,0	10	22	36	57
	dB(A)	<20	<20	<20	22	29
150	m ³ /h	127	254	382	509	637
	L(m)	6,0	12,0	19,0	25,0	32,0
	Pa	2	8	19	34	55
	dB(A)	<20	<20	21	29	37
200	m ³ /h	226	452	678	904	1130
	L(m)	8,0	17,0	25,0	34,0	42,0
	Pa	2	8	19	34	55
	dB(A)	<20	<20	20	28	35
230	m ³ /h	298	597	896	1195	1494
	L(m)	9,0	20,0	29,0	39,0	45,0
	Pa	2	8	19	34	55
	dB(A)	<20	<20	21	28	35
250	m ³ /h	353	707	1060	1413	1766
	L(m)	10,0	21,0	31,0	42,0	48,0
	Pa	2	8	19	34	55
	dB(A)	<20	<20	24	31	36
300	m ³ /h	509	1017	1526	2035	2543
	L(m)	13,0	25,0	36,0	44,0	51,0
	Pa	2	8	19	34	55
	dB(A)	<20	<20	23	30	35

Price list

model	EDU/LFS nozzle
	euro
80	✓
150	✓
200	✓
230	✓
250	✓
300	✓