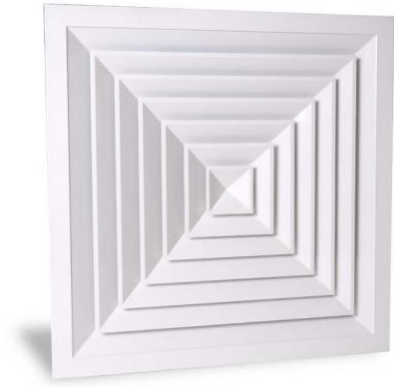


EDQV EDQV-PQ Four ways diffusers



Description

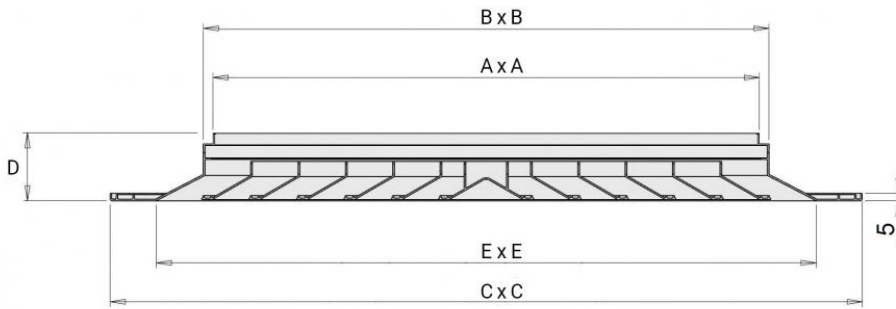
4-way square diffusers with removable cones.

Characteristics

Material: aluminium.
Finish: painted white RAL 9016.
Installation: fastening by means of non-visible screws.

Accessories

- SC galvanised steel regulation damper for EDQV;
- SCN galvanised steel regulation damper for EDQV-PQ;
- EPZ-EDQ galvanised steel plenum;
- EPI-EDQ galvanised steel insulated plenum.



Dimensions

all dimensions are expressed in mm

model	EDQV					EDQV-PQ				
	AxA	BxB	CxC	DxD	ExE	AxA	BxB	CxC	DxD	ExE
150x150	140	150	300	50	240	135	145	595	50	235
225x225	215	225	375	50	315	210	220	595	50	310
300x300	290	300	450	50	390	285	295	595	50	385
375x375	365	375	525	50	465	360	370	595	50	460
450x450	435	445	595	50	535	-	-	-	-	-
525x525	515	525	675	50	615	-	-	-	-	-
600x600	590	600	750	50	690	-	-	-	-	-

Operating data

Vk: effective speed (m/s)

m³/h: flow rate

Pa: pressure drops in Pascal

L(m): air throw in metres calculated on ceiling installation, terminal velocity 0.25 m/s

dB(A): noise level

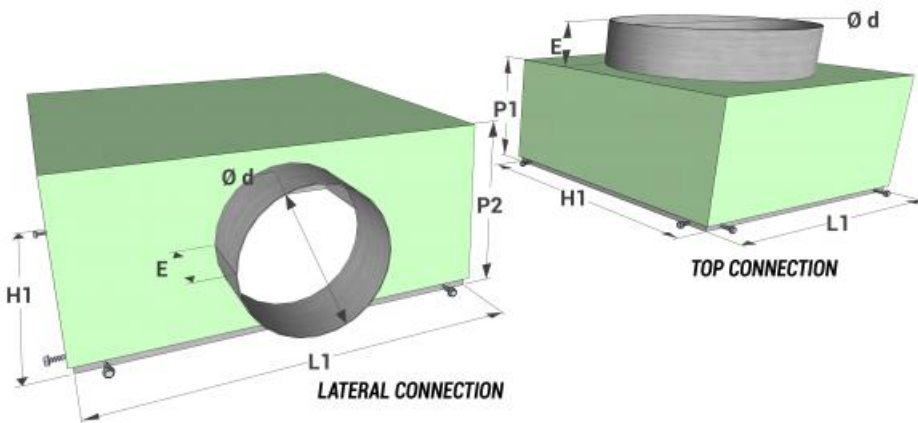
model	effective cross-section m ²	Vk (m/s)	3	4	5	6
EDQV 150x150	0,0110	m ³ /h	119	158	198	238
		L(m)	0,8	1,1	1,4	1,6
EDQV-PQ 150x150	0,0110	Pa	5	10	16	22
		dB(A)	25	33	38	42
EDQV 225x225	0,0240	m ³ /h	259	346	432	518
		L(m)	1,1	1,7	2,1	2,5
EDQV-PQ 225x225	0,0240	Pa	5	13	23	30
		dB(A)	30	39	45	49
EDQV 300x300	0,0380	m ³ /h	410	547	684	821
		L(m)	1,7	2,2	2,5	3,3
EDQV-PQ 300x300	0,0380	Pa	7	10	13	23
		dB(A)	35	39	43	48
EDQV 375x375	0,0620	m ³ /h	670	893	1116	1339
		L(m)	2,0	2,5	3,3	3,9
EDQV-PQ 375x375	0,0620	Pa	7	12	19	25
		dB(A)	35	41	47	49
EDQV 450x450	0,0850	m ³ /h	918	1224	1530	1836
		L(m)	2,8	3,8	4,9	5,2
EDQV-PQ 450x450	0,0850	Pa	7	12	17	25
		dB(A)	36	41	47	49
EDQV 525x525	0,099	m ³ /h	1069	1426	1762	2138
		L(m)	3,3	4,4	4,7	6,1
EDQV-PQ 525x525	0,099	Pa	8	14	20	29
		dB(A)	37	41	48	50
EDQV 600x600	0,113	m ³ /h	1220	1627	2034	2441
		L(m)	3,7	5,1	6,5	6,9
EDQV-PQ 600x600	0,113	Pa	9	16	23	33
		dB(A)	37	42	48	51

SC / SCN Regulation damper

Galvanised steel regulation damper with blades with opposing movement.



Plenum



EDQV EDQV-PQ	L1 x H1	Ø d	P1	P2	E
150x150	155x155	125	200	245	50
225x225	230x230	150	200	270	50
300x300	305x305	200	200	320	50
375x375	380x380	200	200	320	50
450x450	450x450	250	200	370	50
525x525	530x530	250	200	370	50
600x600	605x605	300	200	400	50

Price list

Item normally available from stock		
model	Diffusor EDQV	Diffusor EDQV-PQ
	euro	euro
150x150	▼	▼
225x225	▼	▼
300x300	▼	▼
375x375	▼	▼
450x450	▼	-
525x525	▼	-
600x600	▼	-

Accessories

Item normally available from stock						
dimensions LxH	damper SC EDQV	damper SCN EDQV PQ	lateral connection		top connection	
			galvanized plenum	isolated plenum	galvanized plenum	isolated plenum
			EPZ-EDQ	EPI-EDQ	EPZ-EDQ	EPI-EDQ
	euro	euro	euro	euro	euro	euro
150x150	▼	▼	▼	▼	▼	▼
225x225	▼	▼	▼	▼	▼	▼
300x300	▼	▼	▼	▼	▼	▼
375x375	▼	▼	▼	▼	▼	▼
450x450	▼	-	▼	▼	▼	▼
525x525	▼	-	▼	▼	▼	▼
600x600	▼	-	▼	▼	▼	▼