

EDSC-C EDSC-Q Retractable diffuser for plasterboard false ceiling



Description

Circular or square plaster diffusers for installation on plasterboard ceilings.

Features

Material: diffusers made of plaster, central body connected by magnets and plastic joint sleeve with gasket for better air-tightness.

Finishing: After installation of the diffuser, all its parts can be painted the same colour as the ceiling, for better aesthetics.

Installation: Installation can be done either on single or double slab ceilings, as these diffusers have height-adjustable side brackets that rest on the inside of the plasterboard. They can be connected to either a flexible tube, a sheet metal tube or a plenum to facilitate installation.

Use

EDSC diffusers can be used for both supply and extract air. To facilitate the calibration of the system there is a flow restrictor inside.

Model

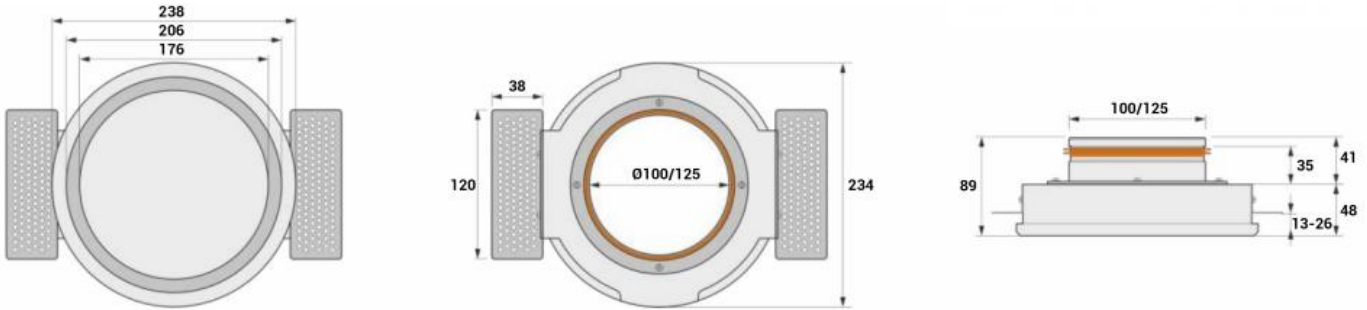
EDSC-C Concealed circular diffusers for plasterboard;
EDSC-Q Concealed square diffusers for plasterboard.

Accessories

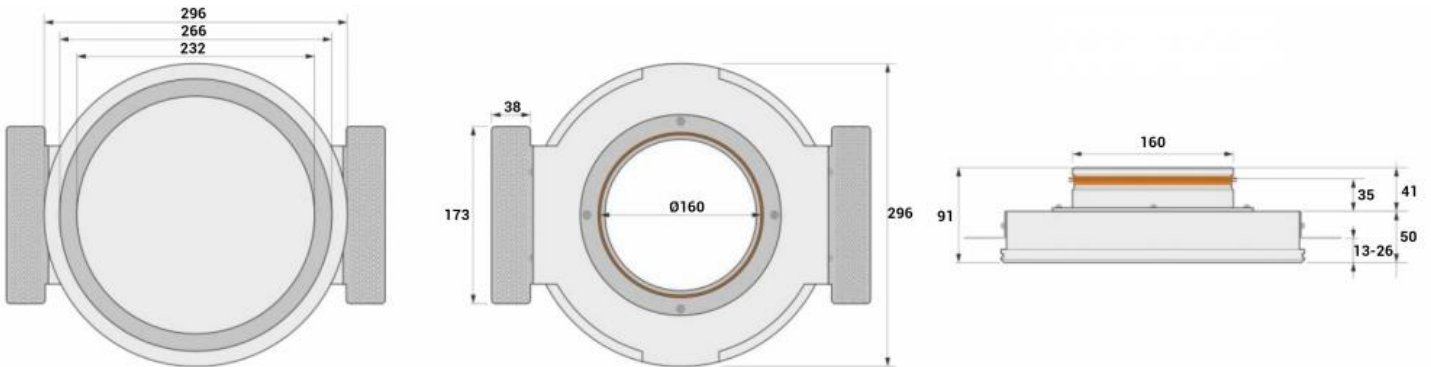
- EPZ-DC galvanised plenum;
- EPI-DC insulated plenum.

EDSC-C 100 - EDSC-C 125 dimensions

All dimensions are expressed in mm.



EDSC-C 160 dimensions

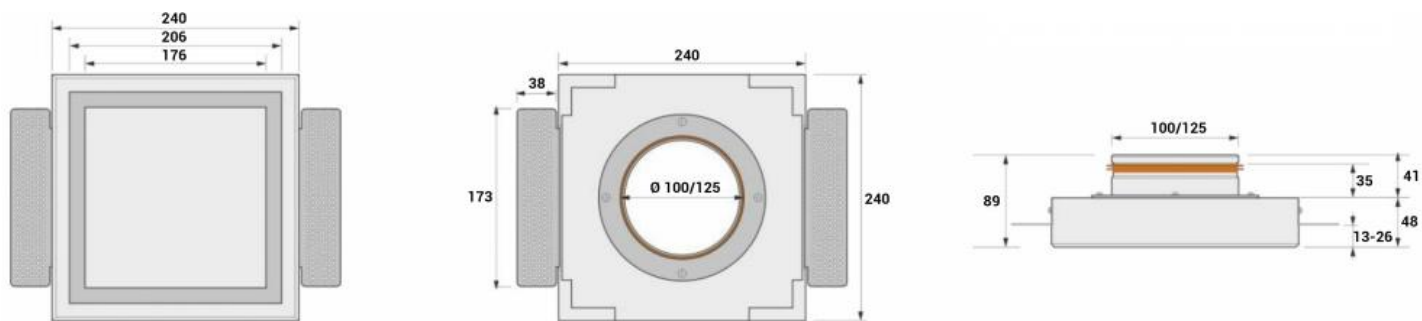


Operating data

Modello	Portata aria di MANDATA m ³ /h														Perdita di carico
	30	40	50	60	70	80	90	100	110	120	130	140	150	160	
EDSC-C 100-125	3	5	8	12	15	21	26	34	41	48	-	-	-	-	
EDSC-C 160	-	2	3	4	6	7	10	12	16	18	22	27	31	36	

Modello	Portata aria di RIPRESA m ³ /h														Perdita di carico
	30	40	50	60	70	80	90	100	110	120	130	140	150	160	
EDSC-C 100-125	2	4	5	7	12	16	22	26	32	37	-	-	-	-	
EDSC-C 160	-	-	2	3	4	6	7	10	12	16	18	22	24	27	

EDSC-Q 100 - EDSC-Q 125 dimensions

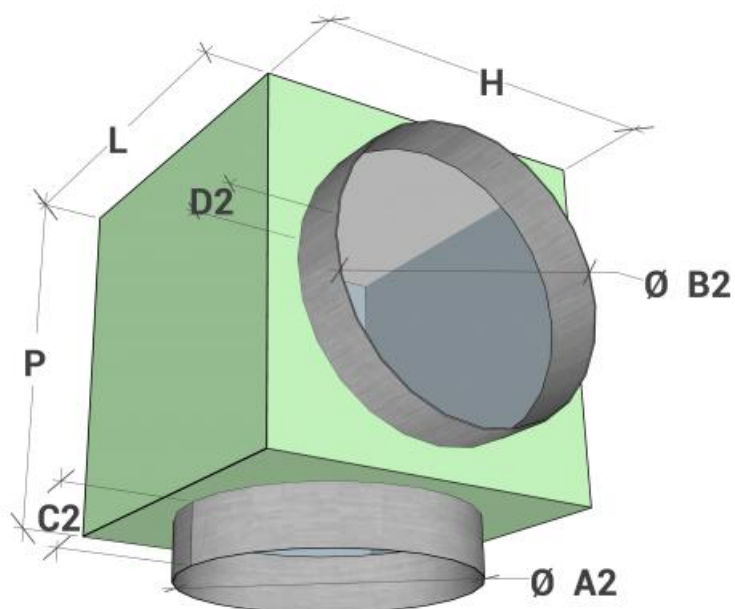


Operating data

Modello	Portata aria di MANDATA m ³ /h															Perdita di carico
	30	40	50	60	70	80	90	100	110	120	130	140	150	160		
EDSC-Q 100-125	2	3	6	8	12	17	22	28	34	42	-	-	-	-	-	

Modello	Portata aria di RIPRESA m ³ /h															Perdita di carico
	30	40	50	60	70	80	90	100	110	120	130	140	150	160		
EDSC-Q 100-125	2	3	4	7	11	13	17	22	27	33	-	-	-	-	-	

Plenum EPZ-DC EPI-DC



All measures are expressed in mm.

modello	L	H	P	ØA2 Diffusore	ØB2 Tubo flessibile o rigido	C2	D2
100	200	200	200	102	100	70	100
125	200	200	200	127	125	70	100
160	250	250	250	162	155	70	100

Price list

Item normally available from stock				
modello	diffusore EDSC-C	diffusore EDSC-Q	Plenum zincato	Plenum isolato
	euro	euro	EPZ-DC	EPI-DC
100	▼	▼	▼	▼
125	▼	▼	▼	▼
160	▼	-	▼	▼