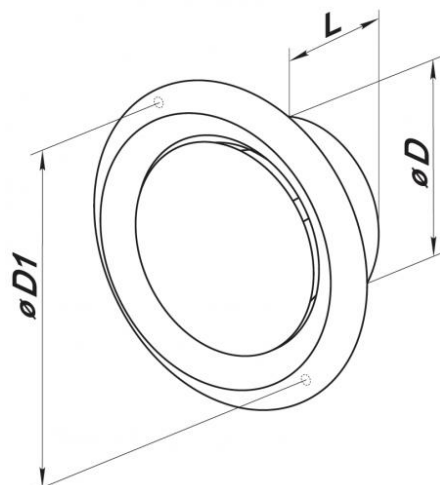


EAM-VRFN Air intake and exhaust valves in stainless steel



Description

Air intake and exhaust valves in stainless steel with adjustable airflow regulation and flange to fix them on circular duct. Suitable for false-ceiling or wall installation.

Characteristics

Material : stainless steel.
Installation : by not apparent screws

Use

Used for air exhaust and supply in shops, bathrooms and service spaces. Suitable for ceiling installation, directly on the duct.

Dimensions and price list

Item normally available from stock

| model | D | D1 | L | effective section m^2 | max airflow m^3/h | euro |
|--------------|-----|-----|----|-------------------------|---------------------|------|
| EAM-100-VRFN | 97 | 118 | 52 | 0,0032 | 60 | ∨ |
| EAM-125-VRFN | 120 | 141 | 52 | 0,0057 | 80 | ∨ |
| EAM-150-VRFN | 145 | 162 | 62 | 0,0090 | 100 | ∨ |