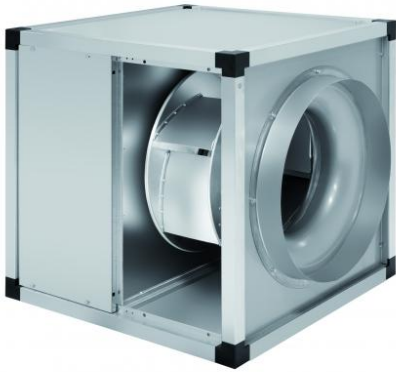


EVKABT Self-cleaning ventilation box



Description

Cabinet fans manufactured from galvanised steel sheet with double thickness side panels lined with 17 mm thickness of fireproof fibreglass acoustic insulation (M0). Circular duct connection flange on the inlet.
 EVKABB / EVKABT incorporates direct driven aluminium backward curved centrifugal impeller with motor fitted outside of the air stream.
 Supplied with galvanized drip tray and copper drain.

Characteristic

Supply voltage:
 Trifase 230/400V-50Hz or 400V-50Hz. It is possible to adjust the speed of fans with frequency inverter (optional).
 Work temperatures -20°C A +100°C.

Technical characteristics

* Sound pressure level measured at 1,5m, in free field condition, at the medium point of the performance curve

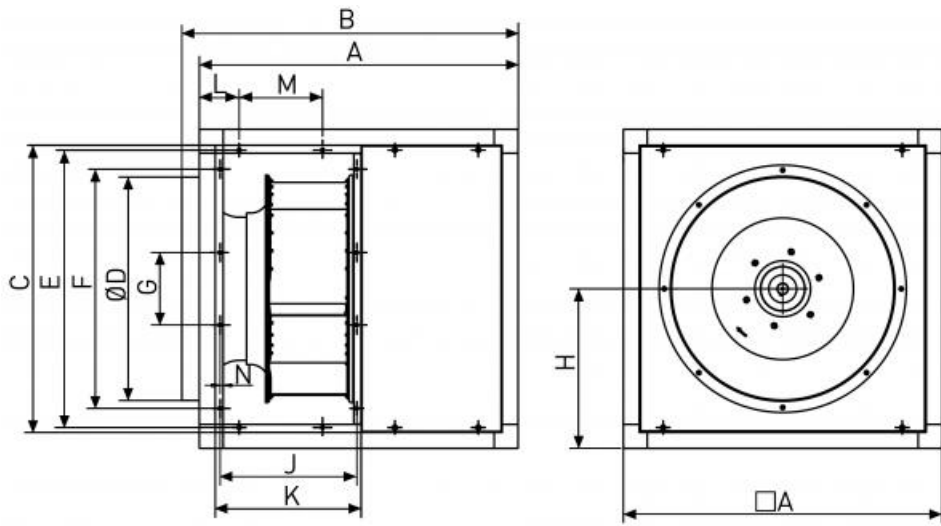
Model	Speed (RPM)	Maximum power absorbed (W)	Maximum current absorbed (A)		Maximum air volume (m ³ /h)	Sound pressure level* (dB(A))			Weight (kg)	Variable frequency inverter Main supply 400V 3F	
			230 V	400 V		Inlet	Rad.	Outlet		Model	Kw
EVKABT/4-3000/315	1430	327	1,2	0,7	2.750	60	54	61	33	M130L	0,75
EVKABT/4-4000/355	1450	561	2,1	1,2	4.000	63	55	65	40	M130L	0,75
EVKABT/4-6000/450	1495	1221	5,4	3,1	6.350	67	55	71	58	M130M	1,5
EVKABT/4-9000/500	1430	2022	6,1	3,5	8.840	76	62	77	75	M130M	1,5
EVKABT/4-12000/560	1460	2673	-	5	11.400	71	59	75	120	M130P	2,2

Aerulic performance three-phase 400V models:

Model	Pressure drop Pa										
	50	100	150	200	250	300	350	400	450	500	550
	Air flow rate m ³ /h at 50hz										
EVKABT/4-3000/315	2600	2400	2200	1980	1780	1600	1350	1050	400	-	-
EVKABT/4-4000/355	3800	3650	3500	3320	3200	2850	2600	2300	2000	1100	300
EVKABT/4-6000/450	5900	5800	5500	5350	5070	4850	4600	4400	4150	3800	3500
EVKABT/4-9000/500	8500	8400	8050	7800	7550	7400	7050	6900	6700	6400	6000
EVKABT/4-12000/560	11300	11100	10900	10600	10400	10000	9600	9450	9050	8700	8250

Modello	Pressure drop Pa									
	600	650	700	750	800	850	900	950	1000	
	Air flow rate m ³ /h at 50hz									
EVKABT/4-3000/315	-	-	-	-	-	-	-	-	-	-
EVKABT/4-4000/355	-	-	-	-	-	-	-	-	-	-
EVKABT/4-6000/450	2600	1800	500	-	-	-	-	-	-	-
EVKABT/4-9000/500	5800	5450	5000	4500	3750	2800	1100	400	-	-
EVKABT/4-12000/560	8000	7300	6700	6250	6000	5500	4700	3500	2250	-

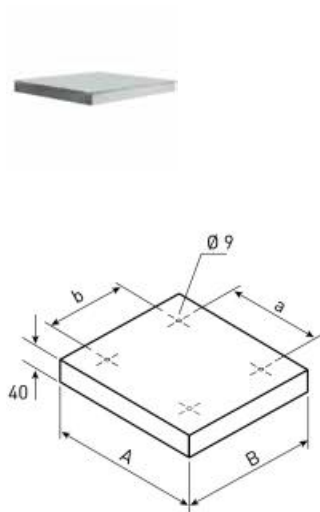
Dimensions:



Model	A	B	C	D	E	F	G	H	J	K	L	M	N
EVKABT/4-3000/315	505	549	445	315	421	325	125	253	198	222	90	100	12
EVKABT/4-4000/355	550	592	490	355	466	370	170	275	222	245	60	100	12
EVKABT/4-6000/450	630	674	570	450	546	450	130	315	242	265	60	160	12
EVKABT/4-9000/500	710	753	630	500	606	510	190	355	271	294	100	206	8
EVKABT/4-12000/560	800	844	720	560	696	600	182	400	343	366	100	209	8

Outdoor cover EVCTIKABT:

For outdoor installations.



Model	A	B	a	b
EVKABT 3000	535	535	325,2	420,7
EVKABT 4000	580	580	370	465,5
EVKABT 6000	660	660	450	545,5
EVKABT 9000	740	740	510	605,5
EVKABT 12000	830	830	600	695,5

Price list:

Item normally available from stock				
Modello	Euro	Convertitore di frequenza		Tettuccio parapiovvia EVCTIKABT
		Modello	Euro	Euro
EVKABT/4-3000/315	✓	M130L	✓	✓
EVKABT/4-4000/355	✓	M130L	✓	✓
EVKABT/4-6000/450	✓	M130M	✓	✓
EVKABT/4-9000/500	✓	M130M	✓	✓
EVKABT/4-12000/560	✓	M130P	✓	✓