

# EDCC Circular diffusers with closed plate

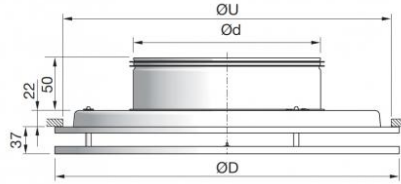


## Description

Circular diffusers for ceiling installation with closed front plate.

## Characteristics

Material: steel.  
Finish: painted white RAL 9010.  
Installation: by means of non-visible screws.



## Use

Thanks to its special construction, it is a very versatile diffuser.

Recommended for both supply and exhaust air. It can be supplied with various accessories that guarantee optimal diffuser operation.

## Accessories

- EPZ-DC galvanised plenum;
- EPI-DC insulated plenum;
- EDZ regulation damper;
- directional deflectors;
- mounting brackets;
- plate for false ceilings to install the diffuser on a modular false ceiling 600mm x 600mm.

## Dimensions

all dimensions are expressed in mm

model	Ød mm	ØD mm	ØU (hole size) mm	effective cross-section m <sup>2</sup>	weight Kg
125	125	240	200	0,011	0,8
160	160	300	260	0,016	1,2
200	200	360	320	0,023	1,7
250	250	460	420	0,030	2,2
315	315	540	500	0,037	3,2
400	400	540	500	0,037	3,4

## Operating data

Vk: effective speed (m/s)

m<sup>3</sup>/h: flow rate

Pa: pressure drops in Pascal

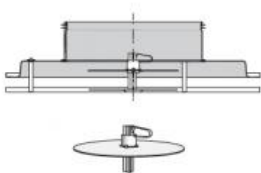
L(m): air throw in metres calculated on ceiling installation, terminal velocity 0.20 m/s

dB(A): noise level

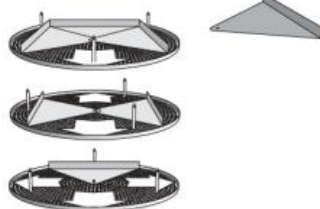
model	Vk	2,5	3	3,5	4	5	6	7
125	m <sup>3</sup> /h	99	119	139	158	198	238	277
	L(m)	1,8	2,3	2,5	2,8	3,4	4,1	4,6
	Pa	6	7	11	13	21	32	36
	dB(A)	<20	22	27	30	36	42	43
160	m <sup>3</sup> /h	144	173	202	230	288	346	403
	L(m)	2	2,6	2,8	3,3	4	4,7	5,5
	Pa	4	5	9	11	17	27	33
	dB(A)	<20	<20	<20	22	27	35	41
200	m <sup>3</sup> /h	207	248	290	331	414	497	580
	L(m)	2,3	2,8	3,3	3,7	4,4	5,3	6,1
	Pa	5	8	12	16	25	33	49
	dB(A)	<20	<20	23	27	33	39	47
250	m <sup>3</sup> /h	270	324	378	432	540	648	756
	L(m)	2,4	2,7	3,4	3,8	4,5	5,4	6,3
	Pa	5	8	10	13	21	30	47
	dB(A)	<20	22	26	29	37	42	48
315	m <sup>3</sup> /h	333	400	466	533	666	799	932
	L(m)	2,4	2,8	3,3	3,8	4,8	5,5	6,3
	Pa	5	9	13	17	25	35	47
	dB(A)	<20	<20	22	27	34	40	45
400	m <sup>3</sup> /h	333	400	466	533	666	799	932
	L(m)	2,1	2,4	2,7	3,1	3,9	4,5	5,3
	Pa	5	7	10	13	19	28	38
	dB(A)	<20	<20	<20	<20	25	32	37

## Accessories

### Regulation damper



### Deflector (set)

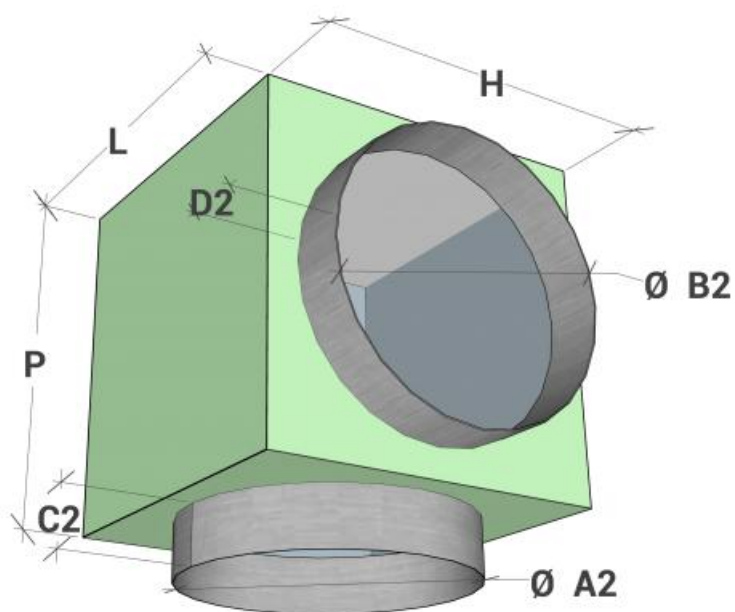


### Assembly fabrics



### Modular plate for false ceilings





All measurements are expressed in mm.

model	L	H	P	ØA2 Diffuser	ØB2 duct - flexible or rigid	C2	D2
125	200	200	200	127	125	70	100
160	250	250	250	162	155	70	100
200	300	300	300	202	195	70	100
250	350	350	350	252	245	70	100
315	400	400	400	317	310	70	100
400	500	500	500	402	395	70	100

### Price list

Item normally available from stock

model	diffuser EDCC	EDZ regulation damper	Deflectors	Mounting brackets	Plate for false ceilings	Galvanised plenum	Insulated plenum
	euro	euro	euro	euro	euro	EPZ-DC	EPI-DC
	euro	euro	euro	euro	euro	euro	euro
125	✓	✓	✓	✓	✓	✓	✓
160	✓	✓	✓	✓	✓	✓	✓
200	✓	✓	✓	✓	✓	✓	✓
250	✓	✓	✓	✓	✓	✓	✓
315	✓	✓	✓	✓	✓	✓	✓
400	✓	✓	✓	✓	✓	✓	✓