

CU2 European rectangular fire dampers in refractory material



Description

Rectangular fire dampers for large dimensions with fire resistance up to 120 minutes, CE marked with performance declared according to EN 15650:2010 and with fire resistance determined according to EN 1366-2 up to EI 120 (ve i ↔ o) S - (500Pa) and EI 120 (ho i ↔ o) S - (500Pa) depending on the installation surface. The dampers can be equipped with different types of mechanisms, depending on the specific needs of the project.

Standard version

With thermo-mechanical manual drive: code CU2 + CFTH + FDCU

With RFT electronic servomotor drive: code CU2 + ONE T - 24/230 V FDCU

With Belimo servomotor drive: code CU2 + BFLT / BFNT - 24 / 230 V

Versions on request

With electromagnet drive normally energised or normally de-energised, code CU2 + UNIQ VD/VM FDCB

Use and classification with mechanical, magnetic or motorised control

- Rigid wall: EI 120 (ve i ↔ o) S - (500 Pa).
- Lightweight wall: EI 120 (ve i ↔ o) S - (500 Pa) (gypsum blocks).
- Lightweight wall: EI 120 (ve i ↔ o) S - (500 Pa) (plasterboard type F).
- Slab: EI 120 (ho i ↔ o) S - (500 Pa) aerated concrete.

Special applications

- Mod. CU2/B version for installation in series.
- Mod. CU2L version with extended tunnel on one or both sides to contain the entire blade.
- Mod. CU4 damper with EI 240 resistance (ve i ↔ o) S - (500 Pa) for brick walls.
- Mod. CU2/15 damper with EI 120 resistance (ve i ↔ o) S and pressure (1500 Pa) for brick walls.

Characteristics

Structure made of refractory material.
45 mm thick refractory blade.
Dimensions: from 200x200 to 1500x1000.
Heat-expanding perimeter seal.
Two microswitches (one start and one end switch) already installed.
30 mm connection flange.
400 mm case.
Easy to install.
Tested installation in series.
Class B air tightness according to EN1751.
Suitable for recessed installation in any direction 0/90/180/270°.
Suitable for rigid wall, rigid floor and lightweight wall (plasterboard).
Does not require maintenance.
For indoor use.
Intermediate dimensions on request.
Operating temperature: max 50°C.

ONE RFT actuator characteristics

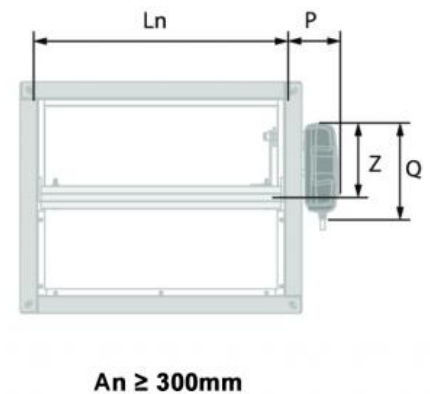
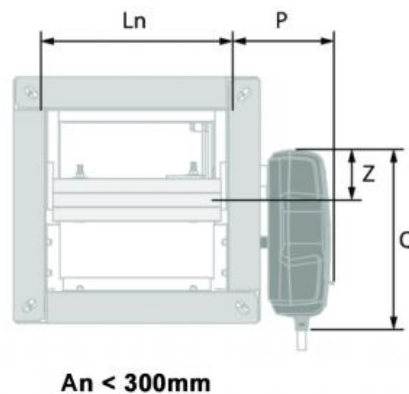
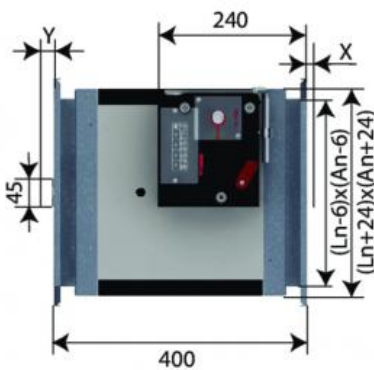
The microprocessor-controlled servomotor with spring return, ONE Rf-t, is designed to efficiently operate Rf-t fire dampers of any size. The main characteristics of the ONE Rf-t actuator are the following:

- very low stand-by energy consumption (0.12 W) which allows for up to 5 times less energy consumption compared to conventional servomotors installed in fire dampers;
- the opening status of the fire damper is visible via an indicator located on the actuator; in addition to this, an LED indicates whether the device is powered;
- the main thermal activation device allows for operational tests to be performed even if there is no mains power supply;
- a further activation device is integrated in the actuator in order to detect a possible fire outside the duct;
- the fuse can be replaced quickly and easily. The fuse housing is located in the servomotor body and it can also be used as an inspection hole for an endoscopic camera;
- the damper can be reset manually using a common 9 Volt alkaline battery. Up to 50 reset cycles can be performed with a single battery;
- IP54 enclosure made of shock-resistant technical polymer.
- there is a pair of microswitches at the start and at the end. Both power and position cables are oversized and clearly identified.
- Power supply 24 VAC/VDC (-10/+20%) or 230 VAC (-15/+15%).

Minimum distance principle

CU2 FIRE DAMPERS CAN BE INSTALLED WITH COUPLED FLANGES ADJACENT TO A WALL, CEILING OR FLOOR.

This type of fire damper has been optimised to minimise the installation distance between two dampers and between the damper and the adjacent wall.



Dimensions:

- x: blade coming out on servomotor side
- y: blade coming out on wall side

An(mm)	300	350	400	450	500	550	600	650	700	750	800	850	900	950	1000
x (mm)						1	26	51	76	101	126	151	176	201	226
y (mm)	2	27	52	77	102	127	152	177	202	227	252	277	302	327	352

	An < 300mm (mm)				An ≥ 300mm (mm)			
	CFTH	ONE	BFL(T)	E/RMEX(T)	CFTH	ONE	BFL(T)	BFN(T)
P (mm)	78	104	96	118	78	104	96	100
Q (mm)	180	191	110	95	180	191	110	110
Z (mm)	62	47	47	72,5	157	147	180	180

Version with mechanical control - Price list

Item normally available from stock

An: height	Ln:base (mm)													
	200	250	300	350	400	450	500	550	600	650	700	750	800	
mm	euro	euro	euro	euro	euro	euro	euro	euro	euro	euro	euro	euro	euro	
200	↓	↓	↓	↓	↓	↓	↓	↓	↓	↓	↓	↓	↓	
250	↓	↓	↓	↓	↓	↓	↓	↓	↓	↓	↓	↓	↓	
300	↓	↓	↓	↓	↓	↓	↓	↓	↓	↓	↓	↓	↓	
350	↓	↓	↓	↓	↓	↓	↓	↓	↓	↓	↓	↓	↓	
400	↓	↓	↓	↓	↓	↓	↓	↓	↓	↓	↓	↓	↓	
450	↓	↓	↓	↓	↓	↓	↓	↓	↓	↓	↓	↓	↓	
500	↓	↓	↓	↓	↓	↓	↓	↓	↓	↓	↓	↓	↓	
550	↓	↓	↓	↓	↓	↓	↓	↓	↓	↓	↓	↓	↓	
600	↓	↓	↓	↓	↓	↓	↓	↓	↓	↓	↓	↓	↓	
650	↓	↓	↓	↓	↓	↓	↓	↓	↓	↓	↓	↓	↓	
700	↓	↓	↓	↓	↓	↓	↓	↓	↓	↓	↓	↓	↓	
750	↓	↓	↓	↓	↓	↓	↓	↓	↓	↓	↓	↓	↓	
800	↓	↓	↓	↓	↓	↓	↓	↓	↓	↓	↓	↓	↓	
850	↓	↓	↓	↓	↓	↓	↓	↓	↓	↓	↓	↓	↓	
900	↓	↓	↓	↓	↓	↓	↓	↓	↓	↓	↓	↓	↓	
950	↓	↓	↓	↓	↓	↓	↓	↓	↓	↓	↓	↓	↓	
1000	↓	↓	↓	↓	↓	↓	↓	↓	↓	↓	↓	↓	↓	

Version with mechanical control - Price list

Item normally available from stock

An: height	Ln:base (mm)													
	850	900	950	1000	1050	1100	1150	1200	1250	1300	1350	1400	1450	1500
mm	euro	euro	euro	euro	euro	euro	euro	euro	euro	euro	euro	euro	euro	euro
200	↓	↓	↓	↓	↓	↓	↓	↓	↓	↓	↓	↓	↓	↓
250	↓	↓	↓	↓	↓	↓	↓	↓	↓	↓	↓	↓	↓	↓
300	↓	↓	↓	↓	↓	↓	↓	↓	↓	↓	↓	↓	↓	↓
350	↓	↓	↓	↓	↓	↓	↓	↓	↓	↓	↓	↓	↓	↓
400	↓	↓	↓	↓	↓	↓	↓	↓	↓	↓	↓	↓	↓	↓
450	↓	↓	↓	↓	↓	↓	↓	↓	↓	↓	↓	↓	↓	↓
500	↓	↓	↓	↓	↓	↓	↓	↓	↓	↓	↓	↓	↓	↓
550	↓	↓	↓	↓	↓	↓	↓	↓	↓	↓	↓	↓	↓	↓
600	↓	↓	↓	↓	↓	↓	↓	↓	↓	↓	↓	↓	---	---
650	↓	↓	↓	↓	↓	↓	↓	↓	↓	↓	↓	---	---	---
700	↓	↓	↓	↓	↓	↓	↓	↓	↓	↓	---	---	---	---
750	↓	↓	↓	↓	↓	↓	↓	↓	↓	---	---	---	---	---
800	↓	↓	↓	↓	↓	↓	↓	↓	---	---	---	---	---	---
850	↓	↓	↓	↓	↓	↓	↓	---	---	---	---	---	---	---
900	↓	↓	↓	↓	↓	↓	---	---	---	---	---	---	---	---
950	↓	↓	↓	↓	↓	---	---	---	---	---	---	---	---	---
1000	↓	↓	↓	↓	---	---	---	---	---	---	---	---	---	---

Version with motorised control ONE RFT 24V - Price list

An:height	Ln:base (mm)													
	200	250	300	350	400	450	500	550	600	650	700	750	800	
mm	euro	euro	euro	euro	euro	euro	euro	euro	euro	euro	euro	euro	euro	
200	↓	↓	↓	↓	↓	↓	↓	↓	↓	↓	↓	↓	↓	
250	↓	↓	↓	↓	↓	↓	↓	↓	↓	↓	↓	↓	↓	
300	↓	↓	↓	↓	↓	↓	↓	↓	↓	↓	↓	↓	↓	
350	↓	↓	↓	↓	↓	↓	↓	↓	↓	↓	↓	↓	↓	
400	↓	↓	↓	↓	↓	↓	↓	↓	↓	↓	↓	↓	↓	
450	↓	↓	↓	↓	↓	↓	↓	↓	↓	↓	↓	↓	↓	
500	↓	↓	↓	↓	↓	↓	↓	↓	↓	↓	↓	↓	↓	
550	↓	↓	↓	↓	↓	↓	↓	↓	↓	↓	↓	↓	↓	
600	↓	↓	↓	↓	↓	↓	↓	↓	↓	↓	↓	↓	↓	
650	↓	↓	↓	↓	↓	↓	↓	↓	↓	↓	↓	↓	↓	
700	↓	↓	↓	↓	↓	↓	↓	↓	↓	↓	↓	↓	↓	
750	↓	↓	↓	↓	↓	↓	↓	↓	↓	↓	↓	↓	↓	
800	↓	↓	↓	↓	↓	↓	↓	↓	↓	↓	↓	↓	↓	
850	↓	↓	↓	↓	↓	↓	↓	↓	↓	↓	↓	↓	↓	
900	↓	↓	↓	↓	↓	↓	↓	↓	↓	↓	↓	↓	↓	
950	↓	↓	↓	↓	↓	↓	↓	↓	↓	↓	↓	↓	↓	
1000	↓	↓	↓	↓	↓	↓	↓	↓	↓	↓	↓	↓	↓	

Version with motorised control ONE RFT 24V - Price list

An:height	Ln:base (mm)													
	850	900	950	1000	1050	1100	1150	1200	1250	1300	1350	1400	1450	1500
mm	euro	euro	euro	euro	euro	euro	euro	euro	euro	euro	euro	euro	euro	euro
200	▼	▼	▼	▼	▼	▼	▼	▼	▼	▼	▼	▼	▼	▼
250	▼	▼	▼	▼	▼	▼	▼	▼	▼	▼	▼	▼	▼	▼
300	▼	▼	▼	▼	▼	▼	▼	▼	▼	▼	▼	▼	▼	▼
350	▼	▼	▼	▼	▼	▼	▼	▼	▼	▼	▼	▼	▼	▼
400	▼	▼	▼	▼	▼	▼	▼	▼	▼	▼	▼	▼	▼	▼
450	▼	▼	▼	▼	▼	▼	▼	▼	▼	▼	▼	▼	▼	▼
500	▼	▼	▼	▼	▼	▼	▼	▼	▼	▼	▼	▼	▼	▼
550	▼	▼	▼	▼	▼	▼	▼	▼	▼	▼	▼	▼	▼	▼
600	▼	▼	▼	▼	▼	▼	▼	▼	▼	▼	▼	▼	▼	▼
650	▼	▼	▼	▼	▼	▼	▼	▼	▼	▼	▼	▼	▼	▼
700	▼	▼	▼	▼	▼	▼	▼	▼	▼	▼	▼	▼	▼	▼
750	▼	▼	▼	▼	▼	▼	▼	▼	▼	▼	▼	▼	▼	▼
800	▼	▼	▼	▼	▼	▼	▼	▼	▼	▼	▼	▼	▼	▼
850	▼	▼	▼	▼	▼	▼	▼	▼	▼	▼	▼	▼	▼	▼
900	▼	▼	▼	▼	▼	▼	▼	▼	▼	▼	▼	▼	▼	▼
950	▼	▼	▼	▼	▼	▼	▼	▼	▼	▼	▼	▼	▼	▼
1000	▼	▼	▼	▼	▼	▼	▼	▼	▼	▼	▼	▼	▼	▼

Version with motorised control ONE RFT 230V - Price list

An:height	Ln:base (mm)													
	200	250	300	350	400	450	500	550	600	650	700	750	800	
mm	euro	euro	euro	euro	euro	euro	euro	euro	euro	euro	euro	euro	euro	
200	▼	▼	▼	▼	▼	▼	▼	▼	▼	▼	▼	▼	▼	
250	▼	▼	▼	▼	▼	▼	▼	▼	▼	▼	▼	▼	▼	
300	▼	▼	▼	▼	▼	▼	▼	▼	▼	▼	▼	▼	▼	
350	▼	▼	▼	▼	▼	▼	▼	▼	▼	▼	▼	▼	▼	
400	▼	▼	▼	▼	▼	▼	▼	▼	▼	▼	▼	▼	▼	
450	▼	▼	▼	▼	▼	▼	▼	▼	▼	▼	▼	▼	▼	
500	▼	▼	▼	▼	▼	▼	▼	▼	▼	▼	▼	▼	▼	
550	▼	▼	▼	▼	▼	▼	▼	▼	▼	▼	▼	▼	▼	
600	▼	▼	▼	▼	▼	▼	▼	▼	▼	▼	▼	▼	▼	
650	▼	▼	▼	▼	▼	▼	▼	▼	▼	▼	▼	▼	▼	
700	▼	▼	▼	▼	▼	▼	▼	▼	▼	▼	▼	▼	▼	
750	▼	▼	▼	▼	▼	▼	▼	▼	▼	▼	▼	▼	▼	
800	▼	▼	▼	▼	▼	▼	▼	▼	▼	▼	▼	▼	▼	
850	▼	▼	▼	▼	▼	▼	▼	▼	▼	▼	▼	▼	▼	
900	▼	▼	▼	▼	▼	▼	▼	▼	▼	▼	▼	▼	▼	
950	▼	▼	▼	▼	▼	▼	▼	▼	▼	▼	▼	▼	▼	
1000	▼	▼	▼	▼	▼	▼	▼	▼	▼	▼	▼	▼	▼	

Version with motorised control ONE RFT 230V - Price list

An:height	Ln:base (mm)													
	850	900	950	1000	1050	1100	1150	1200	1250	1300	1350	1400	1450	1500
mm	euro	euro	euro	euro	euro	euro	euro	euro	euro	euro	euro	euro	euro	euro
200	▼	▼	▼	▼	▼	▼	▼	▼	▼	▼	▼	▼	▼	▼
250	▼	▼	▼	▼	▼	▼	▼	▼	▼	▼	▼	▼	▼	▼
300	▼	▼	▼	▼	▼	▼	▼	▼	▼	▼	▼	▼	▼	▼
350	▼	▼	▼	▼	▼	▼	▼	▼	▼	▼	▼	▼	▼	▼
400	▼	▼	▼	▼	▼	▼	▼	▼	▼	▼	▼	▼	▼	▼
450	▼	▼	▼	▼	▼	▼	▼	▼	▼	▼	▼	▼	▼	▼
500	▼	▼	▼	▼	▼	▼	▼	▼	▼	▼	▼	▼	▼	▼
550	▼	▼	▼	▼	▼	▼	▼	▼	▼	▼	▼	▼	▼	▼
600	▼	▼	▼	▼	▼	▼	▼	▼	▼	▼	▼	▼	▼	▼
650	▼	▼	▼	▼	▼	▼	▼	▼	▼	▼	▼	▼	▼	▼
700	▼	▼	▼	▼	▼	▼	▼	▼	▼	▼	▼	▼	▼	▼
750	▼	▼	▼	▼	▼	▼	▼	▼	▼	▼	▼	▼	▼	▼
800	▼	▼	▼	▼	▼	▼	▼	▼	▼	▼	▼	▼	▼	▼
850	▼	▼	▼	▼	▼	▼	▼	▼	▼	▼	▼	▼	▼	▼
900	▼	▼	▼	▼	▼	▼	▼	▼	▼	▼	▼	▼	▼	▼
950	▼	▼	▼	▼	▼	▼	▼	▼	▼	▼	▼	▼	▼	▼
1000	▼	▼	▼	▼	▼	▼	▼	▼	▼	▼	▼	▼	▼	▼

Version with motorised control Belimo 24V - Price list

Ln:base (mm)													
An: height	200	250	300	350	400	450	500	550	600	650	700	750	800
mm	euro	euro	euro	euro	euro	euro	euro	euro	euro	euro	euro	euro	euro
200	▼	▼	▼	▼	▼	▼	▼	▼	▼	▼	▼	▼	▼
250	▼	▼	▼	▼	▼	▼	▼	▼	▼	▼	▼	▼	▼
300	▼	▼	▼	▼	▼	▼	▼	▼	▼	▼	▼	▼	▼
350	▼	▼	▼	▼	▼	▼	▼	▼	▼	▼	▼	▼	▼
400	▼	▼	▼	▼	▼	▼	▼	▼	▼	▼	▼	▼	▼
450	▼	▼	▼	▼	▼	▼	▼	▼	▼	▼	▼	▼	▼
500	▼	▼	▼	▼	▼	▼	▼	▼	▼	▼	▼	▼	▼
550	▼	▼	▼	▼	▼	▼	▼	▼	▼	▼	▼	▼	▼
600	▼	▼	▼	▼	▼	▼	▼	▼	▼	▼	▼	▼	▼
650	▼	▼	▼	▼	▼	▼	▼	▼	▼	▼	▼	▼	▼
700	▼	▼	▼	▼	▼	▼	▼	▼	▼	▼	▼	▼	▼
750	▼	▼	▼	▼	▼	▼	▼	▼	▼	▼	▼	▼	▼
800	▼	▼	▼	▼	▼	▼	▼	▼	▼	▼	▼	▼	▼
850	▼	▼	▼	▼	▼	▼	▼	▼	▼	▼	▼	▼	▼
900	▼	▼	▼	▼	▼	▼	▼	▼	▼	▼	▼	▼	▼
950	▼	▼	▼	▼	▼	▼	▼	▼	▼	▼	▼	▼	▼
1000	▼	▼	▼	▼	▼	▼	▼	▼	▼	▼	▼	▼	▼

Version with motorised control Belimo 24V - Price list

Item normally available from stock														
Ln:base (mm)														
An: height	850	900	950	1000	1050	1100	1150	1200	1250	1300	1350	1400	1450	1500
mm	euro	euro	euro	euro	euro	euro	euro	euro	euro	euro	euro	euro	euro	euro
200	▼	▼	▼	▼	▼	▼	▼	▼	▼	▼	▼	▼	▼	▼
250	▼	▼	▼	▼	▼	▼	▼	▼	▼	▼	▼	▼	▼	▼
300	▼	▼	▼	▼	▼	▼	▼	▼	▼	▼	▼	▼	▼	▼
350	▼	▼	▼	▼	▼	▼	▼	▼	▼	▼	▼	▼	▼	▼
400	▼	▼	▼	▼	▼	▼	▼	▼	▼	▼	▼	▼	▼	▼
450	▼	▼	▼	▼	▼	▼	▼	▼	▼	▼	▼	▼	▼	▼
500	▼	▼	▼	▼	▼	▼	▼	▼	▼	▼	▼	▼	▼	▼
550	▼	▼	▼	▼	▼	▼	▼	▼	▼	▼	▼	▼	▼	▼
600	▼	▼	▼	▼	▼	▼	▼	▼	▼	▼	▼	▼	▼	▼
650	▼	▼	▼	▼	▼	▼	▼	▼	▼	▼	▼	▼	▼	▼
700	▼	▼	▼	▼	▼	▼	▼	▼	▼	▼	▼	▼	▼	▼
750	▼	▼	▼	▼	▼	▼	▼	▼	▼	▼	▼	▼	▼	▼
800	▼	▼	▼	▼	▼	▼	▼	▼	▼	▼	▼	▼	▼	▼
850	▼	▼	▼	▼	▼	▼	▼	▼	▼	▼	▼	▼	▼	▼
900	▼	▼	▼	▼	▼	▼	▼	▼	▼	▼	▼	▼	▼	▼
950	▼	▼	▼	▼	▼	▼	▼	▼	▼	▼	▼	▼	▼	▼
1000	▼	▼	▼	▼	▼	▼	▼	▼	▼	▼	▼	▼	▼	▼

Version with motorised control Belimo 230V - Price list

Ln:base (mm)													
An: height	200	250	300	350	400	450	500	550	600	650	700	750	800
mm	euro	euro	euro	euro	euro	euro	euro	euro	euro	euro	euro	euro	euro
200	▼	▼	▼	▼	▼	▼	▼	▼	▼	▼	▼	▼	▼
250	▼	▼	▼	▼	▼	▼	▼	▼	▼	▼	▼	▼	▼
300	▼	▼	▼	▼	▼	▼	▼	▼	▼	▼	▼	▼	▼
350	▼	▼	▼	▼	▼	▼	▼	▼	▼	▼	▼	▼	▼
400	▼	▼	▼	▼	▼	▼	▼	▼	▼	▼	▼	▼	▼
450	▼	▼	▼	▼	▼	▼	▼	▼	▼	▼	▼	▼	▼
500	▼	▼	▼	▼	▼	▼	▼	▼	▼	▼	▼	▼	▼
550	▼	▼	▼	▼	▼	▼	▼	▼	▼	▼	▼	▼	▼
600	▼	▼	▼	▼	▼	▼	▼	▼	▼	▼	▼	▼	▼
650	▼	▼	▼	▼	▼	▼	▼	▼	▼	▼	▼	▼	▼
700	▼	▼	▼	▼	▼	▼	▼	▼	▼	▼	▼	▼	▼
750	▼	▼	▼	▼	▼	▼	▼	▼	▼	▼	▼	▼	▼
800	▼	▼	▼	▼	▼	▼	▼	▼	▼	▼	▼	▼	▼
850	▼	▼	▼	▼	▼	▼	▼	▼	▼	▼	▼	▼	▼
900	▼	▼	▼	▼	▼	▼	▼	▼	▼	▼	▼	▼	▼
950	▼	▼	▼	▼	▼	▼	▼	▼	▼	▼	▼	▼	▼
1000	▼	▼	▼	▼	▼	▼	▼	▼	▼	▼	▼	▼	▼

Version with motorised control Belimo 230V - Price list

Ln:base (mm)														
An:height	850	900	950	1000	1050	1100	1150	1200	1250	1300	1350	1400	1450	1500
mm	euro	euro	euro	euro	euro	euro	euro	euro	euro	euro	euro	euro	euro	euro
200	✓	✓	✓	✓	✓	✓	✓	✓	✓	✓	✓	✓	✓	✓
250	✓	✓	✓	✓	✓	✓	✓	✓	✓	✓	✓	✓	✓	✓
300	✓	✓	✓	✓	✓	✓	✓	✓	✓	✓	✓	✓	✓	✓
350	✓	✓	✓	✓	✓	✓	✓	✓	✓	✓	✓	✓	✓	✓
400	✓	✓	✓	✓	✓	✓	✓	✓	✓	✓	✓	✓	✓	✓
450	✓	✓	✓	✓	✓	✓	✓	✓	✓	✓	✓	✓	✓	✓
500	✓	✓	✓	✓	✓	✓	✓	✓	✓	✓	✓	✓	✓	✓
550	✓	✓	✓	✓	✓	✓	✓	✓	✓	✓	✓	✓	✓	✓
600	✓	✓	✓	✓	✓	✓	✓	✓	✓	✓	✓	✓	✓	✓
650	✓	✓	✓	✓	✓	✓	✓	✓	✓	✓	✓	✓	✓	✓
700	✓	✓	✓	✓	✓	✓	✓	✓	✓	✓	✓	✓	✓	✓
750	✓	✓	✓	✓	✓	✓	✓	✓	✓	✓	✓	✓	✓	✓
800	✓	✓	✓	✓	✓	✓	✓	✓	✓	✓	✓	✓	✓	✓
850	✓	✓	✓	✓	✓	✓	✓	✓	✓	✓	✓	✓	✓	✓
900	✓	✓	✓	✓	✓	✓	✓	✓	✓	✓	✓	✓	✓	✓
950	✓	✓	✓	✓	✓	✓	✓	✓	✓	✓	✓	✓	✓	✓
1000	✓	✓	✓	✓	✓	✓	✓	✓	✓	✓	✓	✓	✓	✓

Spare fuses

Item normally available from stock

Description	Euro
thermo-mechanical manual fuse	✓
ONE T fuse for RFT electronic servomotor	✓
Z-BAT fuse for BELIMO electronic servomotor	✓

