

# EGA 1-4 Exhaust aluminium grilles 25 mm pitch with filter



## Description

Exhaust grilles with fixed horizontal blades inclined by 45°, with the insertion of a special profile or counter-frame that allows for a flat filter for coarse or fine dust to be housed.

## Characteristics

Material: aluminium.  
Finish: natural anodised.  
Filter: COARSE class (G2) thickness 12 mm.

## Installation

Installation is carried out by opening the special brackets in the counter-frame or, alternatively, by securing the latter to the wall or duct using screws.

EGA1 - EGA2: for wall installation only, ceiling installation is not recommended. Closing with magnet.

EGA3 - EGA4: closing with screw.

## Use

For external or indoor air exhaust where dust pre-filtration is recommended.  
Initial pressure drop lower than 40 Pa with 1.5 m/s speed on the filter.

## Models

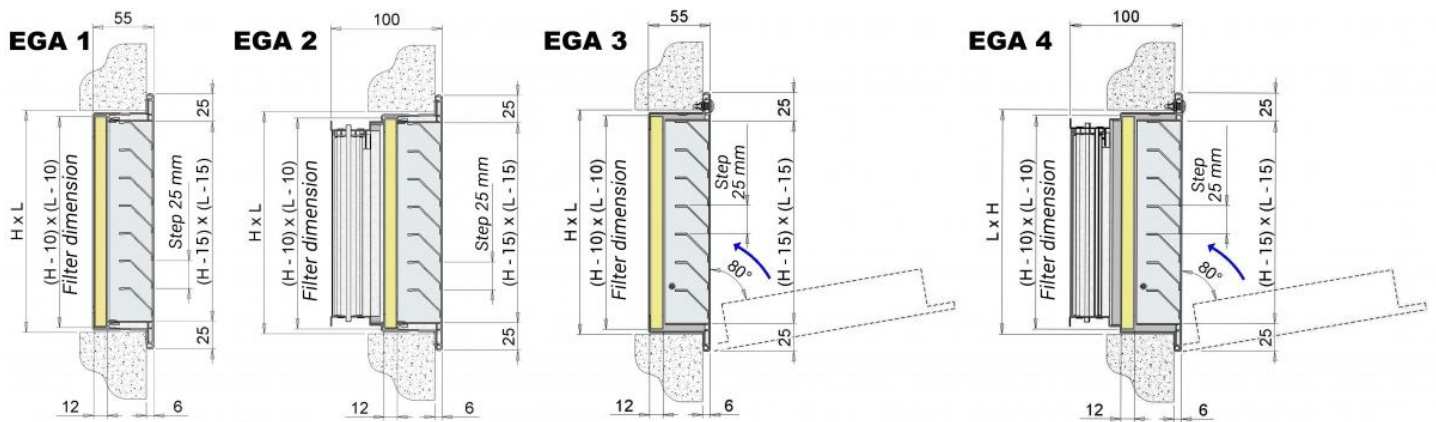
EGA1: grille with filter;  
EGA2: grille with filter and damper;  
EGA3: grille with special counter-frame secured with a hinge to the grille frame to allow for easy filter maintenance;  
EGA4: grille with damper and special counter-frame secured with a hinge to the grille frame to allow for easy filter maintenance.

## Accessories

- EPZ galvanised plenum;
- EPI insulated plenum;

## On request

Fastening with magnet or knobs (EGA3 - EGA4).



## Effective cross-section

H	L						
	200	300	400	500	600	800	1000
effective cross-section of the grille m <sup>2</sup>							
200	0,019	0,030	0,040	0,050	0,061	0,081	0,102
300	0,029	0,045	0,061	0,076	0,092	0,124	0,155
400	0,039	0,060	0,081	0,102	0,123	0,166	0,208
500	0,049	0,075	0,102	0,128	0,155	0,208	0,261
600	0,059	0,091	0,123	0,154	0,186	0,250	0,313
800	0,079	0,121	0,164	0,206	0,249	0,334	0,419

## Operating data

m<sup>3</sup>/h: flow rate

Pa: pressure drops in Pascal

dB(A): noise level

V: face velocity on the filter (m/s)

An air velocity on the filter of 1.5 m/s is recommended to contain pressure drops and maintain filtration efficiency; the flow rate data in the table refers to the grille with the filter.

All dimensions are expressed in mm

H	V m/s	L						
		200	300	400	500	600	800	1000
Face velocity on the filter		air flow rate m <sup>3</sup> /h						
200	1,5	195	300	400	505	605	810	1015
	2	260	395	535	670	805	1080	1355
300	1,5	300	455	610	765	925	1235	1550
	2	395	605	810	1025	1230	1650	2065
400	1,5	400	610	820	1030	1245	1665	2085
	2	535	815	1095	1375	1655	2220	2780
500	1,5	505	765	1030	1300	1560	2090	2620
	2	670	1025	1375	1730	2080	2790	3495
600	1,5	605	925	1245	1560	1880	2515	3155
	2	805	1230	1655	2080	2505	3355	4205
800	1,5	810	1235	1665	2090	2515	3370	4225
	2	1080	1650	2220	2790	3355	4495	5630

## Noise level dB(A)

V m/s		dB(A)
1,5		32/38
2		39/45

### Pressure drop (Pa)

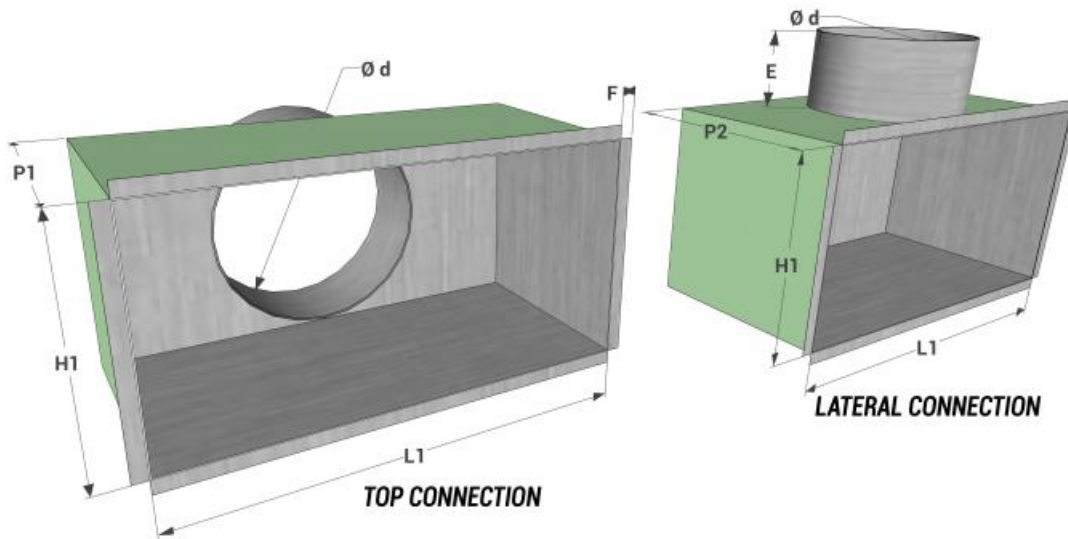
V m/s		Pa
1,5		35/38
2		62/68

### EGA2 - EGA4 SC regulation damper

Galvanised steel regulation damper with blades with opposing movement.



### Plenum



All measurements are expressed in mm.

model L1 x H1	top connection			lateral connection			E	F	model L1 x H1	top connection			lateral connection			E	F
	P1	no. connections	Ø d	P2	no. connections	Ø d				P1	no. connections	Ø d	P2	no. connections	Ø d		
200x200	200	1	198	300	1	198	80	12	500x300	200	1	248	350	1	248	80	12
300x200	200	1	198	300	1	198	80	12	600x300	200	2	198	350	2	248	80	12
400x200	200	1	198	300	1	198	80	12	800x300	200	2	248	350	2	248	80	12
500x200	200	1	198	300	1	198	80	12	1000x300	200	2	248	350	2	248	80	12
600x200	200	2	198	300	2	198	80	12	400x400	200	1	298	350	1	298	80	12
800x200	200	2	198	300	2	198	80	12	500x400	200	1	298	350	1	298	80	12
1000x200	200	2	198	300	2	198	80	12	600x400	200	2	198	350	2	248	80	12
300x300	200	1	248	350	1	248	80	12	800x400	200	2	298	350	2	298	80	12
400x300	200	1	248	350	1	248	80	12	1000x400	200	2	298	400	2	298	80	12

### Price list EGA1

Painted white RAL 9016 +20%.

H	L						
	200	300	400	500	600	800	1000
	euro	euro	euro	euro	euro	euro	
200	▼	▼	▼	▼	▼	▼	▼
300	▼	▼	▼	▼	▼	▼	▼
400	▼	▼	▼	▼	▼	▼	▼
500	▼	▼	▼	▼	▼	▼	▼
600	▼	▼	▼	▼	▼	▼	▼

### Price list EGA3

Painted white RAL 9016 +20%.

H	L						
	200	300	400	500	600	800	1000
	euro	euro	euro	euro	euro	euro	euro
200	▼	▼	▼	▼	▼	▼	▼
300	▼	▼	▼	▼	▼	▼	▼
400	▼	▼	▼	▼	▼	▼	▼
500	▼	▼	▼	▼	▼	▼	▼
600	▼	▼	▼	▼	▼	▼	▼
800	▼	▼	▼	▼	▼	▼	▼

### EGA2 and EGA4 price list on request

### Plenum

Item normally available from stock

dimensions	top connection		lateral connection	
	EPZ galvanized plenum	EPI isolated plenum	EPZ galvanized plenum	EPI isolated plenum
L1xH1	euro	euro	euro	euro
200x200	▼	▼	▼	▼
300x200	▼	▼	▼	▼
400x200	▼	▼	▼	▼
500x200	▼	▼	▼	▼
600x200	▼	▼	▼	▼
800x200	▼	▼	▼	▼
1000x200	▼	▼	▼	▼
300x300	▼	▼	▼	▼
400x300	▼	▼	▼	▼
500x300	▼	▼	▼	▼
600x300	▼	▼	▼	▼
800x300	▼	▼	▼	▼
1000x300	▼	▼	▼	▼
400x400	▼	▼	▼	▼
500x400	▼	▼	▼	▼
600x400	▼	▼	▼	▼
800x400	▼	▼	▼	▼
1000x400	▼	▼	▼	▼