

EBCV Supply air grilles for circular ducts

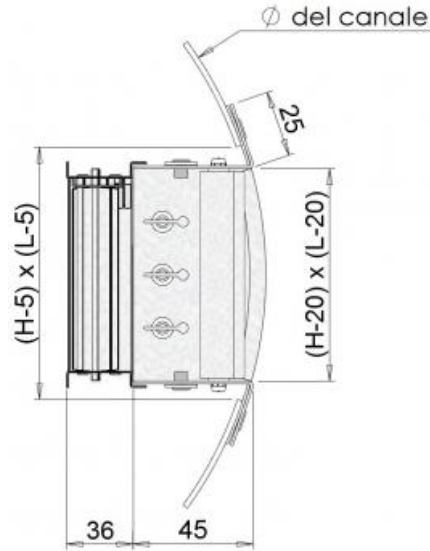


Description

Supply air jets with 1 or 2 rows of individually adjustable blades. The special frame ensures the perfect adherence of the air jet to the circular duct.

Characteristics:

Material: steel
Finish: galvanised
Installation: on circular duct with screws



Use

For air supply with installation directly on circular ducts in ventilation and air conditioning systems.

Models

EBCV-V with 1 row of vertical blades;
EBCV-VO with 2 rows of vertical and horizontal blades.

The VO version has the first vertical row near the front and the second horizontal row inside the air jet.

Accessories

SCB regulation damper with blades with opposing movement.

On request

White RAL9016 painting or other RAL colours.

Operating data

Vk: effective speed (m/s)

m³/h: flow rate

Pa: pressure drops in Pascal

L1 (m): air throw of air jet without damper, with a blade deflection of 0°, with coanda (ceiling) effect, terminal velocity 0.25 m/s and Tmax 15°C

dB(A): noise level

All dimensions are expressed in mm.

When ordering, indicate the diameter of the duct where the air jet will be installed.

dimension LxH	dimensions of duct	effective cross-section	m ³ /h	L1	m ³ /h	L1
		m ²				
300x100	160 - 200 - 250 - 300 - 350 - 400	0,018	140	3,7	230	5,6
400x100	160 - 200 - 250 - 300 - 350 - 400	0,025	200	4,5	320	6,8
500x100	160 - 200 - 250 - 300 - 350 - 400	0,033	260	6	420	8
400x150	250 - 300 - 350 - 400 - 500 - 600 - 700	0,039	310	4,3	500	8
500x150	250 - 300 - 350 - 400 - 500 - 600 - 700	0,051	400	5	640	9
600x150	250 - 300 - 350 - 400 - 500 - 600 - 700	0,059	470	5,8	750	9,5
400x200	350 - 400 - 500 - 600 - 700	0,057	450	6,5	720	9
500x200	350 - 400 - 500 - 600 - 700	0,071	560	7,5	900	10
600x200	350 - 400 - 500 - 600 - 700	0,086	680	10	1080	11
800x200	350 - 400 - 500 - 600 - 700	0,115	910	10,3	1450	13
600x300	600 - 700	0,136	1080	9,6	1730	15
800x300	600 - 700	0,178	1410	10,5	2250	16
Vk (m/s)			2,2		3,5	

Noise level dB(A)

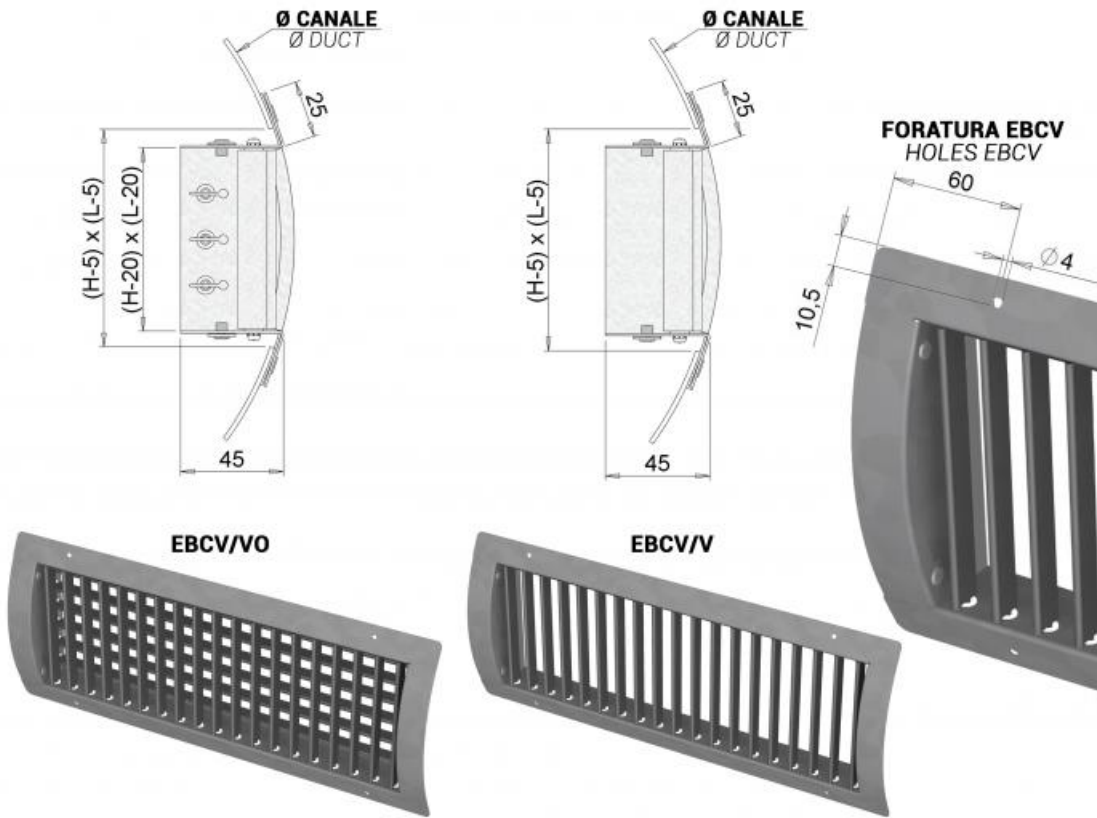
Vk m/s	defl. 0°	defl. 20°	defl. 40°
	dB(A)	dB(A)	dB(A)
2.2	15/20	18/23	20/25
3.5	20/25	23/28	25/30

Pressure drop (Pa)

V m/s	defl. 0°	defl. 20°	defl. 40°
	Pa	Pa	Pa
2.2	4	5,5	7
3.5	9	13	16

Configuration

All measurements are expressed in mm.



SCB calibration damper



Price list

Notes:
 - with SCB damper installed + 5% of the price of the damper

dimensions	Ø duct	grille EBCV-O	grille EBCV-V	grille EBCV-VO	damper SCB
LxH	mm	euro	euro	euro	euro
300x100	160	▼	▼	▼	▼
	200	▼	▼	▼	
	250	▼	▼	▼	
	300	▼	▼	▼	
	350	▼	▼	▼	
	400	▼	▼	▼	
400x100	160	▼	▼	▼	▼
	200	▼	▼	▼	
	250	▼	▼	▼	
	300	▼	▼	▼	
	350	▼	▼	▼	
500x100	160	▼	▼	▼	▼
	200	▼	▼	▼	
	250	▼	▼	▼	
	300	▼	▼	▼	
	350	▼	▼	▼	
400x150	250	▼	▼	▼	▼
	300	▼	▼	▼	
	350	▼	▼	▼	
	400	▼	▼	▼	
	500	▼	▼	▼	
	600	▼	▼	▼	
	700	▼	▼	▼	
500x150	250	▼	▼	▼	▼
	300	▼	▼	▼	
	350	▼	▼	▼	
	400	▼	▼	▼	
	500	▼	▼	▼	
	600	▼	▼	▼	
400x150	250	▼	▼	▼	▼
	300	▼	▼	▼	
	350	▼	▼	▼	
	400	▼	▼	▼	
	500	▼	▼	▼	
	600	▼	▼	▼	
	700	▼	▼	▼	

Notes:
- with SCB damper installed + 5% of the price of the damper

dimensions	Ø duct	grille EBCV-O	grille EBCV-V	grille EBCV-VO	damper SCB
LxH	mm	euro	euro	euro	euro
600x150	250	▼	▼	▼	▼
	300	▼	▼	▼	
	350	▼	▼	▼	
	400	▼	▼	▼	
	500	▼	▼	▼	
	600	▼	▼	▼	
	700	▼	▼	▼	
400x200	350	▼	▼	▼	▼
	400	▼	▼	▼	
	500	▼	▼	▼	
	600	▼	▼	▼	
500x200	350	▼	▼	▼	▼
	400	▼	▼	▼	
	500	▼	▼	▼	
	600	▼	▼	▼	
600x200	350	▼	▼	▼	▼
	400	▼	▼	▼	
	500	▼	▼	▼	
	600	▼	▼	▼	
800x200	350	▼	▼	▼	▼
	400	▼	▼	▼	
	500	▼	▼	▼	
	600	▼	▼	▼	
600x300	600	▼	▼	▼	▼
	700	▼	▼	▼	
800x300	600	▼	▼	▼	▼
	700	▼	▼	▼	