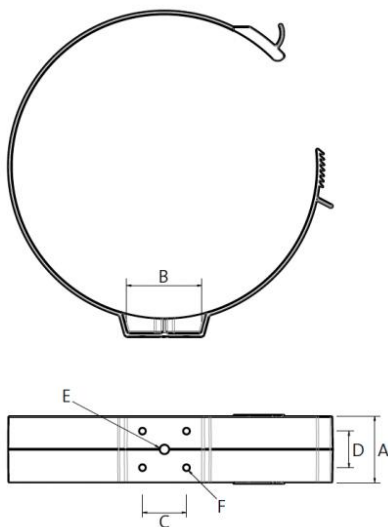


EA20 Wall fixing collars

Description :

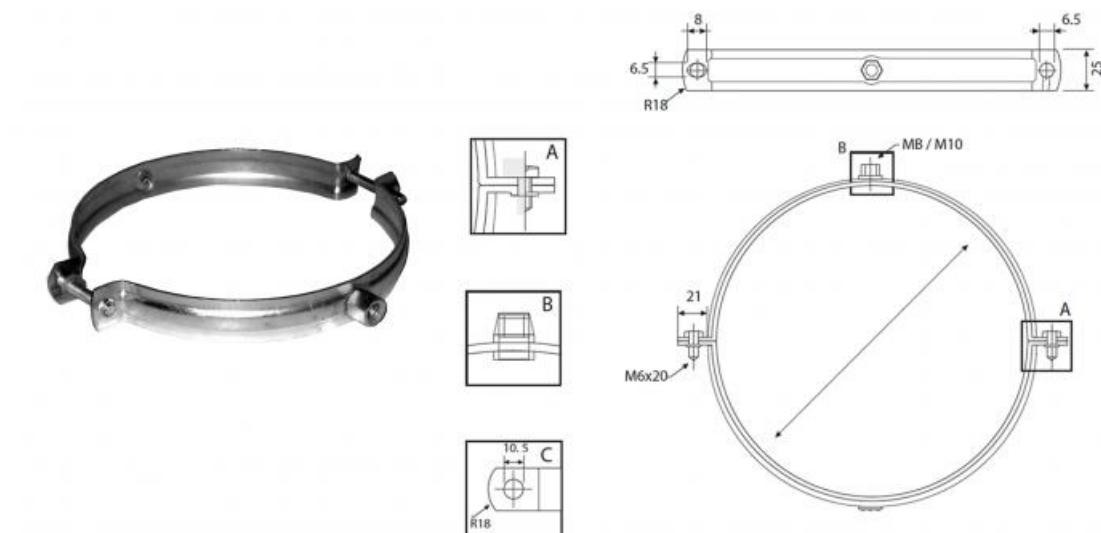
Fixing collars for EA16 duct



Dimensions Ø 125 - 180 mm

INTERNAL diameter (mm)	A (mm)	B (mm)	C (mm)	D (mm)	E (mm)	F (mm)
125	45	50	30	25	M8	Ø 4,5
150	45	50	30	25	M8	Ø 4,5
160	45	50	30	25	M8	Ø 4,5
180	45	50	30	25	M8	Ø 4,5

Dimensions Ø 200 mm



Price list

INTERNAL diameter		euro
mm		
125		✓
150		✓
160		✓
180		✓
200		✓