

CLIMABOXOLD Universal plenum for ducted machines / Compatible with OPAL systems



Description:

Patented universal modular plenum for ducted machines, which can be installed in the supply line to most machines on the market. ClimaBox is composed by a mounting kit including an insulated galvanized sheet box with 2 short side pre-sheared holes, two pre-insulated panels, an adjustable flange in height and length and 3, 4, 5 or 6 collars for duct flex. ClimaBox is available in six different sizes to satisfy the largest possible number of variants on the market. Compatible with OPAL systems.

Characteristics:

Material:

- Structure in insulated galvanized sheet
- Two pre-insulated panels (front and rear)
- 3, 4, 5 or 6 channels collars for duct flex
- PATENTED Extensible flange both in height and in length in galvanized steel.

Video tutorial assembly instructions:



Versions:

The available versions are:

- CLIMABOX-1 Plenum with 3 connections, 3 duct collars male / female, two pre-insulated panels and a small adjustable flange.

- CLIMABOX-2 Plenum with 4 connections, 4 duct collars male / female, two pre-insulated panels and a small adjustable flange.

- CLIMABOX-3 Plenum with 4 connections, 4 duct collars male / female, two pre-insulated panels and a medium adjustable flange.

- CLIMABOX-4 Plenum with 4 connections, 4 duct collars male / female, two pre-insulated panels and a large adjustable flange.

- CLIMABOX-5 Plenum with 5 attachments, 5 duct collars male / female, two pre-insulated panels and a medium adjustable flange.

- CLIMABOX-6 Plenum with 6 attachments, 6 duct collars male / female, two pre-insulated panels and a large adjustable flange.

use:

Installation on ducted machines for air conditioning and heating.

Accessories

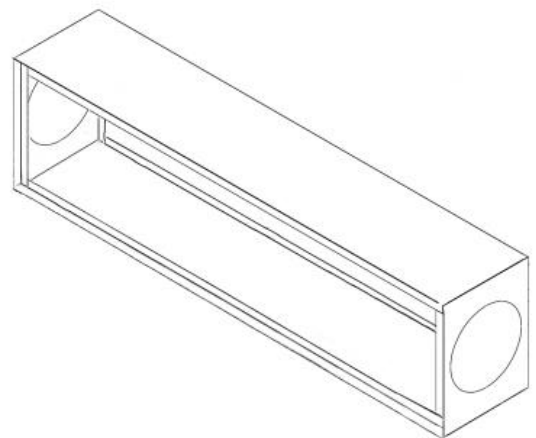
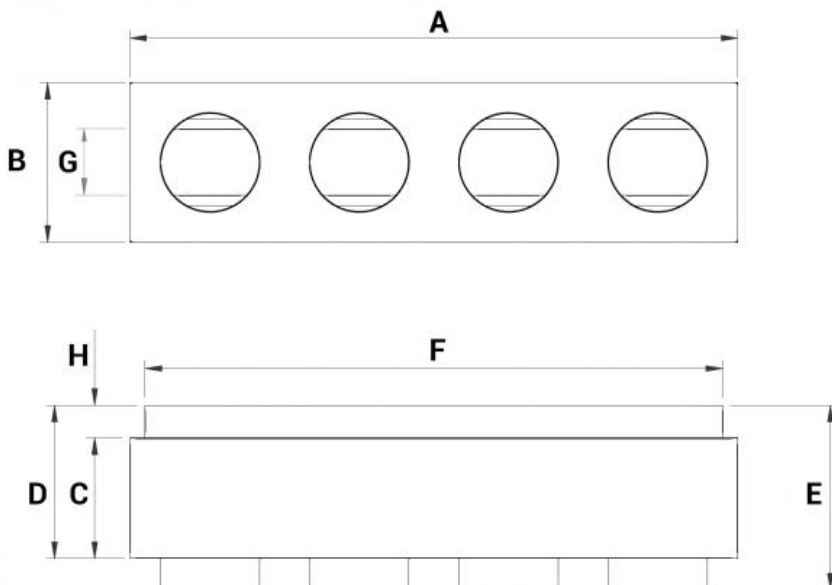
Collar for lateral by-pass of the box diameter 150 mm male / female.

Price and dimensions:

All dimensions are expressed in mm

Models	BOX dimensions					Flange	Extensible flange dimensions				H	Number of adjustable attacks Ø 150 mm	Euro
	A	B	C	D	E		F length		G height				
							min	max	min	max		male or female	
CLIMABOX-1	710	250	240	275	350	Small	400	660	120	200	37	3	▼
CLIMABOX-2	910	250	240	275	350	Small	400	760	120	200	37	4	▼
CLIMABOX-3	910	250	240	275	350	Medium	570	860	120	200	37	4	▼
CLIMABOX-4	910	300	240	275	350	Medium	570	860	145	250	37	4	▼
CLIMABOX-5	1110	250	240	275	350	Large	570	1050	120	200	37	5	▼
CLIMABOX-6	1400	300	240	275	350	Extra large	740	1365	145	250	37	6	▼

EACO PLUS Male / female collar diameter 150 mm (additional for lateral connection)



Special features of the 150 mm diameter collars:

The CLIMABOX supply includes 150 mm diameter collars that can be adjusted by the installer both as a male and as a female coupling. In the case of direct connection to the flexible hose, the collar must be folded into the holes that make the collar diameter narrower, while in the case of installation of the OPAL system dampers it will be necessary to fold the collar back into the holes that make the diameter wider.