

# EVBBN Centrifugal fans for domestic use



## Description

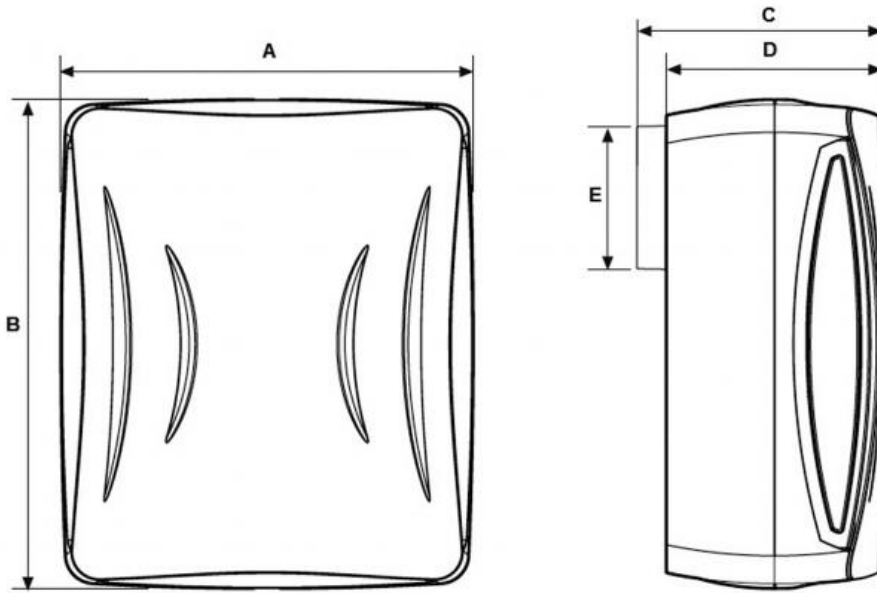
Centrifugal fans with forward blades for wall installation complete with overpressure damper and filter. Double speed single-phase motor, IP44, with automatic reset thermal protection and class II insulation. Maximum operating temperature 40 ° C. The models with timer can prolong the operation for a time of 2, 15 or 30 minutes, or for a time proportionate to the use of the fan (automatic timing); in the timed operation the fan is always at low speed. The HT models, in addition to the timer have a hygrostat which, when exceeding the set relative humidity value (between 60% and 90%), automatically switches from low to high speed.

## Characteristics

Material : Injected plastic.  
 Finish: White.  
 Version S: standard model.  
 T version: with timer.  
 HT versio : model with humidity sensor and timer.  
 Power supply 230 V.

## Use

Centrifugal fan for air renewal in bathrooms and rooms of average sizes.  
 Suitable for wall mounting.



## dimensions

all measurements are in mm

model	A	B	C	D	diameter E
	mm	mm	mm	mm	mm
EVBB-100N	211	268	147	127	98
EVBB-170N	284	337	170	150	98
EVBB-250N	284	337	170	150	98

## Operating data

dB (A) : noise index.

S : basic model.

T : model with timer.

HT : model with humidity sensor and timer.

Le prestazioni di portata aria riportata nella tabella si riferiscono ad una perdita di carico pari a 0 Pa.

Modello	Velocità (r.p.m.)		Potenza assorbita (W)	Tensione (V) 50Hz	Portata aria m3/h	dB(A)	Peso (Kg)
EVBB-100N	ALTA	1500	29	230	110	44	1,8
	BASSA	1040	15	230	70	34	
EVBB-170N	ALTA	1120	48	230	230	43	3
	MEDIA	950	38	230	160	37	
	BASSA	910	31	230	90	34	
EVBB-250N	ALTA	1240	53	230	280	46	3
	MEDIA	990	41	230	210	36	
	BASSA	930	31	230	140	37	

## Price list

Item normally available from stock

model	fan EVBBN
	euro
EVBB-100N S	▼
EVBB-100N T	▼
EVBB-100N HT	▼
EVBB-170N S	▼
EVBB-170N T	▼
EVBB-170N HT	▼
EVBB-250N S	▼
EVBB-250N T	▼
EVBB-250N HT	▼