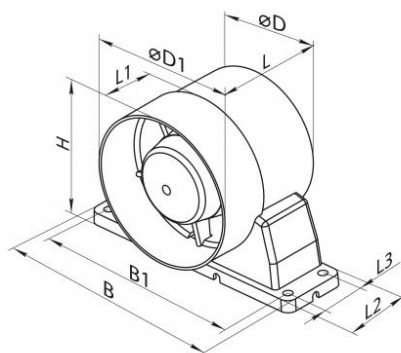


EVVKO K Helicoidal aspirators for plastic tube



Description

Helicoidal aspirators for tube.



Characteristics

Material : ABS.
White color.

Use

Small and medium locals where is necessary an air exchange.

dimensions

all measurements are in mm

model	Ø D	Ø D1	B	B1	H	L	L1	L2	L3
EVVKOK 100	100	104	160	144	114	91	31	45	29
EVVKOK 125	125	129	185	169	139	93	31	45	29
EVVKOK 150	150	154	200	184	163	108	46	45	29

Air flow

Modello	Portata aria m ³ /h											Prevalenza Pa
	20	40	50	60	80	100	120	140	150	200	250	
EVVKOK 100 K	32	26	23	20	12	-	-	-	-	-	-	-
EVVKOK 125 K	52	45	42	40	38	36	35	32	30	-	-	-
EVVKOK 150 K	82	74	70	67	60	55	52	45	43	33	22	-

Operating data and price list

all measurements are in mm

Item normally available from stock

modello	potenza assorbita W	Corrente assorbita	dB(A) a 3 m	peso kg	euro
EVVKOK 100 K	14	0,085	36	0,41	∨
EVVKOK 125 K	16	0,1	38	0,48	∨
EVVKOK 150 K	24	0,13	40	0,80	∨