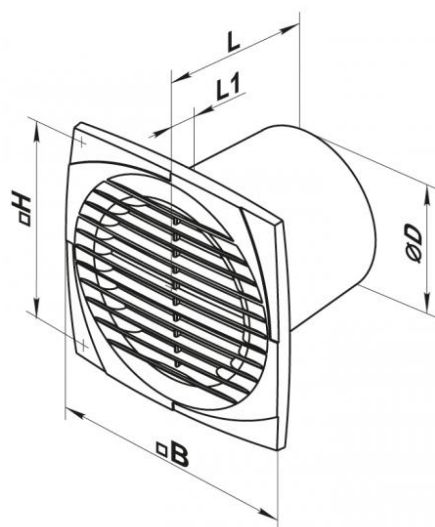


EVD Plastic ultra-thin helicoidal aspirator



Description

Helicoidal aspirator for small rooms with an ultra-flat profile and a very silent seven-blade impeller.



Characteristics

Material : ABS.
Colour: White.
Installation: wall or ceiling.

use

- bathrooms;
- Small rooms typically used where is necessary the air exchange.

dimensions

all measurements are in mm

modello	ØD	B	H	L	L1
EVD 100	100	150	120	108,5	12,5
EVD 125	125	176	140	114	12,5
EVD 150	150	205	165	132	13

Operating data and price list

dB (A) : noise index
T : Timer

Item normally available from stock

modello	potenza assorbita		dB(A) a 3 m	portata $\frac{m^3}{m^2 \cdot h}$	peso kg	euro
	W					
EVD 100	14		34	95	0,58	∨
EVD 100T	14		34	95	0,58	∨
EVD 125	16		35	180	0,74	∨
EVD 125T	16		35	180	0,74	∨
EVD 150	24		38	292	0,92	∨
EVD 150T	24		38	292	0,92	∨