

EVFB Filtering box for circular ducts



Description:

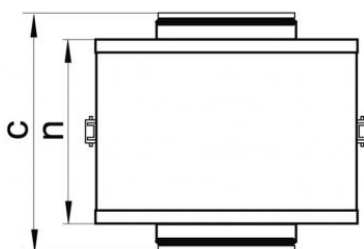
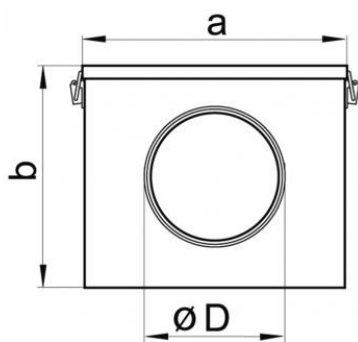
Filtering box for circular ducts with filter COARSE efficiency .

Characteristics:

Material: galvanized steel

Use:

Systems with circular duct where a light filtration is needed.



Dimensions

All dimensions are in millimeters

model	diameter D	distance a	distance b	distance c	distance n	Weight kg	Filter dimension mm
EVFB 100	99	210	175	215	123	1,4	225 x 170
EVFB 125	124	220	209	235	143	1,7	244 x 204
EVFB 150	149	270	237	250	158	2,5	295 x 230
EVFB 200	199	320	279	275	183	3,1	350 x 274
EVFB 250	249	370	327	325	233	4,5	419 x 322
EVFB 315	314	430	392	425	333	6,7	525 x 387

Price list

Item normally available from stock

modello	euro
EVFB 100	▼
EVFB 125	▼
EVFB 150	▼
EVFB 200	▼
EVFB 250	▼
EVFB 315	▼

Spare filter price list:

Item normally available from stock

model	euro
Filter for EVFB 100	▼
Filter for EVFB 125	▼
Filter for EVFB 150	▼
Filter for EVFB 200	▼
Filter for EVFB 250	▼
Filter for EVFB 315	▼