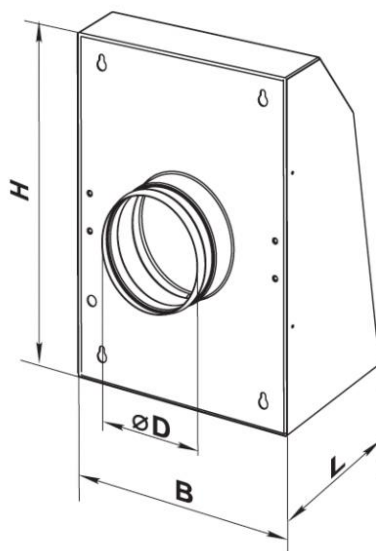


EVVCN Fans for external circular ducts



Description

Fans with external rotor single-phase motor specially designed to be installed outside .



Characteristics

Material : painted steel.
 Colour: Black.
 Installation: Wall.
 Degree of protection : IPX4.

use

- Flow rates from 100 to 710 m³/h;
- Static pressure until 300 Pa.

Accessories

Electronic speed regulator: RCS 300.

dimensions

all measurements are in mm

modello	ØD	H	B	L	peso kg
EVVCN 100	99	355	260	138	3,82
EVVCN 150	149	400	300	138,2	4,53
EVVCN 200	199	400	300	138,2	4,62

Operating data and price list

dB (A) : noise index

modello	giri RPM	alimentazione	potenza assorbita		dB(A) a 3 m	grado di protezione	massima temperatura flusso aria °C
			W	A			
EVVCN 100	2530	230V-1F-50Hz	71	0,31	54	IP X4	55
EVVCN 150	2400	230V-1F-50Hz	96	0,42	58	IP X4	55
EVVCN 200	2515	230V-1F-50Hz	96	0,42	62	IP X4	55

Item normally available from stock

modello	pressione statica Pa				euro
	10	100	200	300	
EVVCN 100	280	240	140	-	∨
EVVCN 150	600	500	310	90	∨
EVVCN 200	710	625	500	200	∨

Speed control

Item normally available from stock

Modello	Euro
RCS 300	∨