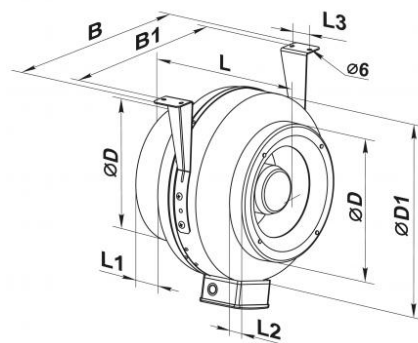


# EVVKM In line fans for circular duct for pressures up to 400 Pa



## Description

Fans for circular ducts with external rotor single-phase motor.



## Characteristics

Material : painted steel.  
Installation: on a circular duct.  
Degree of protection : IPX4.

## use

- Flow rates from 75 to 1,400 m<sup>3</sup>/h;
- Static pressure until 400 Pa.

## Accessories

Electronic speed regulator: RCS 300.

## Dimensions

All dimensions are in mm.

model	ØD	ØD1	B	B1	L	L1	L2	L3	Peso Kg
EVVKM 100	98	255	310	270	205	20	25	30	3,2
EVVKM 125	123	255	310	270	205	20	25	30	3,2
EVVKM 150	149	345	395	355	200	20	20	40	5,1
EVVKM 200	198	345	395	355	255	25	30	40	6,6
EVVKM 250	248	345	395	355	250	25	30	40	8,4
EVVKM 315	314	405	455	415	290	30	30	40	8,8

## Operating data and price list

dB (A) : noise index

Item normally available from stock

modello	giri	potenza assorbita		temperatura aria di trasporto °C min - max	dB(A) a 3m	pressione statica Pa										euro
		W	A			0	50	100	150	200	250	300	400	500		
EVVKM 100	2840	60	0,28	-25 - +45	40	270	260	250	210	180	140	75	-	-	-	∨
EVVKM 125	2840	64	0,29	-25 - +45	40	355	335	320	290	225	150	-	-	-	-	∨
EVVKM 150	2770	91	0,42	-25 - +45	45	550	510	490	430	390	320	220	-	-	-	∨
EVVKM 200	2710	135	0,59	-25 - +45	48	950	890	860	800	700	600	500	300	-	-	∨
EVVKM 250	2790	194	0,85	-25 - +45	50	1310	1240	1200	1100	980	820	700	400	-	-	∨
EVVKM 315	2600	171	0,77	-25 - +45	52	1400	1300	1250	1150	1000	850	750	250	-	-	∨

## Speed control

Item normally available from stock

Modello	Euro
RCS 300	∨