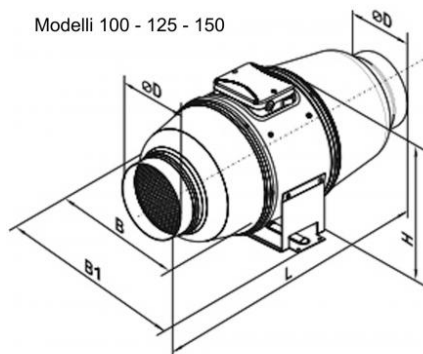




Modelli 100 - 125 - 150



## Description

Fans for circular ducts with acoustic insulation and single-phase motor.

## Characteristics

Painted steel casing.  
Internal perforated sheet.  
Mineral wool insulation thickness 50 mm.  
Protection rating: IPX4.

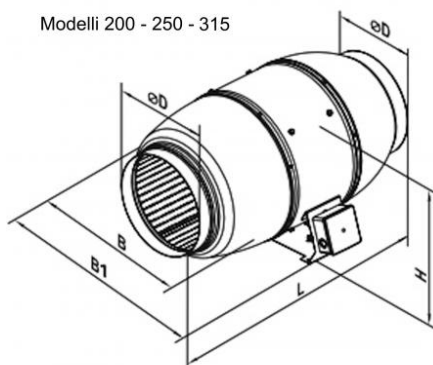
## Use

On circular ducts where it is necessary to limit the noise.

## Accessories

Electronic speed regulator: RCS 300.

Modelli 200 - 250 - 315



## dimensions

all measurements are in mm

modello	dimensioni					peso kg
	Ø D	B	B1	L	H	
100	98	215	243	505	237	4,6
125	123	215	243	474	237	4,6
150	147	247	274	580	260	6,1
200	198	293	386	550	295	8
250	248	358	445	658	360	15
315	313	432	520	780	434	25

## Operating data

dB (A) : noise index to 3 m.

All fans have 2 speeds except the EVTTS 200 model which has 3 speeds.

modello	Velocità	giri	potenza assorbita		°C max	dB(A)	portata m <sup>3</sup> /h								
			W	A			0 Pa	50 Pa	100 Pa	150 Pa	200 Pa	250 Pa	350 Pa	400 Pa	
100	min	2030	24	0,10	60	24	170	110	35						
	max	2630	26	0,11	60	29	240	175	100						
125	min	1650	25	0,11	60	23	230	175	20						
	max	2310	29	0,13	60	28	340	265	120						
150	min	1970	45	0,20	60	26	405	360	280	140					
	max	2645	52	0,23	60	33	550	510	460	375	125				
200	min	2376	82	0,37	60	30	730	590	460	330					
	med	2382	100	0,44	60	34	960	850	740	590	370	140			
	max	2445	110	0,49	60	36	1020	920	810	680	540	360			
250	min	1965	127	0,52	60	34	1050	890	710	590	420	250			
	max	2495	178	0,79	60	38	1330	1220	1120	1020	900	750	400	200	
315	min	1975	213	0,93	60	36	1530	1300	1200	1000	770	600	270	125	
	max	2545	313	1,41	60	40	1950	1800	1700	1550	1480	1300	1030	850	

## Price list

Item normally available from stock	
modello	euro
100	✓
125	✓
150	✓
200	✓
250	✓
315	✓

## Speed control

Item normally available from stock

Modello	Euro
RCS 300	▼