

EVTN - SP Roof fan with horizontal jet " 400°C 2 hours "



Description

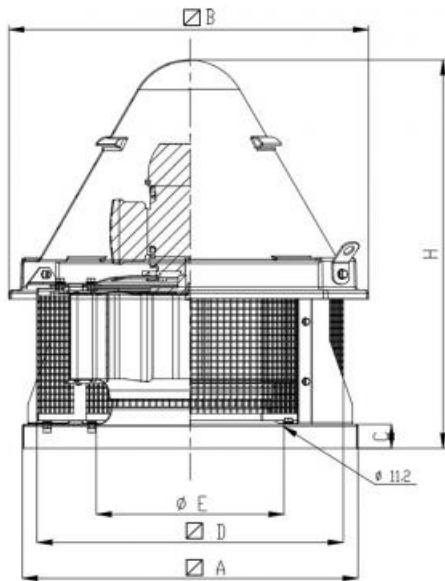
Centrifugal roof extractors with backward curved blades, in galvanized sheet and plastic cap resistant to atmospheric agents.

Characteristics

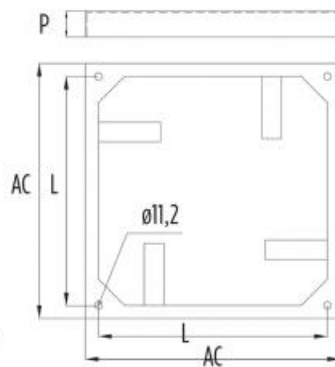
Each roof unit consists of base, upright support plate, network protection, centrifugal impeller with reversed blades made of galvanized steel. Hat ABS protection.

use

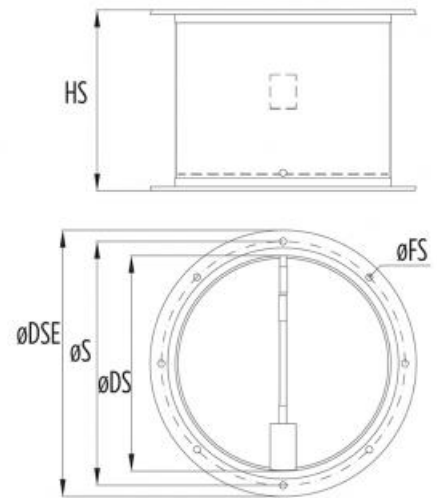
Extracting stale air from kitchens, toilets, warehouses, with max intake air of 80 ° C in continuous service or 400 ° C for 2 hours in case of emergency.



Controbases a murare



Serranda a gravità



dimensions

all measurements are in mm

modello EVTN-SP	A	B	C	D	ØE	H	kg
20	400	470	40	350	250	520	20
30	560	595	40	460	300	650	28
40	560	595	40	460	350	650	34
50	710	800	40	610	400	700	45
60	710	800	40	610	450	700	54
70	900	1000	40	800	500	880	63
80	900	1000	45	800	550	910	85
90	900	1000	45	800	600	940	105
100	900	1000	45	800	600	960	120

dimensions accessories

all measurements are in mm

modello	controbases a murare			serranda a gravità				
	AC	L	P	ØDS	ØS	ØDSE	ØFS	HS
20	390	350	40	250	283	309	3x8M	210
30	550	460	40	300	330	359	3x8M	210
40	550	460	40	350	381	409	4x8M	230
50	700	610	40	400	431	460	4x8M	250
60	700	610	40	450	485	510	5x8M	300
70	890	800	40	500	533	560	5x8M	300
80	890	800	45	550	585	620	6x8M	320
90	890	800	45	600	636	661	7x8M	320
100	890	800	45	600	636	661	7x8M	320

Operating data

P4 : 4-pole motor

P6 : 6-pole motor

P8 : 8 pole motor

LP: Potenza Sonora [dB(A)]. Livello di pressione sonora alla distanza di 5 mt. con macchina appoggiata su un piano orizzontale in campo libero.

modello	velocità giri/1°	potenza kW	portata m ³ /h										LP dB (A)		
			10 Pa	50 Pa	100 Pa	150 Pa	200 Pa	250 Pa	300 Pa	400 Pa	500 Pa	600 Pa			
20 P4	1400	0.18	1800	1650	1500	1300	1100	800							58
20 P6	900	0.09	1200	900	520										49
20 P4/6	1400/900	0.25/0.07	1200/1800	900/1750	550/1500	-/1250	-/1100	-/800							58/49
30 P4	1400	0.25	3050	2800	2700	2400	2300	1700	1400						61
30 P6	900	0.18	1900	1650	1250	600									51
30 P8	700	0.12	1350	1050											49
30 P4/6	1400/900	0.26/0.09	1900/3100	1650/2700	1200/2600	600/2350	-/2200	-/1800	-/1400						61/51
40 P4	1400	0.37	4050	3800	3600	3400	3050	2800	2500	1600					62
40 P6	900	0.18	2600	2250	1700	1250									52
40 P8	700	0.12	1530	1180											50
40 P4/6	1400/900	0.55/0.18	2600/4050	2200/3800	1900/3600	1200/3400	-/3100	-/2800	-/2500	-/1600					62/52
50 P4	1400	0.75	5600	5500	5300	4800	4700	4300	3900	3000	1900				67
50 P6	900	0.37	3600	3400	2700	2200	1400								57
50 P8	700	0.18	2320	1900	1400										55
50 P4/6	1400/900	0.75/0.25	3600/5700	3500/5500	2800/5200	2300/4800	1300/4400	-/4200	-/3900	-/3000	-/1900				67/57
50 P6/8	900/700	0.37/0.15	2800/3600	2200/3300	1500/2700	-/2100	-/1400								57/55
60 P4	1400	1.5	8100	7900	7700	7100	7000	6600	6300	5300	4400	2900			70
60 P6	900	0.37	5200	4800	4400	3600	2900	1600							59
60 P8	700	0.18	3900	3500	2700	1200									54
60 P4/6	1400/900	1.1/0.37	5000/8100	4800/7800	4300/7600	3500/7300	3000/7100	1100/6600	-/6300	-/5200	-/4200	-/2700			70/59
60 P6/8	900/700	0.37/0.15	4000/5200	3500/5800	2600/4300	1200/3600	-/2900	-/1600							59/54
70 P6	900	0.75	7000	6800	6100	5700	5200	4200	3600						63
70 P8	700	0.37	5400	4900	4200	3600	2200								56
70 P6/8	900/700	0.66/0.33	7000/5400	6800/4900	6100/4200	5700/3600	-/2200								63/56
80 P6	900	1.1	11000	10500	9500	9000	8500	7200	6800	4700					67
80 P8	700	0.55	8500	7700	7000	5800	4800	3200							59
80 P6/8	900/700	1.4/0.6	8300/11000	7600/10200	6900/9700	5800/9000	4800/8200	3000/7200	-/6600	-/4500					67/59
90 P6	900	2.2	14000	13500	13000	12500	12000	10000	8800	7500	4500				72
90 P8	700	1.1	10800	10000	9000	8000	6800	5200	3600						63
90 P6/8	900/700	1.84/0.81	10800/13800	10000/13000	8800/12500	7500/12000	7000/11500	5000/10500	4500 / 9000	-/7500	-/4000				72/63
100 P6	900	3	18000	17500	17000	16500	15500	14000	13000	12000	7000	6500			76
100 P8	700	2.2	14000	13500	13000	11500	10000	8500	7000						66
100 P6/8	900/700	3/1.5	14000/18000	13000/17500	12500/17000	11500/16500	10000/16000	7500/14000	7000/13000	-/12000	-/8500	-/6500			76/66

Speed control:

Item normally available from stock			
modello	potenza kW	Tipo regolatore	Euro
20 P4 M	0,18	Regolatore digitale	✓
20 P4 T	0,18	Inverter	✓
20 P6 T	0,09	Inverter	✓
20 P4/6 T	0,26 / 0,09	Selettore 2 velocità	✓
30 P4 M	0,25	Regolatore digitale	✓
30 P4 T	0,25	Inverter	✓
30 P6 T	0,18	Inverter	✓
30 P8 T	0,12	Inverter	✓
30 P4/6 T	0,26 / 0,09	Selettore 2 velocità	✓
40 P4 M	0,37	Regolatore digitale	✓
40 P4 T	0,37	Inverter	✓
40 P6 T	0,18	Inverter	✓
40 P8 T	0,12	Inverter	✓
40 P4/6 T	0,55 / 0,18	Selettore 2 velocità	✓
50 P4 M	0,75	Regolatore digitale	✓
50 P4 T	0,75	Inverter	✓
50 P6 T	0,37	Inverter	✓
50 P8 T	0,18	Inverter	✓
50 P4/6 T	0,75 / 0,25	Selettore 2 velocità	✓
50 P6/8 T	0,37 / 0,15	Selettore 2 velocità	✓
60 P4 T	1,5	Inverter	✓
60 P6 T	0,37	Inverter	✓
60 P8 T	0,18	Inverter	✓
60 P4/6 T	1,1 / 0,37	Selettore 2 velocità	✓
60 P6/8 T	0,37 / 0,15	Selettore 2 velocità	✓
70 P4 T	2,2	Inverter	✓
70 P6 T	0,75	Inverter	✓
70 P8 T	0,37	Inverter	✓
70 P4/6 T	2,2 / 0,75	Non disponibile	-
70 P6/8 T	1,25 / 0,60	Selettore 2 velocità	✓
80 P6 T	1,1	Inverter	✓
80 P8 T	0,55	Inverter	✓
80 P6/8 T	1,25 / 0,60	Selettore 2 velocità	✓
90 P6 T	2,2	Inverter	✓
90 P8 T	1,1	Inverter	✓
90 P6/8 T	1,84 / 0,81	Non disponibile	-
100 P6 T	3	Inverter	✓
100 P8 T	2,2	Inverter	✓
100 P6/8 T	3 / 1,5	Non disponibile	-

Price list

modello	trifase EVTN-SP	monofase EVTN-SP
	euro	euro
20 P4	▼	▼
20 P6	▼	
20 P4/6	▼	
30 P4	▼	▼
30 P6	▼	
30 P8	▼	
30 P4/6	▼	
40 P4	▼	▼
40 P6	▼	
40 P8	▼	
40 P4/6	▼	
50 P4	▼	▼
50 P6	▼	
50 P8	▼	
50 P4/6	▼	
50 P6/8	▼	
60 P4	▼	
60 P6	▼	
60 P8	▼	
60 P4/6	▼	
60 P6/8	▼	
70 P6	▼	
70 P8	▼	
70 P6/8	▼	
80 P6	▼	
80 P8	▼	
80 P6/8	▼	
90 P6	▼	
90 P8	▼	
90 P6/8	▼	
100 P6	▼	
100 P8	▼	
100 P6/8	▼	

Accessories:

Modello	Serranda di gravità	Controbasse a murare
20	▼	▼
30	▼	▼
40	▼	▼
50	▼	▼
60	▼	▼
70	▼	▼
80	▼	▼
90-100	▼	▼
110-120	▼	▼