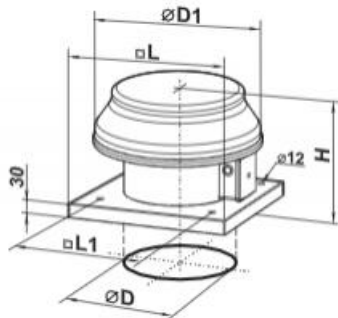


# EVVOK1 Roof jet extractor



## Description:

Extractors roof jet with external rotor mono-phase motor.



## Characteristics:

Material: painted steel  
 Colour: Black  
 Installation: Roof  
 Degree of protection: IPX4

## use:

- Air flow rates from 120 to 1700 m<sup>3</sup>/h  
 - Static pressure up to 100 Pa

## Accessories :

Electronic speed regulator RCS 300 .

## dimensions

all measurements are in mm

modell	Dimension (mm)					Weight Kg
	diameter D	diameter D1	H	L	L1	
EVVOK1 200	208	345	280	425	330	6,1
EVVOK1 250	262	405	300	425	330	7,2
EVVOK1 315	314	555	380	585	450	11,5

## Operating data and price list

dB (A) : noise index

modello	giri	potenza assorbita		°C max	dB(A) a 3 m	pressione statica Pa				euro
		W	A			0	50	80	100	
EVVOK1 200	1300	43	0,28	50	32	405	120	-	-	∨
EVVOK1 250	1300	68	0,48	50	48	1070	480	120	-	∨
EVVOK1 315	1300	110	0,75	50	54	1700	1300	700	400	∨

## Speed control

Item normally available from stock

Model	Euro
RCS 300	∨