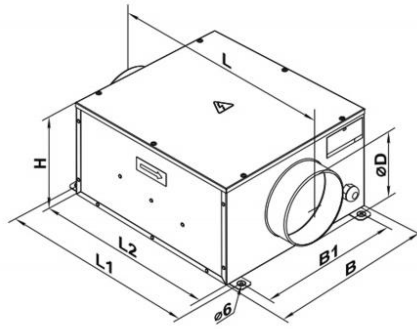


EVKSB Inline fan box



Description

Fan box with circular spigots with diameter from 100 to 315 mm and adjustable external 230V rotor motor.



Characteristics

Galvanized steel structure, insulated inside with a sound absorbing mat.

use

Outlet and inlet of clean air or lightly dust .
Flow rates from 50 to 2150 m³/h and pressures up to 400 Pa .

Accessories

Speed regulators RCS 300 .

Operating data

modello	alimentazione	potenza W	assorbimento A	Grado di protezione	temperatura flusso aria		dB(A) a 3mt	giri
					minima °C	massima °C		
100	230V-1F-50Hz	73	0,32	IPX4	-25	+55	33	2560
125	230V-1F-50Hz	73	0,32	IPX4	-25	+55	35	2590
150	230V-1F-50Hz	72	0,32	IPX4	-25	+55	36	2600
160	230V-1F-50Hz	75	0,33	IPX4	-25	+55	36	2690
200	230V-1F-50Hz	103	0,45	IPX4	-25	+55	38	2550
200S	230V-1F-50Hz	195	0,85	IPX4	-25	+55	41	2570
250	230V-1F-50Hz	198	0,87	IPX4	-25	+55	41	2420
315	230V-1F-50Hz	322	1,4	IPX4	-25	+55	43	2670

modello	portata m ³ /h							
	0 Pa	50 Pa	100 Pa	150 Pa	200 Pa	250 Pa	300 Pa	400 Pa
100	240	225	200	175	140	80		
125	330	320	300	250	190	110		
150	420	400	375	310	240	150		
160	420	400	375	310	240	150		
200	730	710	650	500	310	200	100	
200S	950	940	900	850	750	600	480	200
250	1300	1280	1200	1100	950	800	600	260
315	2150	2100	2000	1850	1700	1500	1250	800

dimensions

all measurements are in mm

modello	dimensioni							peso
	ØD	B	B1	H	L	L1	L2	
100	99	322	280	192	447	380	350	5,4
125	124	322	280	192	447	380	350	5,4
150	149	352	310	212	477	410	380	6,4
160	159	352	310	212	477	410	380	6,4
200	199	432	368	287	588	506	480	10
200 S	199	432	368	287	588	506	480	12
250	249	432	368	287	588	506	480	12,5
315	314	502	438	397	648	566	540	15,5

Price list

Item normally available from stock	
modello EV KSB	euro
100	▼
125	▼
150	▼
160	▼
200	▼
200S	▼
250	▼
315	▼

Speed control

Item normally available from stock	

Model	Euro
RCS 300	▼