

OPAL Multi-zone proportional control system up to 5 zones



OPAL control unit C210 / RF1-D

Control unit with radio communication device. It controls up to 5 ambient thermostats and includes the regulator of the by-pass damper.

Thermostat OPAL RF PRO 680

Proportional electronic room thermostat, with radio communication, complete with damper motor and 3 meter long RJ45 connection cable.

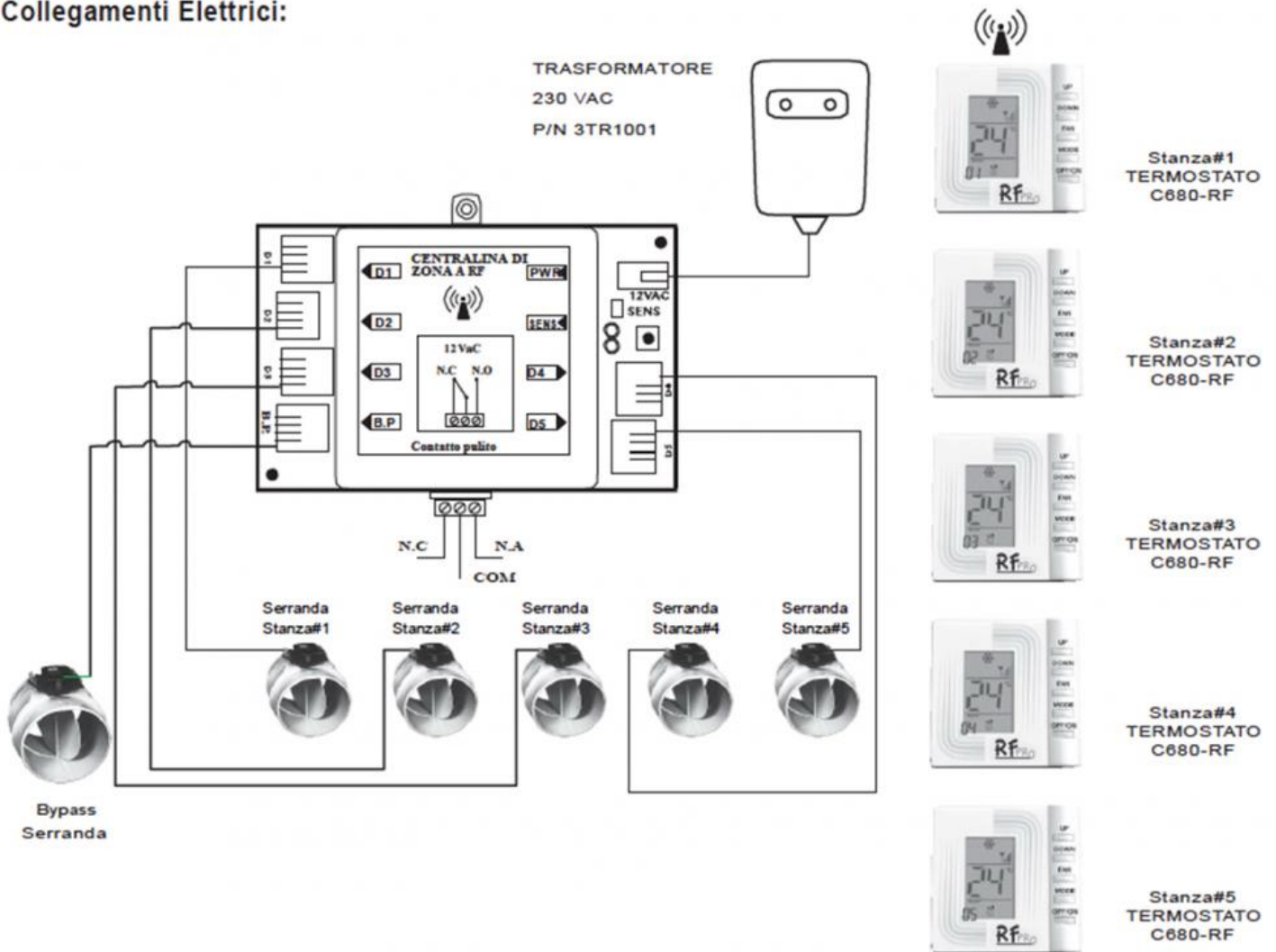
Motor C210-BP

Modulating motor for by-pass damper, complete with cable RJ11 (6 m long).

Damper

Damper in ABS for OPAL system.

Collegamenti Elettrici:



Price list

Item normally available from stock

model	euro
OPAL C210 / RF1-D: control unit with radio communication complete with a power supply unit	▼
OPAL RF PRO 680: electronic module	▼
OPAL C210-BP: motor for BY - PASS damper	▼
OPAL SERR 150: damper diameter 150 mm	▼
OPAL SERR 200: damper diameter 200 mm	▼

kit price list:

Item normally available from stock			
Number of zones	Kit composition description	Quantity	Euro
KIT OPAL 3 ZONE	OPAL C210/RF1-D W/PS230	1	
	OPAL RF PRO 680	3	
	OPAL MODULAR ABS DAMPER D.150	4	▼
	C210-BP MOTOR FOR MODULAR BY-PASS DAMPERPROVIDED WITH RJ11 CABLE (6m)	1	
KIT OPAL 4 ZONE	OPAL C210/RF1-D W/PS230	1	
	OPAL RF PRO 680	4	
	OPAL MODULAR ABS DAMPER D.150	5	▼
	C210-BP MOTOR FOR MODULAR BY-PASS DAMPERPROVIDED WITH RJ11 CABLE (6m)	1	
KIT OPAL 5 ZONE	OPAL C210/RF1-D W/PS230	1	
	OPAL RF PRO 680	5	
	OPAL MODULAR ABS DAMPER D.150	6	▼
	C210-BP MOTOR FOR MODULAR BY-PASS DAMPERPROVIDED WITH RJ11 CABLE (6m)	1	