

# ES100 Aluminium wall overpressure dampers 100 mm pitch



## Description

Overpressure dampers are used to automatically exclude circuits in ventilation and air conditioning systems.

## Features

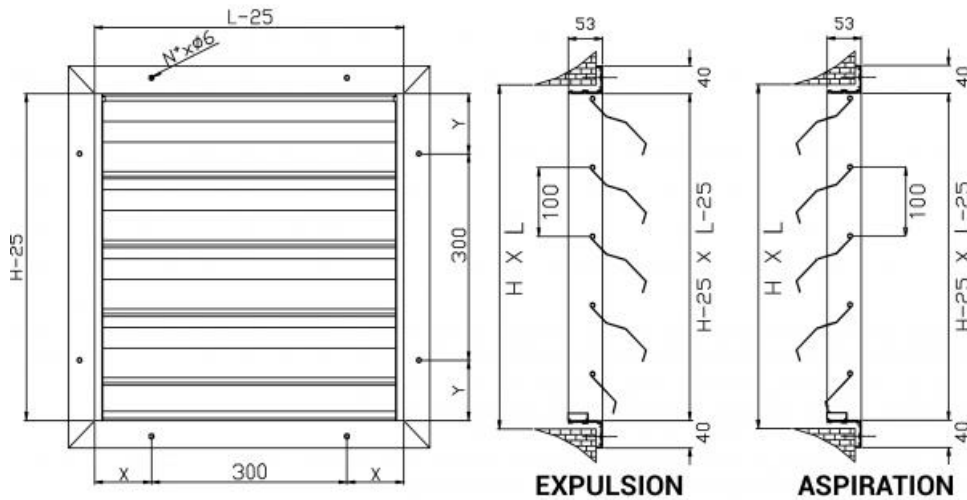
- Anodised extruded aluminium frame;
- natural aluminium blades;
- blade pitch 100 mm;
- nylon bushings and pins;
- anodised extruded aluminium lower stop and neoprene upper stop;
- anodised extruded aluminium lateral profiles to make the damper reversible;
- longitudinal adhesive seal on the blades;
- pressure drop tests performed in accordance with UNI CTI 8728.

## On request

- Bird mesh;
- exhaust version;
- simultaneous blades.

## Use

Installed outside buildings to expel air.



## Dimensions Y

Height H	Y	No. Ø 6 mm (holes per side)
200	87,5	1
300	137,7	1
400	37,5	2
500	87,5	2
600	137,5	2
800	87,5	3
1000	37,5	4

## Dimensions X

Length L	X	No. Ø 6 mm (holes per side)
200	87,5	1
300	137,7	1
400	37,5	2
500	87,5	2
600	137,5	2
700	37,5	3
800	87,5	3
1000	37,5	4

## Pressure drops

V: speed referring to the cross-section (L-25)x(H-25) [m/s]

Δpt: total pressure drop [Pa]

\*: operation not guaranteed

V [m/s]	$\Delta p_t$ [Pa]
1	12
2	18
3	23
4	28
5	34
6	48
7*	65
8*	88
9*	110
10*	140

### Price list

H	L							
	200	300	400	500	600	700	800	1000
	euro	euro	euro	euro	euro			
200	∨	∨	∨	∨	∨	∨	∨	∨
300	∨	∨	∨	∨	∨	∨	∨	∨
400	∨	∨	∨	∨	∨	∨	∨	∨
500	∨	∨	∨	∨	∨	∨	∨	∨
600	∨	∨	∨	∨	∨	∨	∨	∨
800	∨	∨	∨	∨	∨	∨	∨	∨
1000	∨	∨	∨	∨	∨	∨	∨	∨