

EBLS Linear grilles with horizontal fixed bars with 15 mm frame

Description

Air jets with horizontal aluminium fixed bars with 0° or 15° deflection with 15 mm frame.

Characteristics

Material: aluminium.
Finish: natural anodised.
Installation: magnet fastening.

Use

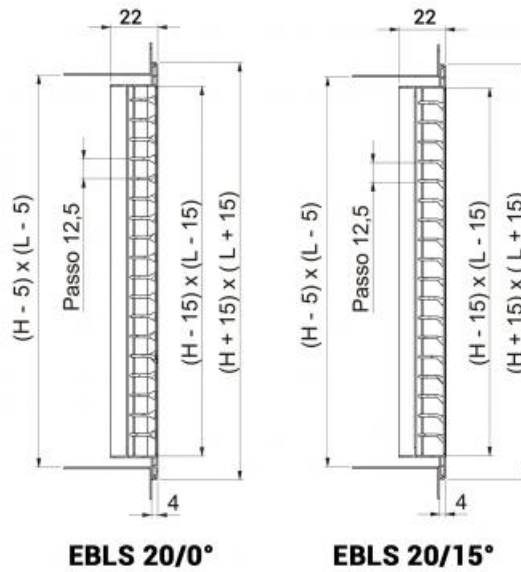
For air conditioning and ventilation systems, for wall installation, for fan coils, for floor installation (not walkable), for both supply and exhaust.

Accessories

- EPZS galvanised plenum;
- EPIS insulated plenum;
- SC galvanised steel regulation damper with blades with opposing movement.

On request

White RAL9016 painting or other RAL colours.



Operating data

Vk: effective speed (m/s)

m³/h: flow rate

Pa: pressure drops in Pascal

L1 (m): air throw referring to a terminal velocity Vt= 0.25 m/s and with a temperature differential of 10/12°C, installed near the ceiling (not beyond 3 m); for greater distances, correct the air throw by multiplying it by 0.7

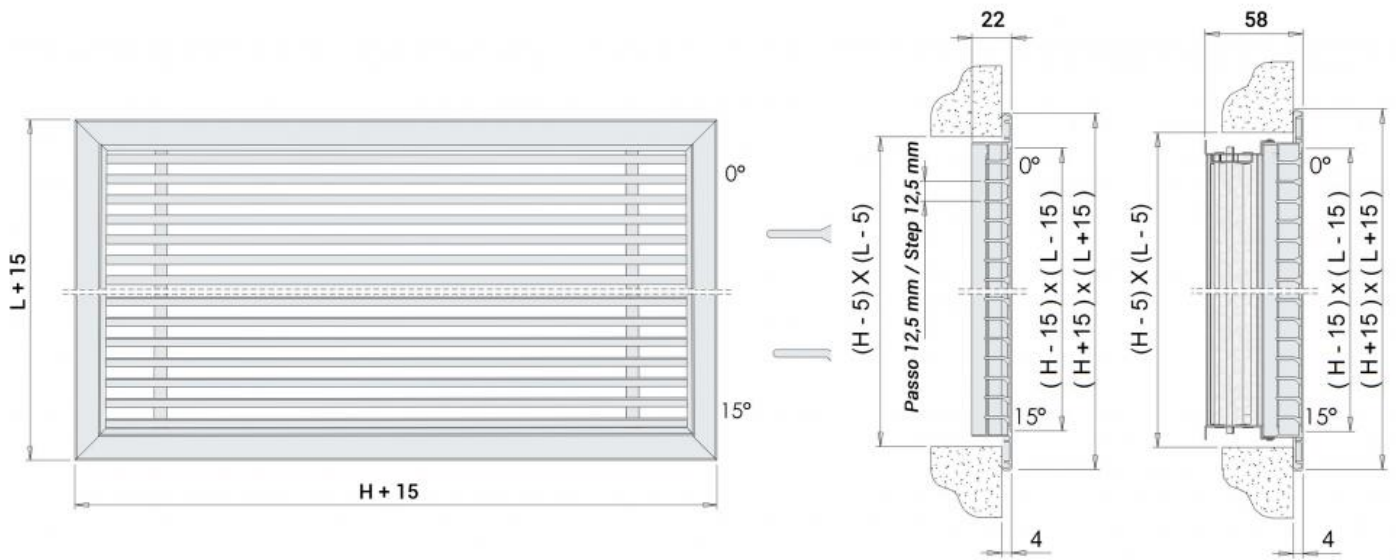
dB(A): noise level

All dimensions are expressed in mm.

| dimensions LxH | effective cross-section m ² | Vk 3 m/s | | Vk 4 m/s | | Vk 5 m/s | |
|----------------|---|-------------------|-----|-------------------|-----|-------------------|-----|
| | | m ³ /h | L1 | m ³ /h | L1 | m ³ /h | L1 |
| 400x75 | 0,015 | 160 | 2,8 | 213 | 3,8 | 266 | 4,7 |
| 500x75 | 0,019 | 201 | 3 | 268 | 3,9 | 335 | 4,9 |
| 600x75 | 0,022 | 243 | 3,1 | 323 | 4,1 | 404 | 5,1 |
| 400x100 | 0,020 | 216 | 2,9 | 292 | 3,8 | 365 | 4,8 |
| 500x100 | 0,026 | 276 | 3 | 367 | 4 | 459 | 5 |
| 600x100 | 0,031 | 332 | 3,1 | 443 | 4,2 | 554 | 5,2 |
| 400x125 | 0,026 | 278 | 2,9 | 370 | 3,9 | 463 | 4,9 |
| 500x125 | 0,032 | 350 | 3,1 | 467 | 4,1 | 583 | 5,1 |
| 600x125 | 0,039 | 422 | 3,2 | 563 | 4,2 | 703 | 5,3 |
| 400x150 | 0,031 | 337 | 3 | 449 | 4 | 561 | 5 |
| 500x150 | 0,039 | 424 | 3,1 | 566 | 4,2 | 707 | 5,2 |
| 600x150 | 0,047 | 512 | 3,4 | 682 | 4,3 | 853 | 5,4 |
| 400x200 | 0,042 | 455 | 3,3 | 607 | 4,2 | 758 | 5,2 |
| 500x200 | 0,053 | 573 | 3,4 | 764 | 4,4 | 955 | 5,4 |
| 600x200 | 0,064 | 691 | 3,6 | 922 | 4,5 | 1152 | 5,6 |
| Pa | | 5 | | 10 | | 15 | |
| dB(A) | | 25 / 32 | | 33 / 39 | | 38 / 44 | |

Configuration

All measurements are expressed in mm

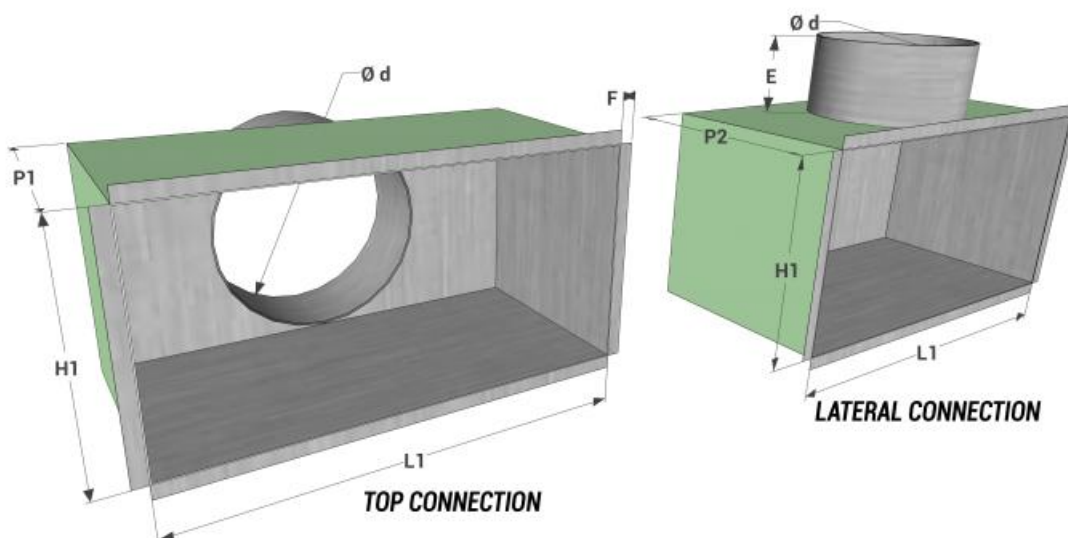


SC regulation damper

Galvanised steel regulation damper with blades with opposing movement.



Plenum



All dimensions are expressed in mm.

| model EBLS | dimensions L x H | top connection | | | lateral connection | | | E | F |
|------------|---------------------|----------------|-----------------|-----|--------------------|-----------------|-----|----|---|
| | | P1 | no. connections | Ø d | P2 | no. connections | Ø d | | |
| 400x75 | 395x70 | - | - | - | 150 | 2 | 95 | 80 | 8 |
| 500x75 | 495x70 | - | - | - | 150 | 2 | 95 | 80 | 8 |
| 600x75 | 595x70 | - | - | - | 150 | 2 | 95 | 80 | 8 |
| 400x100 | 395x95 | 200 | 2 | 95 | 200 | 2 | 95 | 80 | 8 |
| 500x100 | 495x95 | 200 | 2 | 95 | 200 | 2 | 95 | 80 | 8 |
| 600x100 | 595x95 | 200 | 2 | 95 | 200 | 2 | 95 | 80 | 8 |
| 400x125 | 395x120 | 200 | 1 | 120 | 230 | 1 | 120 | 80 | 8 |
| 500x125 | 495x120 | 200 | 2 | 120 | 230 | 2 | 120 | 80 | 8 |
| 600x125 | 595x120 | 200 | 2 | 120 | 230 | 2 | 120 | 80 | 8 |
| 400x150 | 395x145 | 200 | 1 | 145 | 250 | 1 | 145 | 80 | 8 |
| 500x150 | 495x145 | 200 | 2 | 145 | 250 | 2 | 145 | 80 | 8 |
| 600x150 | 595x145 | 200 | 2 | 145 | 250 | 2 | 145 | 80 | 8 |
| 400x200 | 395x195 | 200 | 1 | 195 | 300 | 1 | 195 | 80 | 8 |
| 500x200 | 495x195 | 200 | 2 | 195 | 300 | 2 | 195 | 80 | 8 |
| 600x200 | 595x195 | 200 | 2 | 195 | 300 | 2 | 195 | 80 | 8 |

Price list

Note: painted white RAL 9016 + 20%

EBLS20: with fixed bars

0°: 0° deflection

15°: 15° deflection

| dimensions LxH | air jets EBLS 20/0° euro | air jets EBLS 20/15° euro |
|-------------------|-----------------------------|------------------------------|
| 400x75 | ▼ | ▼ |
| 500x75 | ▼ | ▼ |
| 600x75 | ▼ | ▼ |
| 400x100 | ▼ | ▼ |
| 500x100 | ▼ | ▼ |
| 600x100 | ▼ | ▼ |
| 400x125 | ▼ | ▼ |
| 500x125 | ▼ | ▼ |
| 600x125 | ▼ | ▼ |
| 400x150 | ▼ | ▼ |
| 500x150 | ▼ | ▼ |
| 600x150 | ▼ | ▼ |
| 400x200 | ▼ | ▼ |
| 500x200 | ▼ | ▼ |
| 600x200 | ▼ | ▼ |

Accessories

All dimensions are expressed in mm.

| Item normally available from stock | | | | | | |
|------------------------------------|----------------------------|--------------------------------|------------------------------|--------------------------------|------------------------------|-------------------|
| EBLS dimensions LxH | plenum dimensions L1xH1 | top connection | | lateral connection | | damper SC euro |
| | | EPZS galvanized plenum euro | EPIS isolated plenum euro | EPZS galvanized plenum euro | EPIS isolated plenum euro | |
| 400x75 | 395x70 | - | - | ▼ | ▼ | ▼ |
| 500x75 | 495x70 | - | - | ▼ | ▼ | ▼ |
| 600x75 | 595x70 | - | - | ▼ | ▼ | ▼ |
| 400x100 | 395x95 | ▼ | ▼ | ▼ | ▼ | ▼ |
| 500x100 | 495x95 | ▼ | ▼ | ▼ | ▼ | ▼ |
| 600x100 | 595x95 | ▼ | ▼ | ▼ | ▼ | ▼ |
| 400x125 | 395x120 | ▼ | ▼ | ▼ | ▼ | ▼ |
| 500x125 | 495x120 | ▼ | ▼ | ▼ | ▼ | ▼ |
| 600x125 | 595x120 | ▼ | ▼ | ▼ | ▼ | ▼ |
| 400x150 | 395x145 | ▼ | ▼ | ▼ | ▼ | ▼ |
| 500x150 | 495x145 | ▼ | ▼ | ▼ | ▼ | ▼ |
| 600x150 | 595x145 | ▼ | ▼ | ▼ | ▼ | ▼ |
| 400x200 | 395x195 | ▼ | ▼ | ▼ | ▼ | ▼ |
| 500x200 | 495x195 | ▼ | ▼ | ▼ | ▼ | ▼ |
| 600x200 | 595x195 | ▼ | ▼ | ▼ | ▼ | ▼ |