

LINEAR GRILLES WITH HORIZONTAL FIXED BARS WITH 15 mm FRAME



Serie EBLR

Air jets with horizontal aluminium fixed bars with 0° or 15° deflection with 15 mm frame.

CHARACTERISTICS

Material: aluminium.
Finish: natural anodised.
Installation: magnet fastening.

USE

For air conditioning and ventilation systems, for wall installation, for fan coils, for floor installation (not walkable), for both supply and exhaust.

MODELS

EBLR 20/0°: Air jets with horizontal aluminium fixed bars with 0° deflection with 15 mm frame;

EBLR 20/15°: Air jets with horizontal aluminium fixed bars with 15° deflection with 15 mm frame;

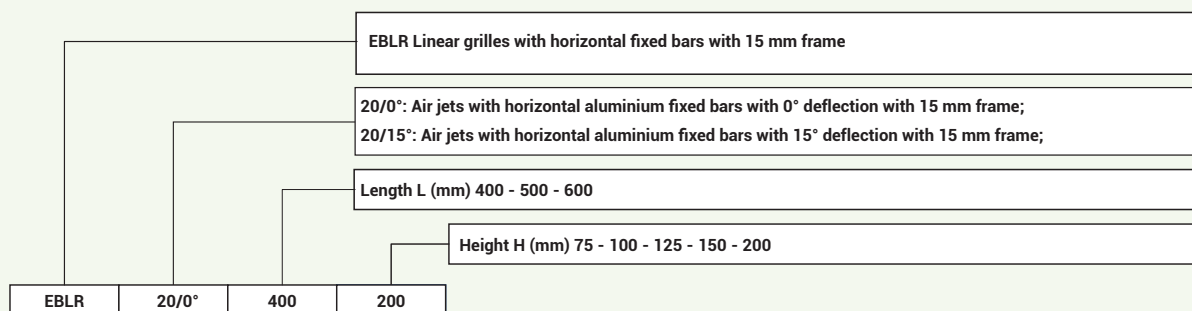
ACCESSORIES

- EPZS galvanised plenum;
- EPIS insulated plenum;
- SC galvanised steel regulation damper with blades with opposing movement.

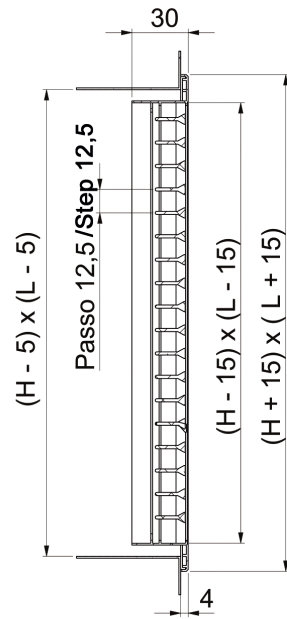
ON DEMAND

White RAL9016 painting or other RAL colours.

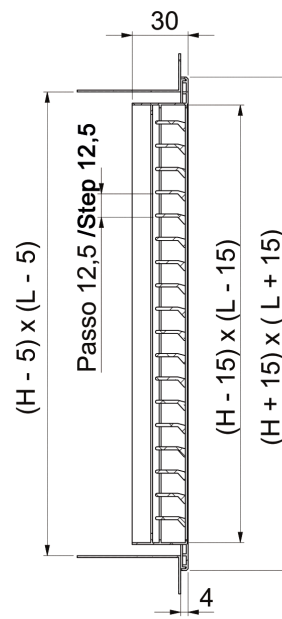
CODE



EBLR 20/0° - 20/15° DIMENSIONS

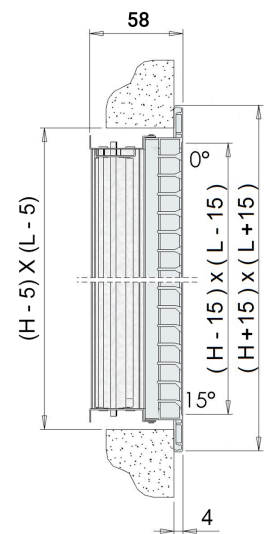
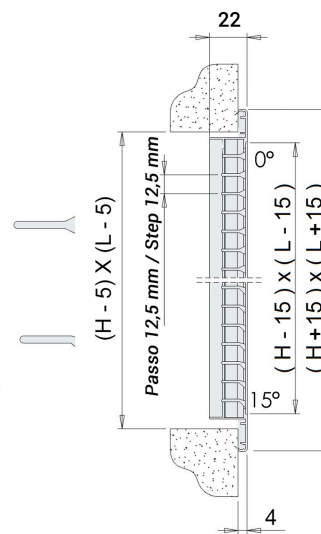
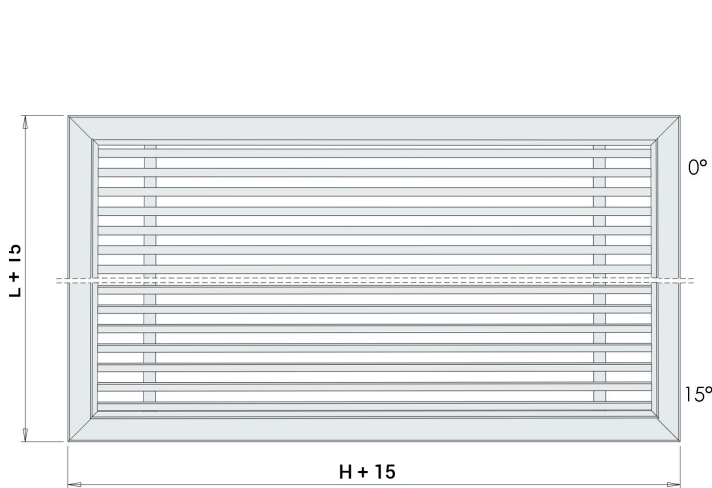


EBLR 20/0°



EBLR 20/15°

EBLR 20/0° - 20/15° + SC DIMENSIONS



OPERATING DATA:

dimensions LxH	effective section m ²	Vk 3 m/s		Vk 4 m/s		Vk 5 m/s	
		m ³ /h	L1	m ³ /h	L1	m ³ /h	L1
400x75	0,015	160	2,8	213	3,8	266	4,7
500x75	0,019	201	3	268	3,9	335	4,9
600x75	0,022	243	3,1	323	4,1	404	5,1
400x100	0,020	216	2,9	292	3,8	365	4,8
500x100	0,026	276	3	367	4	459	5
600x100	0,031	332	3,1	443	4,2	554	5,2
400x125	0,026	278	2,9	370	3,9	463	4,9
500x125	0,032	350	3,1	467	4,1	583	5,1
600x125	0,039	422	3,2	563	4,2	703	5,3
400x150	0,031	337	3	449	4	561	5
500x150	0,039	424	3,1	566	4,2	707	5,2
600x150	0,047	512	3,4	682	4,3	853	5,4
400x200	0,042	455	3,3	607	4,2	758	5,2
500x200	0,053	573	3,4	764	4,4	955	5,4
600x200	0,064	691	3,6	922	4,5	1152	5,6
Pa		5		10		15	
dB(A)		25 / 32		33 / 39		38 / 44	

Vk: effective speed (m/s)

m³/h: flow rate

Pa: pressure drops in Pascal

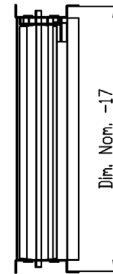
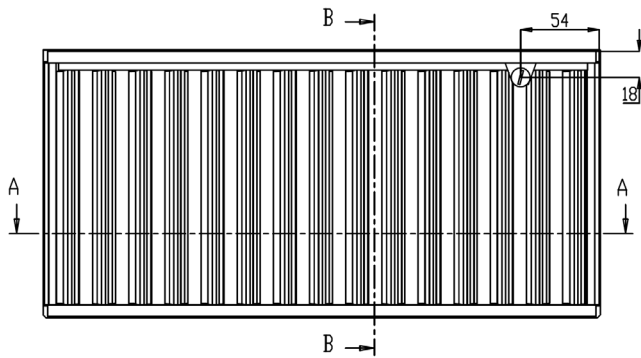
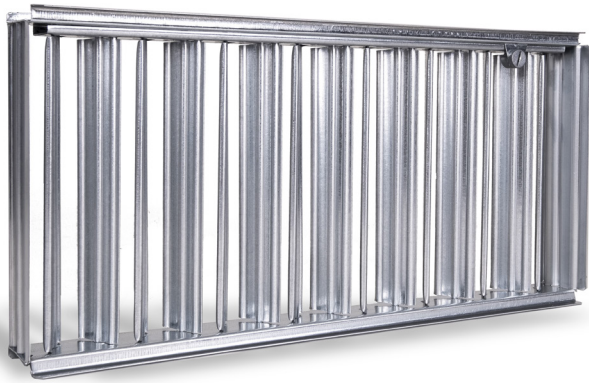
L1 (m): air throw referring to a terminal velocity Vt= 0.25 m/s and with a temperature differential of 10/12°C, installed near the ceiling (not beyond 3 m); for greater distances, correct the air throw by multiplying it by 0.7

dB(A): noise level

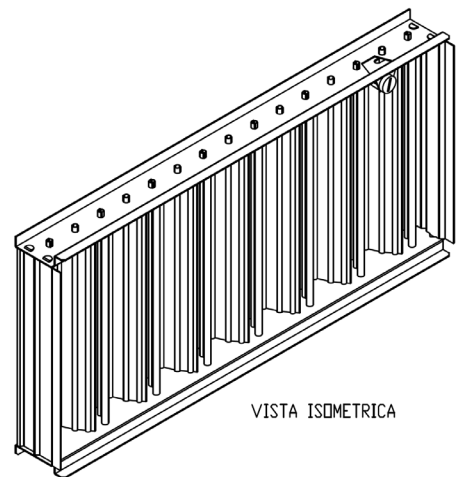
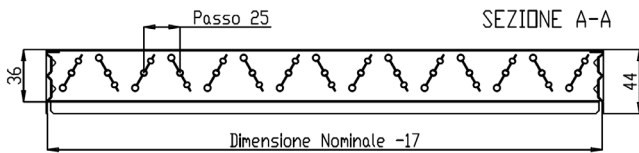
All dimensions are expressed in mm.

SC CALIBRATION DAMPER

- SC galvanized steel calibration damper with fins with opposing movement.



SEZIONE B-B



VISTA ISOMETRICA

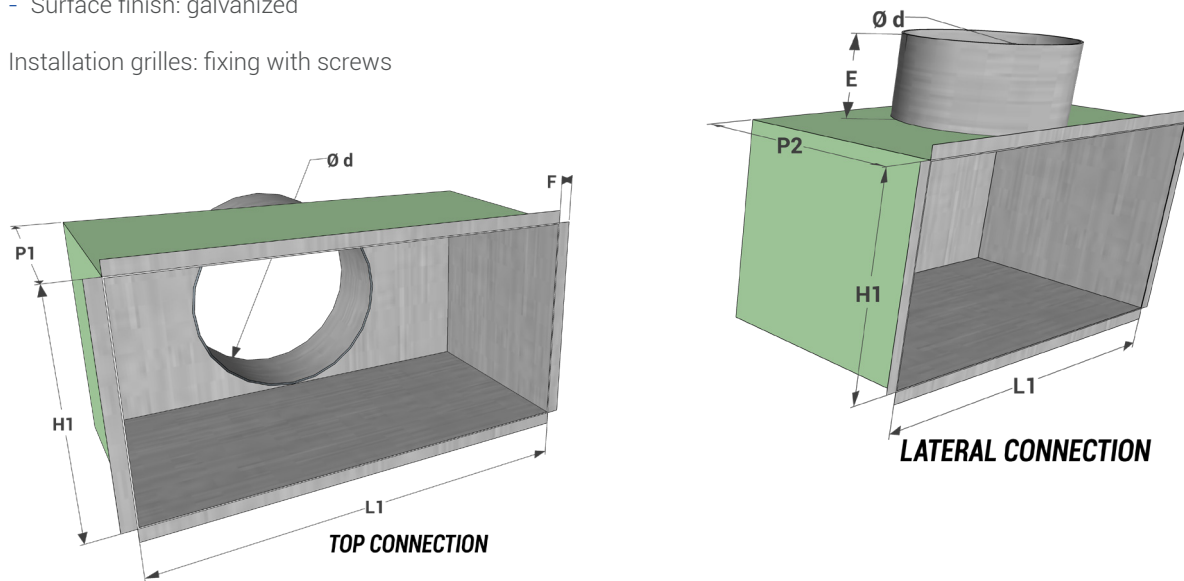
EPI-EPZ PLENUMV



CHARACTERISTICS

- Material: steel
- Surface finish: galvanized

Installation grilles: fixing with screws



model L1 x H1	dimensions L1 x H1	top connection			lateral connection			E	F
		P1	no. connections	Ø d	P2	no. connections	Ø d		
400x75	395x70	-	-	-	150	2	95	80	8
500x75	495x70	-	-	-	150	2	95	80	8
600x75	595x70	-	-	-	150	2	95	80	8
400x100	395x95	200	2	95	200	2	95	80	8
500x100	495x95	200	2	95	200	2	95	80	8
600x100	595x95	200	2	95	200	2	95	80	8
400x125	395x120	200	1	120	230	1	120	80	8
500x125	495x120	200	2	120	230	2	120	80	8
600x125	595x120	200	2	120	230	2	120	80	8
400x150	395x145	200	1	145	250	1	145	80	8
500x150	495x145	200	2	145	250	2	145	80	8
600x150	595x145	200	2	145	250	2	145	80	8
400x200	395x195	200	1	195	300	1	195	80	8
500x200	495x195	200	2	195	300	2	195	80	8
600x200	595x195	200	2	195	300	2	195	80	8