

# HIDDEN MULTI-SLOT LINEAR DIFFUSERS



## Series EDLS-EDLSB

Hidden linear diffuser with single or multi slots, width 20 or 30 mm, with aluminium aerodynamic profile and adjustable deflectors for optimal air throw control. Also available with equalizer and sliding damper.

### FEATURES

Material: aluminium;  
EDLS finish: RAL9005 black painted aluminium;  
EDLSB finish: RAL9016 white painted aluminium;  
Slots number: from 1 to 3;  
Slots width: 20 or 30 mm;

Installation: by plenum box with mounting bridge, ceiling finishing with anti-crack tape on the frame and subsequent plaster skimming.

Possible dimensions in one piece:

- Minimum length 300 mm;
- Maximum length 2000 mm;

### USE

Diffuser suitable for both air supply and exhaust in large rooms. Its modularity allows great freedom of design.

### MODELLI

- EDLS10-FA - EDLSB10-FA hidden linear diffusers 20 mm slot without deflectors (exhaust).
- EDLS20-FA - EDLSB20-FA hidden linear diffusers 20 mm slot with deflectors (supply).
- EDLS30-FA - EDLSB30-FA hidden linear diffusers 20 mm slot without deflectors, with sliding damper (exhaust).
- EDLS40-FA - EDLSB40-FA hidden linear diffusers 20 mm slot with deflectors and sliding damper (supply).
- EDLS10-FB - EDLSB10-FB hidden linear diffusers 30 mm slot without deflectors (exhaust).
- EDLS20-FB - EDLSB20-FB hidden linear diffusers 30 mm slot with deflectors (supply).
- EDLS30-FB - EDLSB30-FB hidden linear diffusers 30 mm slot without deflectors, with sliding damper (exhaust).
- EDLS40-FB - EDLSB40-FB hidden linear diffusers 30 mm slot with deflectors and sliding damper (supply).

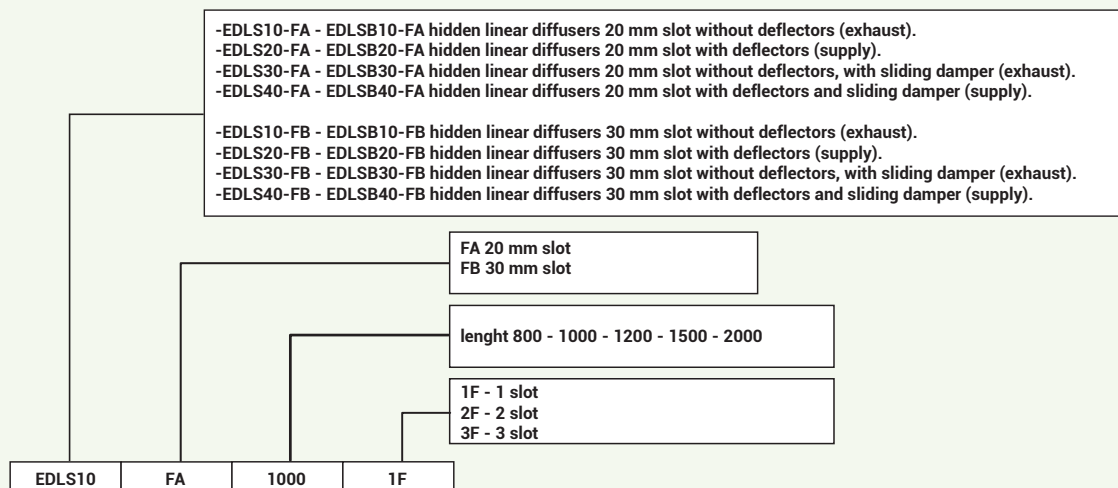
### ACCESSORI

- galvanized plenum box;
- insulated plenum box;
- mounting bridge;
- continues line kit.

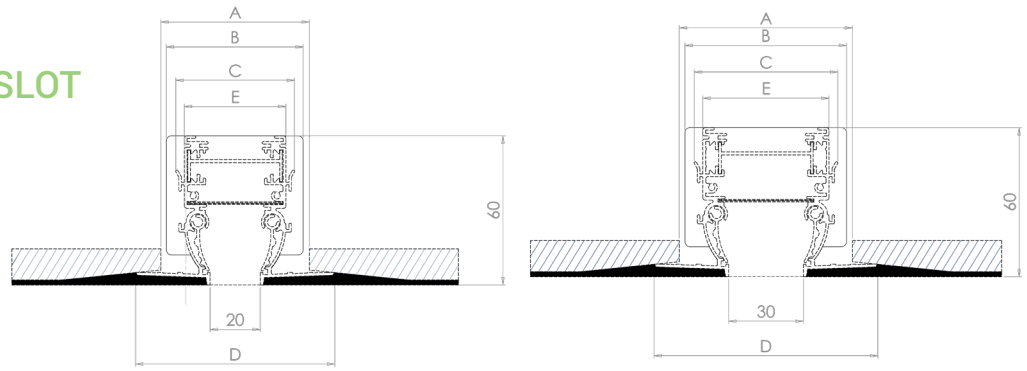
### ON DEMAND

- Possibility of installation in continuity;
- Plenum box with ovalised rear connection.

### CODE



## EDSH - EDLSB ONE SLOT DIMENSIONS

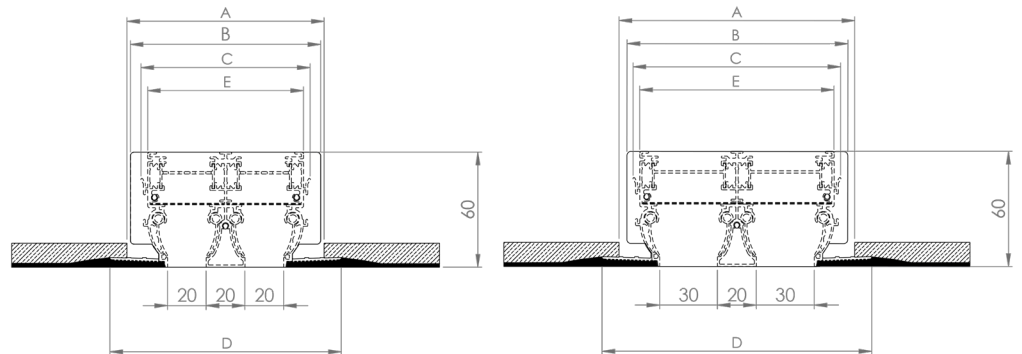


**EDLS-FA 1 slot 20 mm**  
**EDLSB-FA 1 slot 20 mm**

**EDLS-FB 1 slot 30 mm**  
**EDLSB-FB 1 slot 30 mm**

Slot	L	A	B	C	E	D	number of fixing brackets
20 mm slot	800	60	55	48	41	80	2
	1000						2
	1200						2
	1500						2
	2000						2
30 mm slot	800	70	65	58	51	90	2
	1000						2
	1200						2
	1500						2
	2000						2

## EDLS - EDLSB TWO SLOT DIMENSIONS

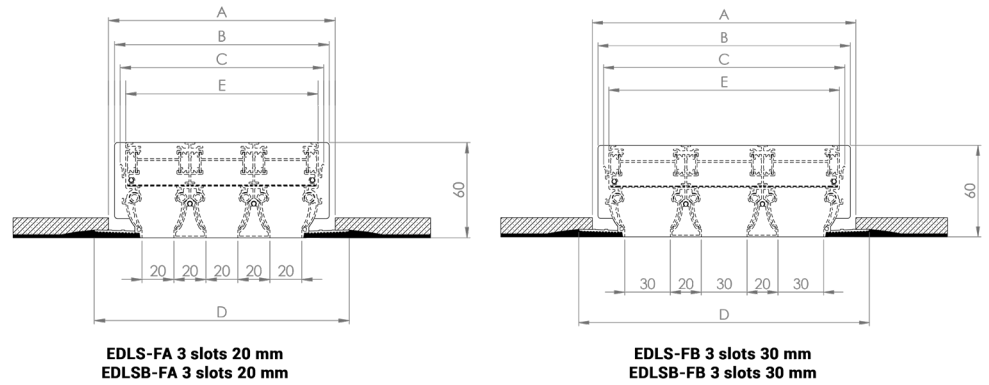


**EDLS-FA 2 slots 20 mm**  
**EDLSB-FA 2 slots 20 mm**

**EDLS-FB 2 slots 30 mm**  
**EDLSB-FB 2 slots 30 mm**

Two slots	L	A	B	C	D	E	number of fixing brackets
20 mm slots	800	100	95	88	120	81	2
	1000						2
	1200						2
	1500						2
	2000						2
30 mm slots	800	120	115	108	140	101	2
	1000						2
	1200						2
	1500						2
	2000						2

## EDLS - EDLSB THREE SLOT DIMENSIONS



three slots	L	A	B	C	D	E	number of fixing brackets
20 mm slots	800	140	135	128	160	121	2
	1000						2
	1200						2
	1500						2
	2000						3
30 mm slots	800	170	165	158	190	151	2
	1000						2
	1200						2
	1500						2
	2000						3

## OPERATING DATA

Data referring to 1m long diffusers, with a terminal throw speed  $V_t=0.25$  m/s, in ceiling installations and with lateral launch with coanda effect.

Data referring to diffusers without damper or with open sliding damper.

Data referring to diffusers with deflectors in the working position with a 50% reduction of the air passage surface.

The position of the deflectors reduces the effective cross-section. When the deflectors are fully open, or when the diffuser is used for exhaust air, the flow rates (expressed in  $m^3/h$ ) indicated in the table can change.

slots	slot dimension	effective cross-section $m^2$	Air flow and throw						
			$m^3/h$	70	105	140	175	210	245
1 slot	20 mm slot	0,0097	L(m)	1.8	2.7	3.6	4.5	5.4	6.3
			$m^3/h$	105	158	210	262	315	368
	30 mm slot	0,0146	L(m)	1,6	2,5	3,4	4,2	5	5,8
		noise level	dB(A)	<20	22	32	37	44	48
2 slots	20 mm slot	0,0194	L(m)	2,6	3,9	5,1	6,4	7,7	9,0
			$m^3/h$	210	316	420	524	630	736
	f30 mm slot	0,0292	L(m)	2,3	3,6	4,9	6,0	7,1	8,3
		noise level	dB(A)	<20	24	34	39	46	50
3 slots	20 mm slot	0,0291	L(m)	3,9	5,8	7,7	9,6	11,6	13,5
			$m^3/h$	315	474	630	786	945	1104
	30 mm slot	0,0438	L(m)	3,4	5,4	7,3	9,0	10,7	12,4
		noise level	dB(A)	<20	26	36	41	48	52
Vk			m/s	2	3	4	5	6	7
pressure drops			Pa	7	15	26	41	59	80

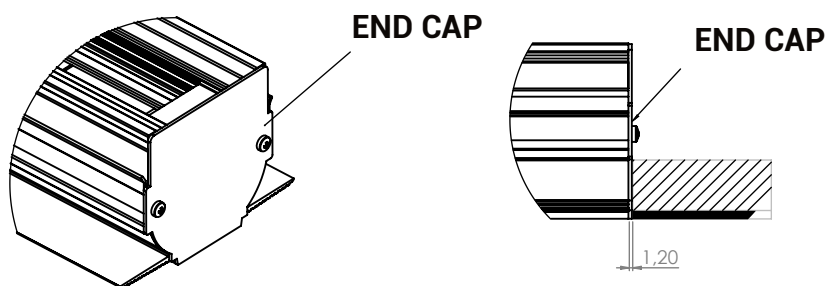
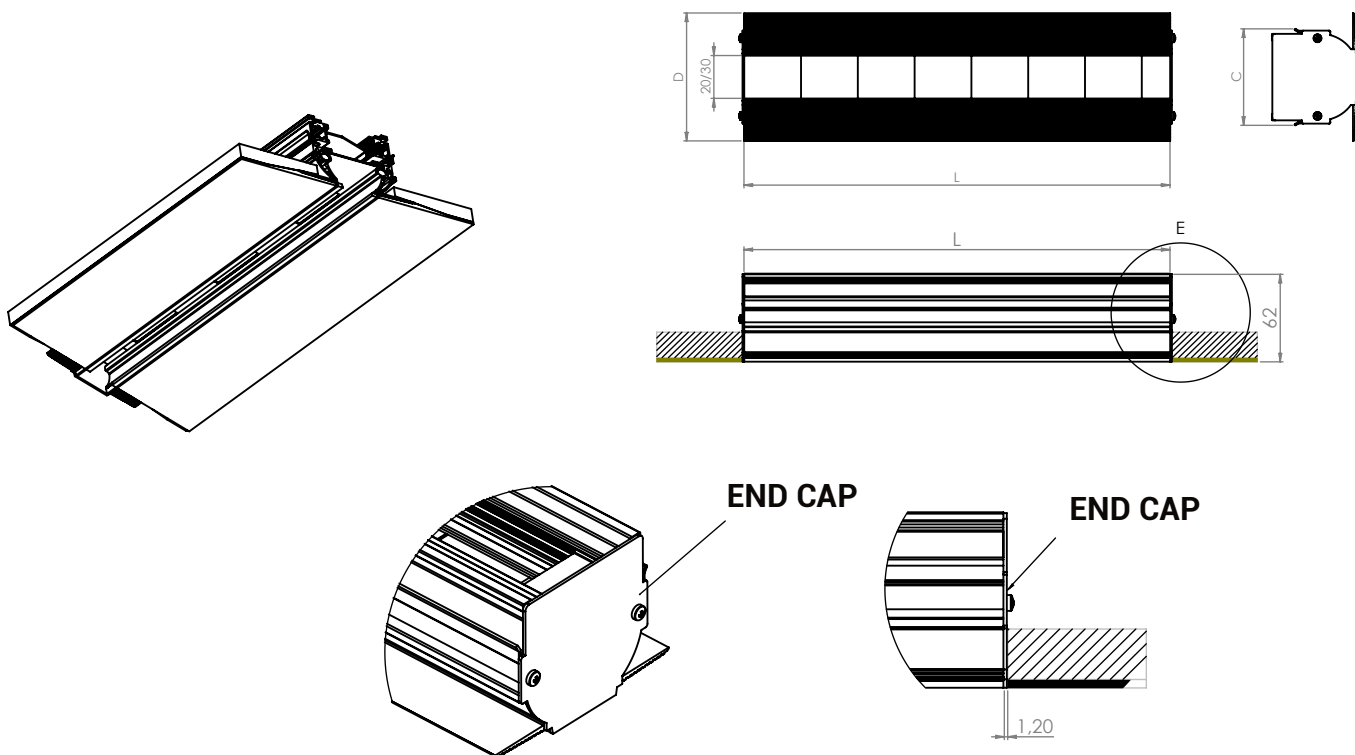
Vk: effective speed (m/s)  
 $m^3/h$ : air flow rate

Pa: pressure drops  
in Pascal

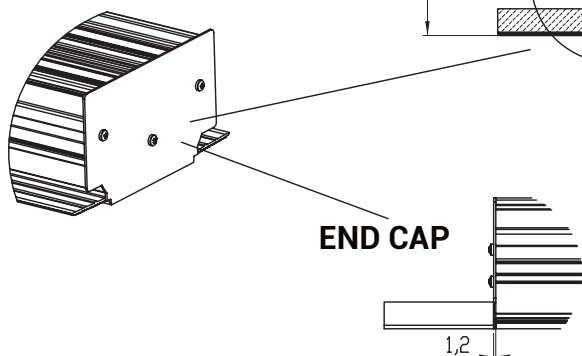
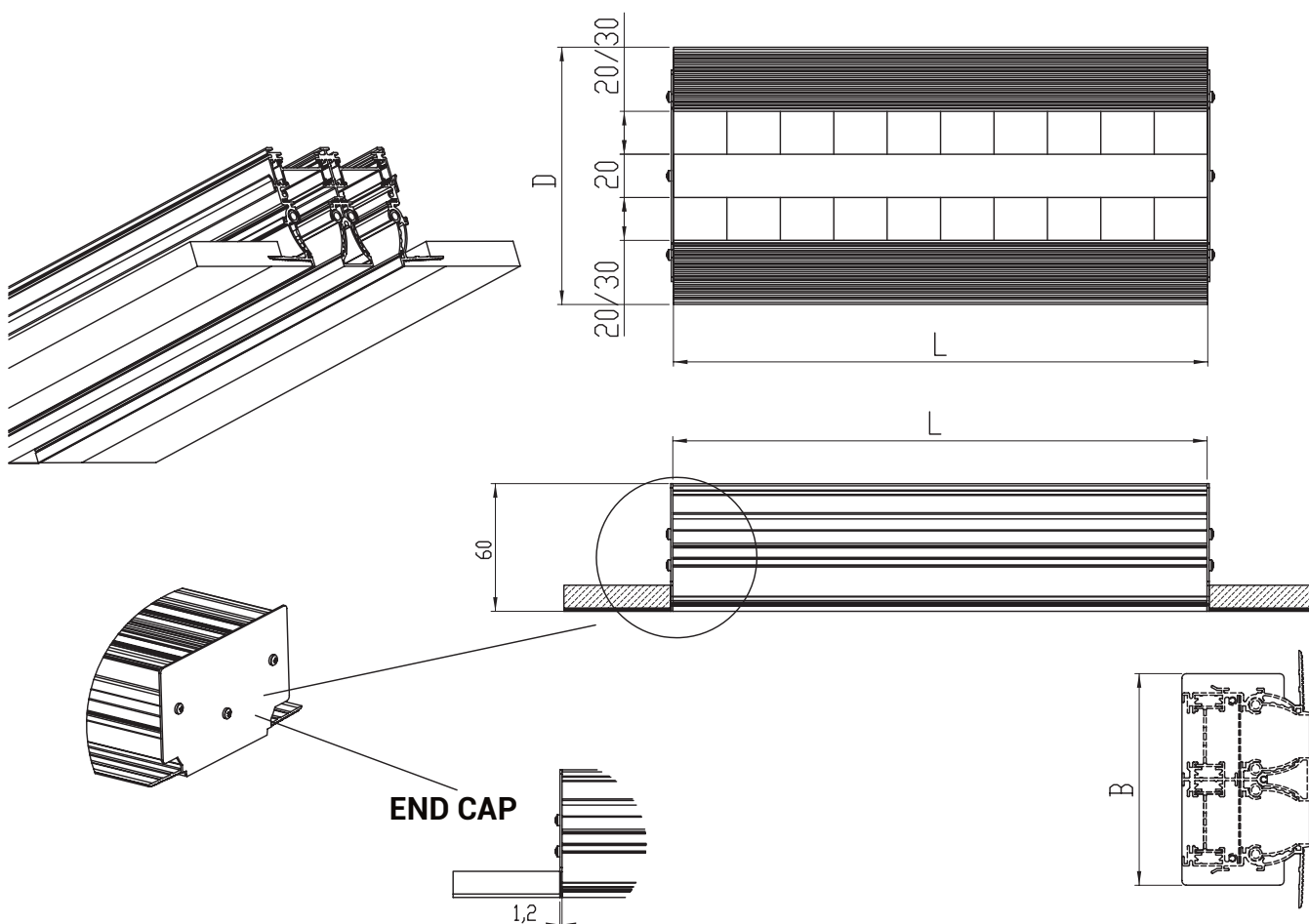
L(m): air throw in meters

dB(A): noise level

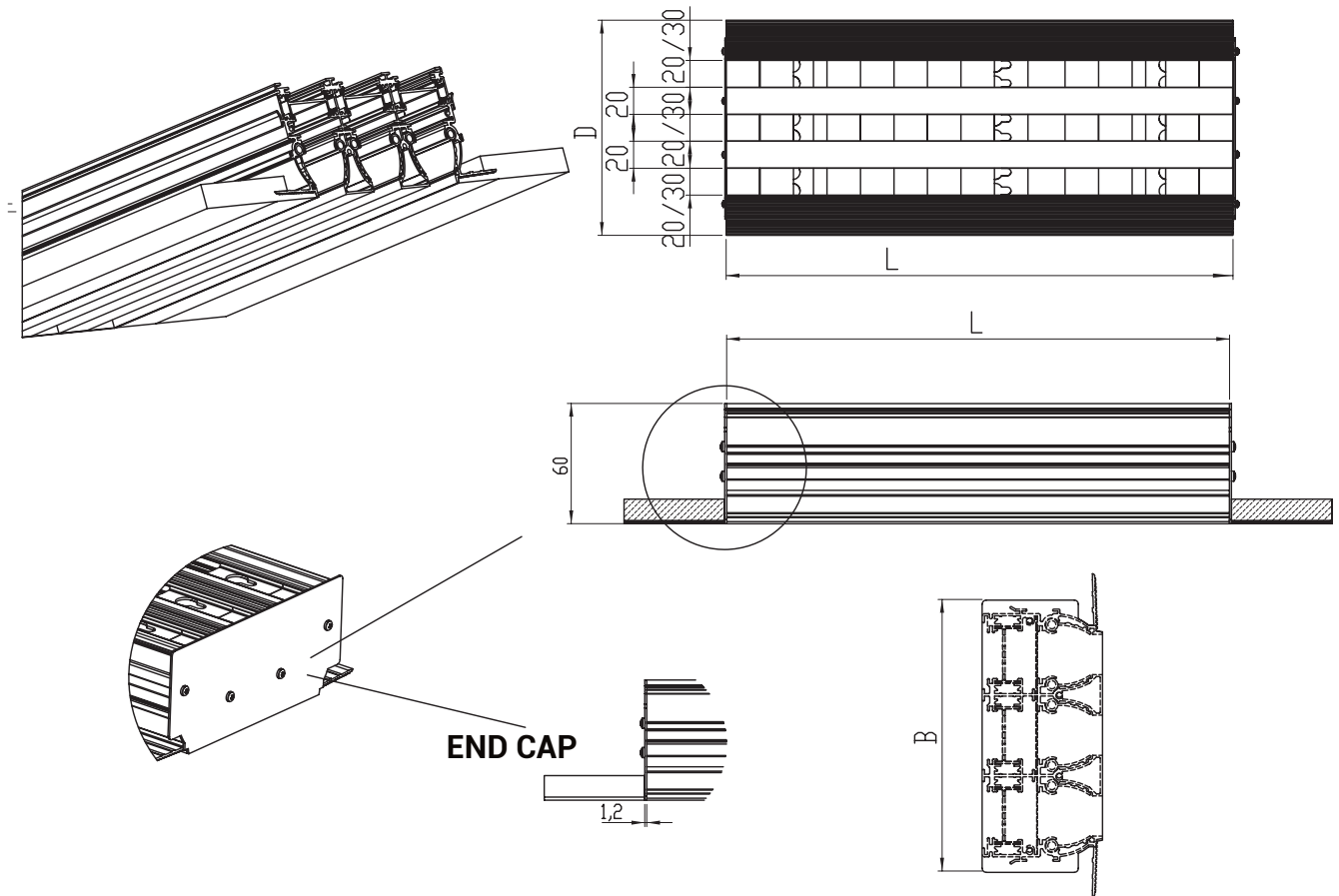
## DIMENSIONAL DETAILS OF THE 1-SLOT DIFFUSER



## DIMENSIONAL DETAILS OF THE 2-SLOT DIFFUSER



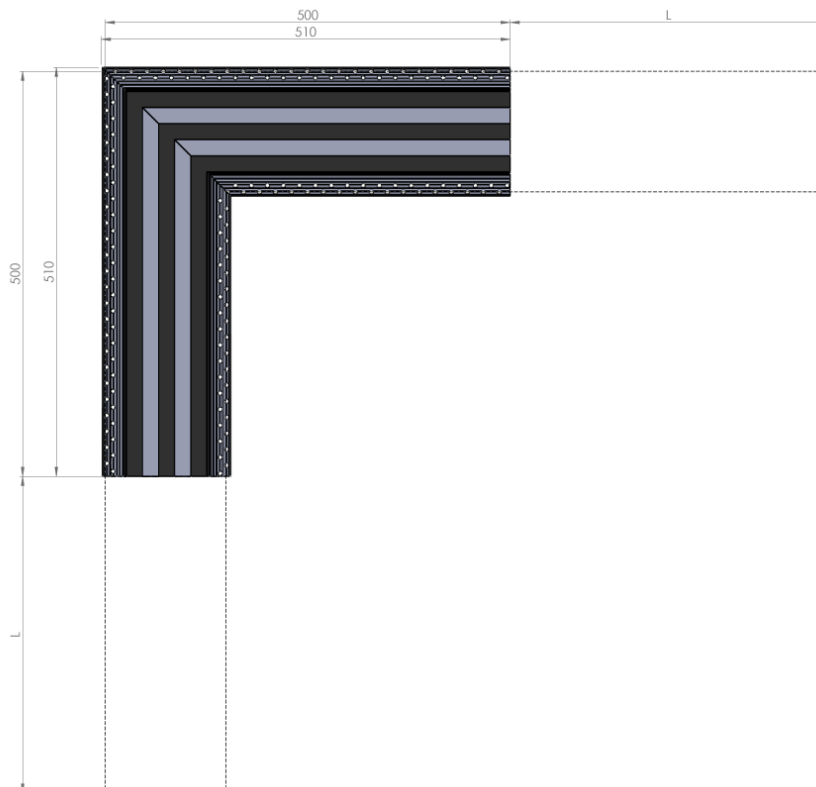
## DIMENSIONAL DETAILS OF THE 3-SLOTS DIFFUSER



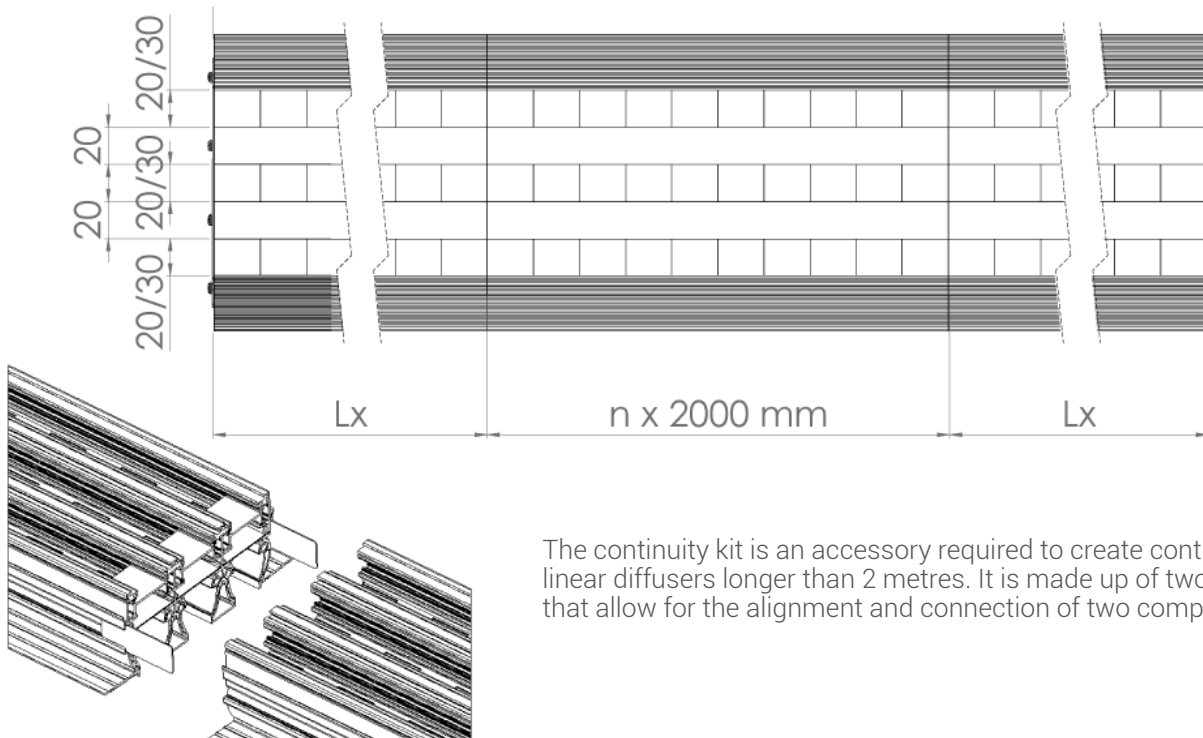
## CORNER CONNECTION

Aesthetic connecting element between the two linear diffuser lines with a 90° angle and 500 mm length on each side. It has no ventilation features.

All measurements are expressed in mm.

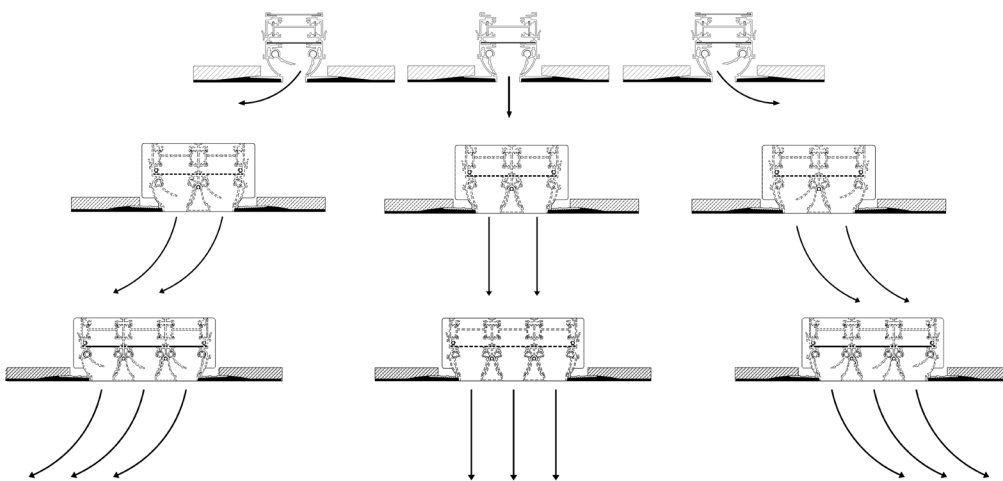


## CONTINUITY KIT

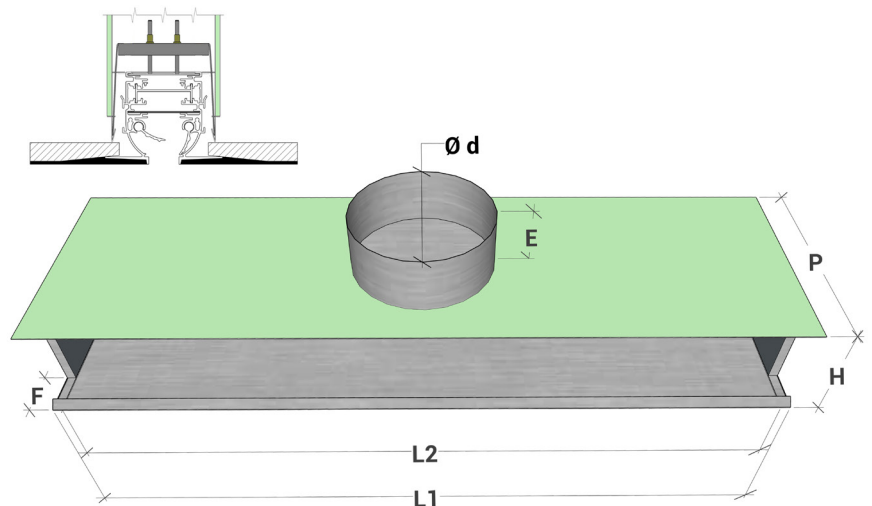


The continuity kit is an accessory required to create continuous lines of linear diffusers longer than 2 metres. It is made up of two junction plates that allow for the alignment and connection of two components of the line.

## AIR THROW CHARACTERISTICS



## PLENUM DIMENSIONS AND FIXING BRACKET SYSTEM



1 SLOT	L	Plenum dimensions							
		L1	L2	No. of connections	Ø d	P	H	E	F
20 mm slot	800	800	770	1	145	240	60	80	56
	1000	1000	970	1					
	1200	1200	1170	2					
	1500	1500	1470	2					
	2000	2000	1970	2					
30 mm slot	800	800	770	1	145	240	70	80	56
	1000	1000	970	1					
	1200	1200	1170	2					
	1500	1500	1470	2					
	2000	2000	1970	2					

2 SLOTS	L	Plenum dimensions							
		L1	L2	No. of connections	Ø d	P	H	E	F
20 mm slot	800	800	770	2	145	300	100	80	56
	1000	1000	970	2					
	1200	1200	1170	2					
	1500	1500	1470	2					
	2000	2000	1970	2					
20 mm slot	800	800	770	2	198	300	120	80	56
	1000	1000	970	2					
	1200	1200	1170	2					
	1500	1500	1470	2					
	2000	2000	1970	2					

3 SLOTS	L	Plenum dimensions							
		L1	L2	No. of connections	Ø d	P	H	E	F
20 mm slot	800	800	770	2	198	300	140	80	56
	1000	1000	970	2					
	1200	1200	1170	2					
	1500	1500	1470	2					
	2000	2000	1970	2					
30 mm slot	800	800	770	2	198	300	160	80	56
	1000	1000	970	2					
	1200	1200	1170	2					
	1500	1500	1470	2					
	2000	2000	1970	2					